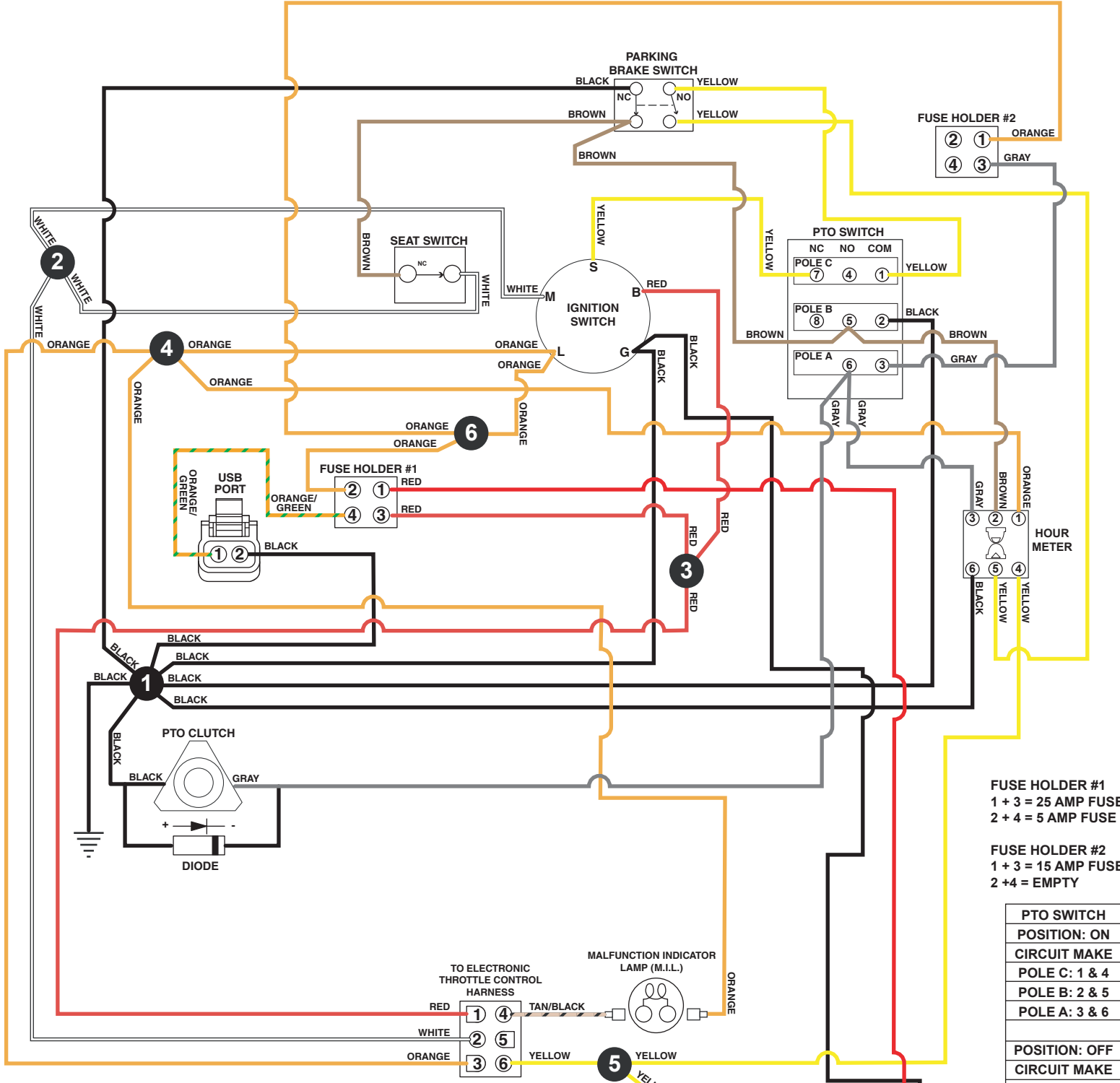


(If internal schematic of the switch is not shown, the image of the switch represents the back view of the connector as it is connected to the switch.)



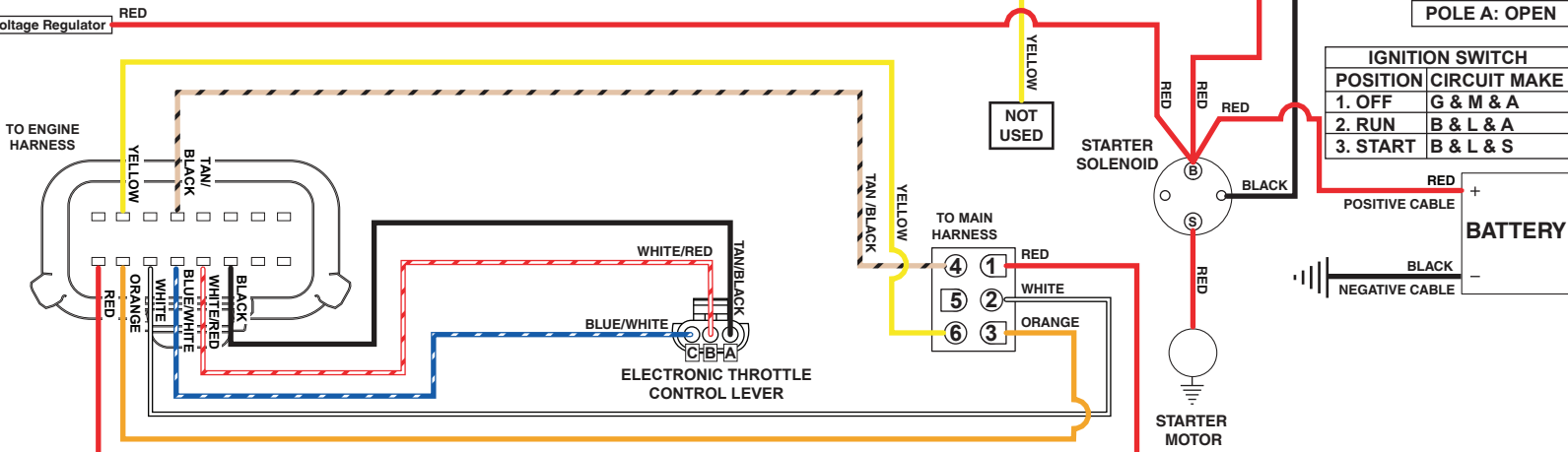
**FUSE HOLDER #1**  
 1 + 3 = 25 AMP FUSE  
 2 + 4 = 5 AMP FUSE

**FUSE HOLDER #2**  
 1 + 3 = 15 AMP FUSE  
 2 + 4 = EMPTY

PTO SWITCH	
POSITION: ON	CIRCUIT MAKE
POLE C: 1 & 4	POLE B: 2 & 5
POLE A: 3 & 6	
POSITION: OFF	
CIRCUIT MAKE	POLE C: 1 & 7
POLE B: 2 & 8	POLE A: OPEN

IGNITION SWITCH	
POSITION	CIRCUIT MAKE
1. OFF	G & M & A
2. RUN	B & L & A
3. START	B & L & S

84011124 / ELECTRONIC THROTTLE CONTROL HARNESS



Voltage Regulator

TO ENGINE HARNESS

ELECTRONIC THROTTLE CONTROL LEVER

STARTER SOLENOID

STARTER MOTOR

BATTERY  
 POSITIVE CABLE (+)  
 NEGATIVE CABLE (-)