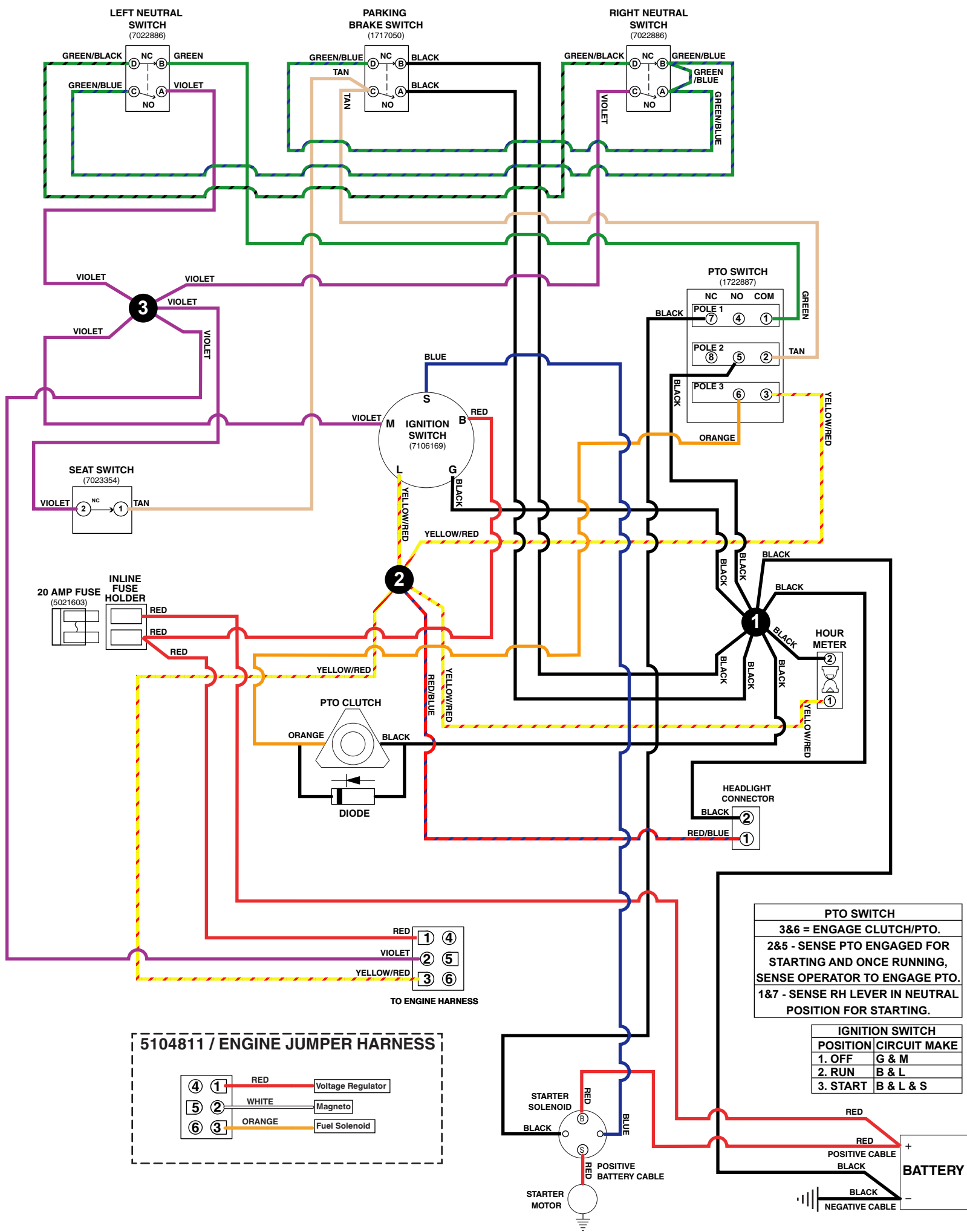


80097605 MAIN WIRE HARNESS - KAWASAKI FR730V ENGINES

80097605B

(If internal schematic of the switch is not shown, the image of the switch represents the back view of the connector as it is connected to the switch.)



PTO SWITCH	
3&6	ENGAGE CLUTCH/PTO.
2&5	SENSE PTO ENGAGED FOR STARTING AND ONCE RUNNING, SENSE OPERATOR TO ENGAGE PTO.
1&7	SENSE RH LEVER IN NEUTRAL POSITION FOR STARTING.

IGNITION SWITCH POSITION CIRCUIT MAKE	
1. OFF	G & M
2. RUN	B & L
3. START	B & L & S

