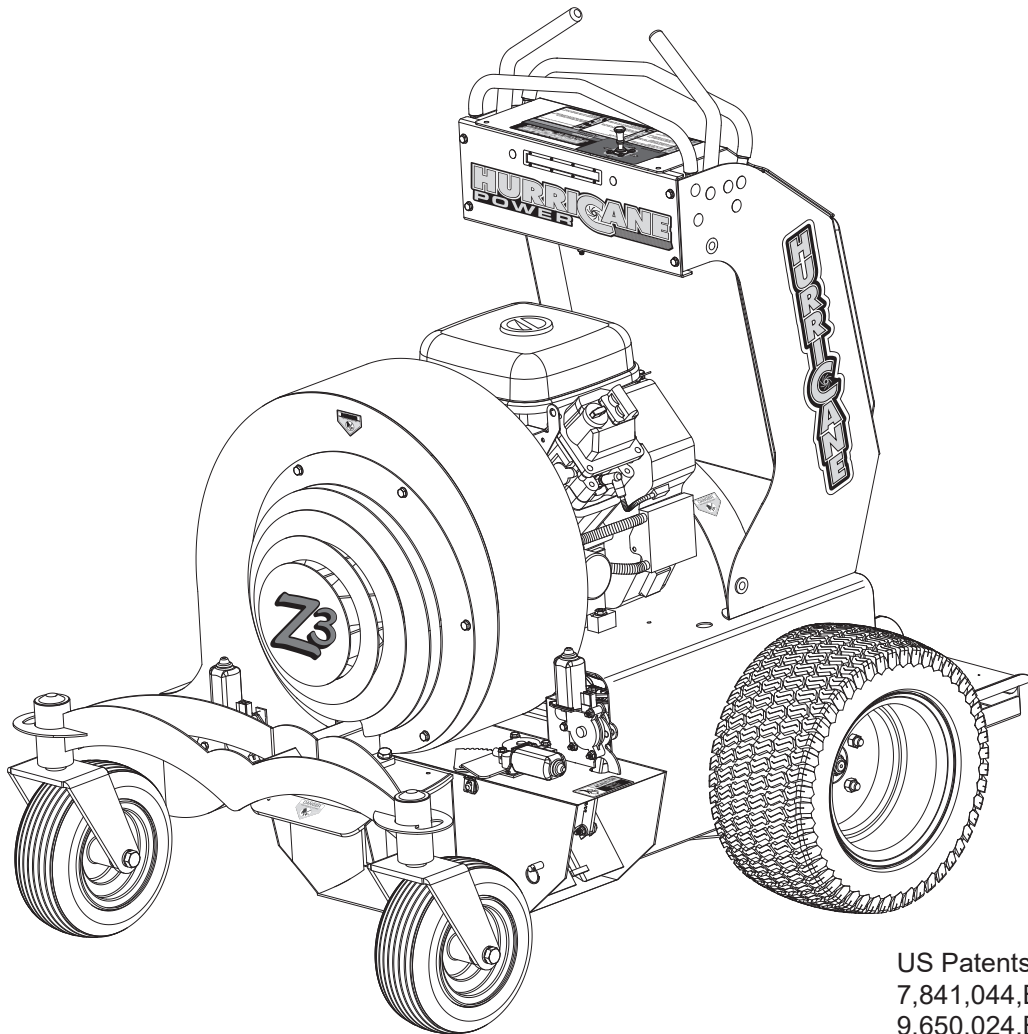


HURRICANE POWER

Commercial Debris Blower

Z3 Parts Manual

S/N Z17507 - Z17895



US Patents
7,841,044,B1
9,650,024,B2

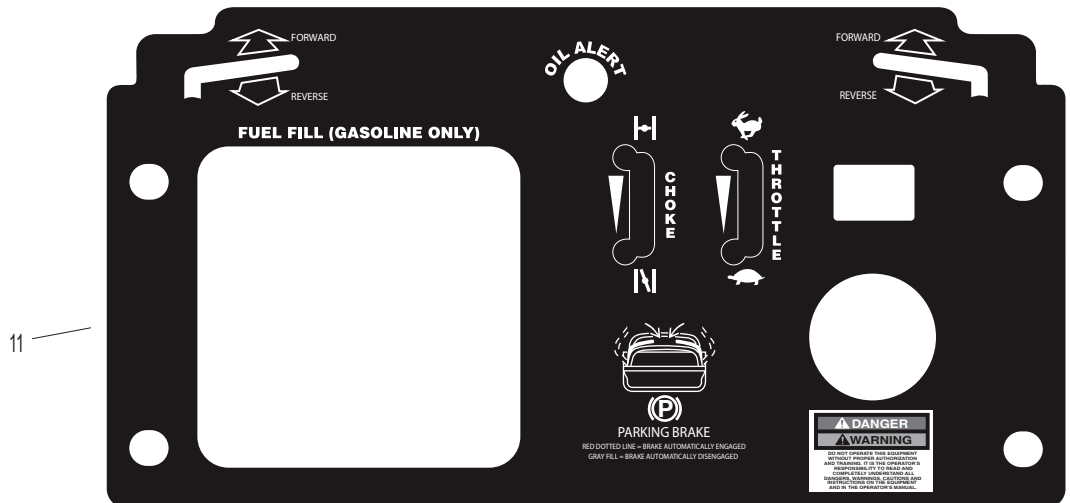
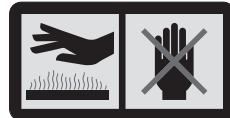
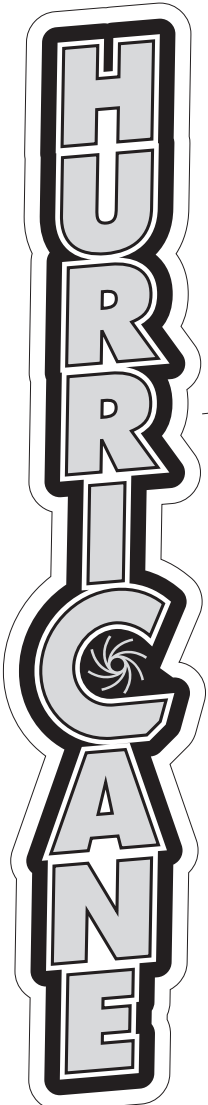
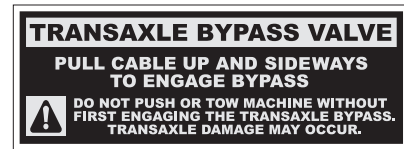
DECALS

Decals

Hurricane Power

	Part Number	Description	Quantity		Part Number	Description	Quantity
1	X3-16-4201	Front Logo Decal	1	8	425-4209	Hydro Decal	1
2	ZP15025	Data Plate	1	9	425-4206	Danger Decal	5
3	ZP4210	Joystick Dash Decal	1	10	425-4204	Made in the USA Decal	1
4	425-4205	Hot Decal	1	11	425-4211	Dash Controls Decal	1
5	X3-16-4202	Left/Right Upright Decal	2	12	314-17-42100	Trans Bypass	2
6	ZP15024	Safety Cover Decal	1	13	X3-4213	Emergency Brake Release	1
7	425-4208	Pinch Decal	2				

DECALS



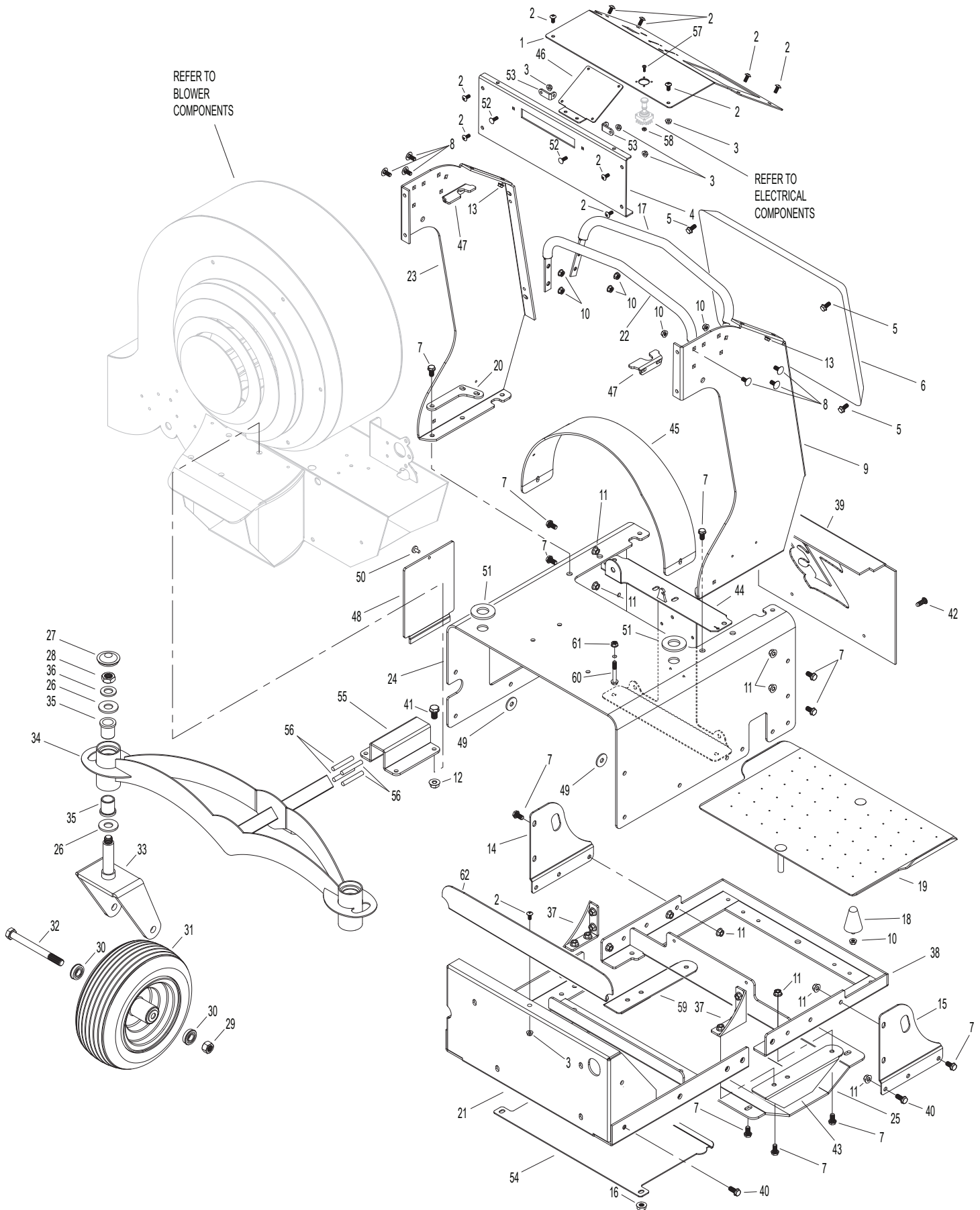
CHASSIS COMPONENTS

Chassis

Hurricane Power

Part Number	Description	Quantity	Part Number	Description	Quantity		
1	ZF17452	Dash	1	32	ZP15028	Bolt 5/8-11 x 8.5"	2
2	15102	1/4-20 x 3/4 Flange Bolt	10	33	ZFT15026	Caster Fork	2
3	15101	1/4-20 Flange Nut	12	34	ZFT15029	Front End Frame Assembly	1
4	ZFT17451	Dash Front Panel	1	35	0117-162024	Plastic Bushing	4
5	15108	5/16-18 x 3/4 Flange Bolt	6	36	15137	3/4 Machine Bushing	2
6	112-18-1812	Pad	1	37	X3-14-3017	Hydro 90° Bracket	2
7	15112	3/8-16 x 3/4 Flange Bolt	24	38	ZF15009	Rear Chassis Frame	1
8	15109	5/16-18 x 3/4 Carriage Bolt	12	39	ZF15013	Toe Kick	1
9	ZFT17433	Joystick Upright, Left	1	40	15062	3/8-16 x 1 Flange Bolt	12
10	15107	5/16-18 Flange Nut	6	41	15064	1/2-13 x 1-1/4 Flange Bolt	4
11	15111	3/8-16 Flange Nut	22	42	15157	5/16-18 x 1/2 Self Tapping Screw	2
12	15046	1/2-13 Flange Nut	4				
13	15061	1/4-20 Riv-Nut	2	43	XF1743	Bottom Chassis Bracket Left	1
14	X310-T2006	Right Side Plate Tie Down	1	44	ZF15051	Hydro I-Beam	1
15	X310-T2018	Left Side Plate Tie Down	1	45	ZF15014	Belt Guard	1
16	15056	1/2-13 Nylock Jamb Nut	1	46	ZF17442	Relay Mount Bracket	1
17	16-T30502	Reverse Stop	1	47	X3-1440	Neutral Centering Bracket	2
18	425-16-11100	Rubber Mount	4	48	X3-T1454	Battery Door	1
19	X310-2011	Foot Pad	1	49	X3-1455	Motor Box Spacer	2
20	ZF15010	Upper I-Beam Mount	2	50	15313	1/4-20 x 1/2 Cap Screw With Plastic Knob	1
21	ZF15008	Front Chassis Frame	1				
22	16-T30501	Forward Stop	1	51	5187	Rubber Grommet	2
23	ZFT17432	Joystick Upright, Right	1	52	17109	1/4-20 x 3/4 Carriage Bolt	4
24	ZFT15007	Motor Box	1	53	ZF17043	Headlight Mount "L" Bracket	2
25	X3-1445	Skid Plate	1	54	ZF1445	Debris Guard	1
26	15136	1 x 10 Gauge Machine Bushing	4	55	16-2002	Front End Torsion Plate	1
				56	16-2003	Rubber Cord (Set of 4)	1
27	15161	Plastic Grease Cap	2	57	16012	#8-32 x 3/8 Phillips Head Screw	4
28	15139	3/4-10 Nylon Jamb Nut	2				
29	15581	5/8-11 Nylock Nut	2	58	16106	#8-32 Keps Nut	4
30	109-17-7011	Caster Bearings	4	59	XF1740	Bottom Chassis Bracket Right	1
31	ZP15027	Caster Wheel & Tire with Bearing (For Serial Numbers Up to Z17569)	2	60	ZP16225	5/16-18 x 2-1/4 Flange Hex Bolt	4
				61	17107	5/16-18 Serrated Flange Nut	4
	ZP15027-5	Caster Wheel & Tire with Bearing (For Serial Numbers Z17570 and Later)	2	62	XF1745	Forward Debris Guard	1

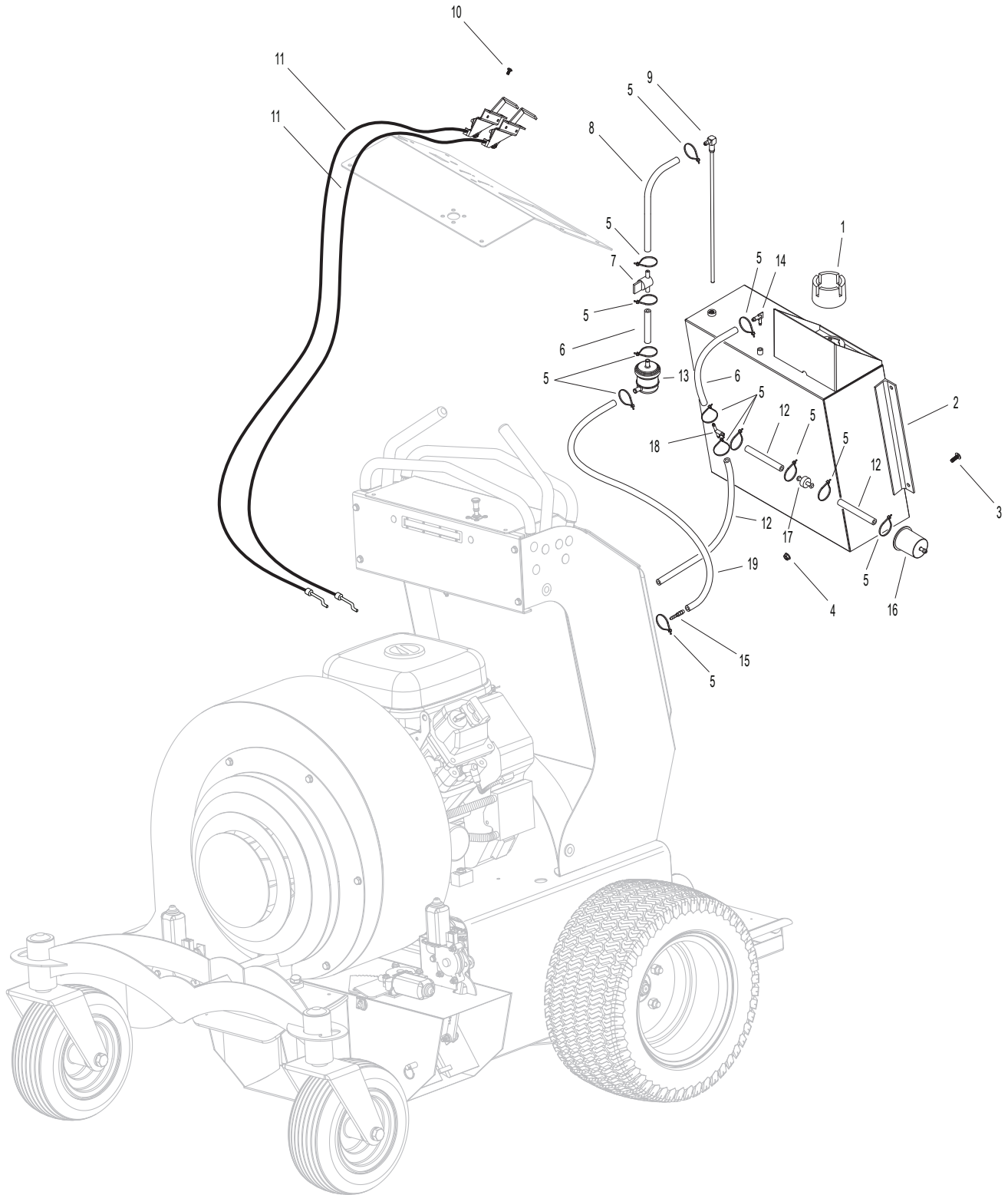
CHASSIS COMPONENTS



FUEL AND THROTTLE COMPONENTS

	Part Number	Description	Quantity		Part Number	Description	Quantity
1	1101-73601	Fuel Cap	1	11	425-1041-76010	Throttle/Choke Cable	2
2	ZF15034	Fuel Tank	1	12	15036	Fuel Line (2-1/2")	3
3	15091	1/4-20 x 3/4 FPHMS	4	13	110-17-5403	Fuel Filter	1
4	15101	1/4-20 Flange Nut	4	14	X3-TL522	Plastic Elbow	1
5	N/A	Zipties	13	15	110-17-5407	1/4 x 3/16 Reducer	1
6	ZP15038	Fuel Line (4")	2	16	110-17-5404	Emissions Filter	1
7	1101-73805	Ball Valve Fuel Shutoff	1	17	110-17-5405	Check Valve	1
8	ZP15039	Fuel Line (6")	1	18	110-17-5406	1/4 Tee	1
9	1101-73811	Fuel Pickup	1	19	N/A	Fuel Line (5")	1
10	15090	10-32 BT Hex Screw	4				

FUEL AND THROTTLE COMPONENTS



HYDROSTATIC COMPONENTS

Hydro

Hurricane Power

Part Number	Description	Quantity	Part Number	Description	Quantity		
1	139530	Control Grip 9"	2	35	15124	1/2 SAE Flat Washer	1
2	15162	3/32" Cotter Pin	4	36	15046	1/2-13 Flange Nut	1
3	14-40-2011	Control Handle	2	37	ZF15052	Idler Arm	1
4	15140	1/4-28 Nylock Nut	4	38	ZP17013	Muffler Kit	1
5	15315	1/2 x 4-1/2 Clevis Pin	2	39	ZP17012	Muffler Clamp	1
6	0117-081216	Plastic Bushings	8	40	107-17-3213	5/16-18 x 1/2" Set Screw	2
7	X3-1437	Lower Control Switch Bracket Right	1	41	15054	1/4 x 1-1/4 Key Stock	1
8	X3-1438	Lower Control Switch Bracket Left	1	42	ZP15019	Drive Pulley	1
9	15081	1/4-28 Right Hand Nut	2	43	ZP15017	Drive Belt - A51	1
10	2500-2100	1/4-28 x 21" Rod	2	44	ZP15020	Engine - Vanguard 35 HP	1
11	15086	1/4-28 Left Hand Nut	2	45	ZF1644	Spacer Plate	1
12	103-17-4635	1/4-28 x 3" Turnbuckle	2	46	103-17-4633	1/4-28 Right Hand 90 Knuckle	2
13	ZP16054	4-1/2" Control Rod	2	47	425-103-174430	Dampener	2
14	106-17-4637	1/4-28 Ball Joint LH	2	48	ZP15041	Dampener Ball Stud (Not Shown)	4
15	X3-1520	Transmission Control Arm	2	49	X3-72123ZT	Fan Pulley Kit	2
16	ZF15048	Hydro Tank Bracket	1	50	LPRP-19XX	Right Hydro Pump	1
17	103-17-4429	Ball Stud	4	51	HPRP-19XX	Left Hydro Pump	1
18	15107	5/16-18 Flange Nut	6	52	ZP15016	22 x 11-10 Drive Tire and Rim	2
19	ZP15047	Hydro Tank	2			(For Serial Numbers Up to Z17552)	
20	15102	1/4-20 x 3/4 Flange Bolt	4			22 x 11-10 Drive	2
21	15101	1/4-20 Flange Nut	4			Tire and Rim	
22	15083	Oetiker Clamp	4		ZP15016-5	(For Serial Numbers Z17553 and Later)	
23	ZP15050	Hydro Hose	2			1/2-20 Lug Nut	8
24	HU002	Hydro Fitting	2			5/16 Lock Washer	2
25	ZP15018	Oil Drain	1			Dampener Clip	4
26	ZP15049	Hydro Neutral Release Cable	2	53	15088	Hydro Oil Filter	2
27	15111	3/8-16 Flange Nut	12	54	15082	1/2-13 Nylock Nut	1
28	15087	3/8-16 x 2-1/2 Flange Bolt	8	55	103-17-4431	3/8-16 x 1 Serrated Flange Bolt	4
29	15072	3/8-16 x 9-1/2 Hex Bolt	1	56	425-52114	5/16-18 x 3/4" Carriage Bolt	2
30	X3-1436	Hydro Spacer Tube	1	57	15047	3/8-16 x 3/4" Flange Bolt	2
31	15060	1/2 x 2-1/2 Clevis Pin	2	58	15062		
32	16127	#98 Idler Spring	1	59	15109		
33	15303	1/2-13 x 2 Hex Bolt	2	60	15112		
34	17-4101	Idler Pulley	1				

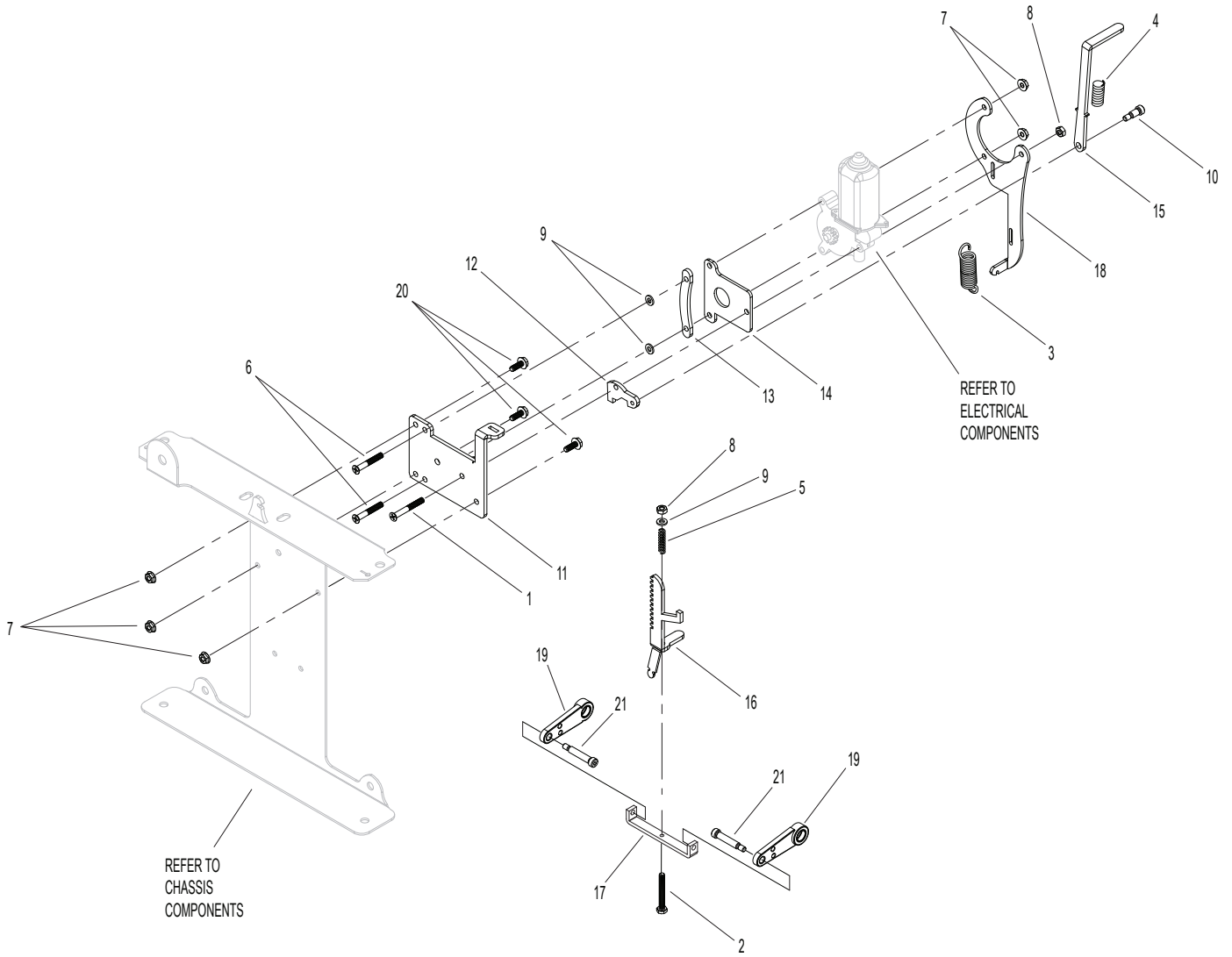
BRAKE ASSEMBLIES

Brakes

Hurricane Power

	Part Number	Description	Quantity		Part Number	Description	Quantity
1	15306	1/4-20 x 2 Phillips Head Machine	1	11	X3-1511	Brake Backing Plate	1
2	15307	1/4-20 x 2 Hex Bolt	1	12	X3-1512	Brake Cam	1
3	15128	#29 Extension Spring	1	13	X3-1513	Brake Spacer Bar	1
4	15308	#21 Compression Spring	1	14	X3-1514	Cam Cover Plate	1
5	15309	#29 Compression Spring	1	15	ZF15053	Brake Release Arm	1
6	15165	1/4-20 x 1-3/4 Phillips Head Machine Screw	2	16	X3-1516	Brake Gear Rack	1
7	15101	1/4-20 Flange Nut	5	17	X3-1517	Brake Lever Arm	1
8	15067	1/4-20 Nylock Nut	2	18	X3-1518	Switch Mounting Plate	1
9	15316	1/4 Flat Washer	3	19	X3-1519	Hydro Brake Arm	2
10	15310	5/16 x 1/2 Shoulder Bolt	1	20	15102	1/4-20 x 3/4 Flange Bolt	3
				21	153101	5/16 x 1-1/4 Shoulder Bolt	2

BRAKE ASSEMBLIES



BLOWER COMPONENTS

Blower

Hurricane Power

Blower			Hurricane Power				
Part Number	Description	Quantity	Part Number	Description	Quantity		
1	X310-2024	Right Deflector Cover Plate	1	19	15124	1/2 SAE Washer	2
2	ZFT15015	Safety Cover	1	20	15103	1/4-20 x 1-1/2 Flange Bolt	3
3	15108	5/16-18 x 3/4 Flange Bolt	6	21	Z1415001	Deflector Support Rod	1
4	X310-2036	Spacer	4	22	15080	1/4" Lock Washer	4
5	15165	1/4-20 x 1-3/4 Phillips Head Screw	4	23	X310-2052	Deflector Spacer Plate	2
6	ZP17092	7/16-20 x 1-1/2 Hex Bolt	1	24	X310-2039	Right Deflector Gear	1
7	425-1091-2009	Impeller Washer	1	25	15164	Deflector Cover Spacer	4
8	ZF15018	Impeller	1	26	101-10-2028	Rack Keeper	1
9	ZFT15006	Blower Housing	1	27	15102	1/4-20 x 3/4 Flange Bolt	5
10	15098	7/16 Lock Washer	1	28	X310-2040	Forward Deflector Pin	2
11	15067	1/4-20 Nylock Nut	1	29	ZF15002	Right Deflector	1
12	15104	1/4-20 x 1-1/4 Phillips Head Screw	4	30	X310-2042	Forward Deflector Gear	1
13	101-16-2029	Rack Spacer	1	31	X310-2043	Forward Deflector Motor Mount	1
14	15158	Deflector Lock Pin	1	32	ZF15158	Deflector Lock Pin	1
15	15101	1/4-20 Flange Nut	19	33	ZF15003	Retaining Cable	1
16	101-17-6427	Safety Clip	2	34	ZF15004	Forward Deflector	1
17	0117-081216	1/2 Bushing	8	35	ZF15005	Left Power Deflector	1
18	101-16-1821	Deflector Rack	1	36	15055	Left Slave Deflector	1
						3/8 x 3/8 x 4" Key Stock	1

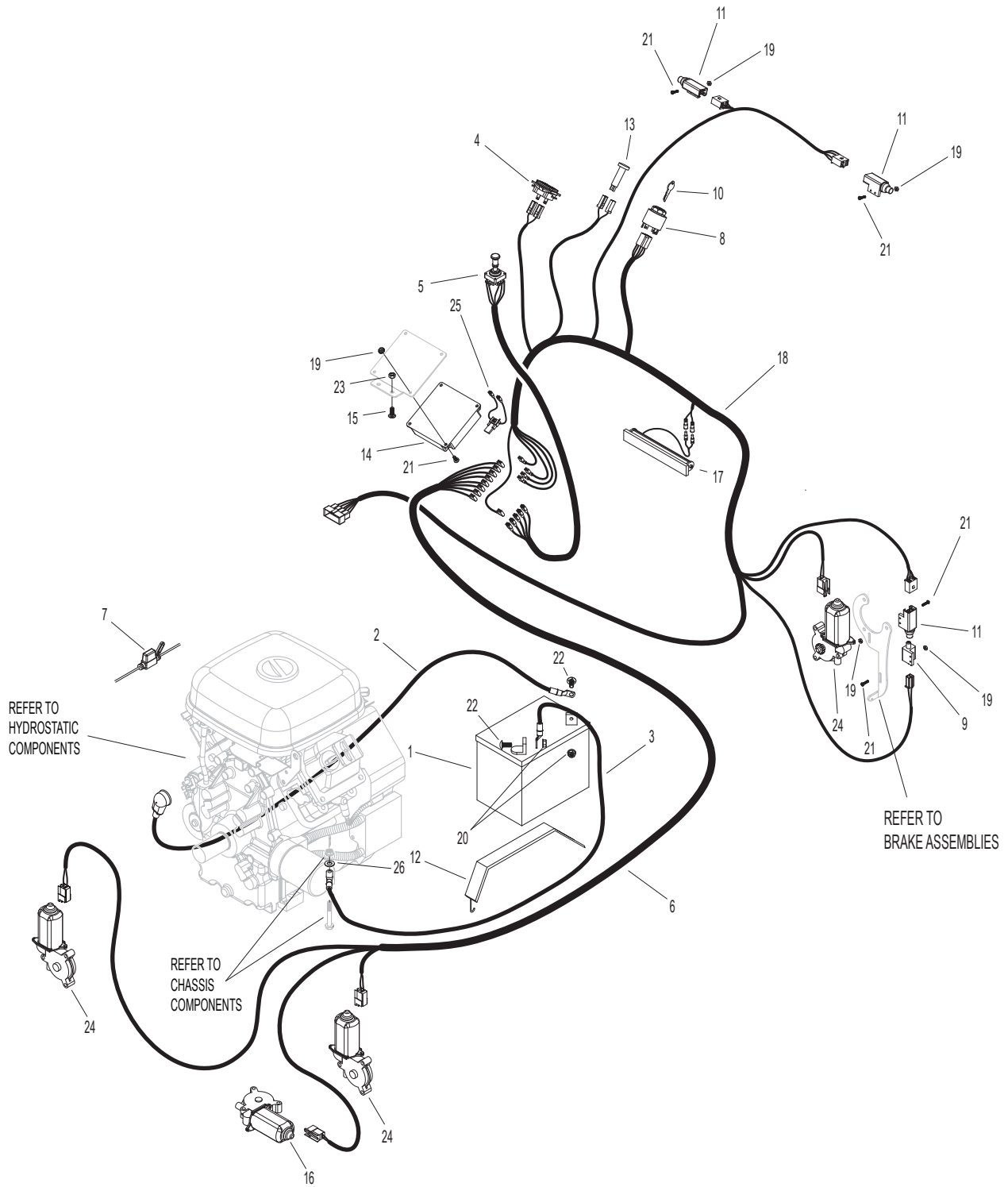
ELECTRICAL COMPONENTS

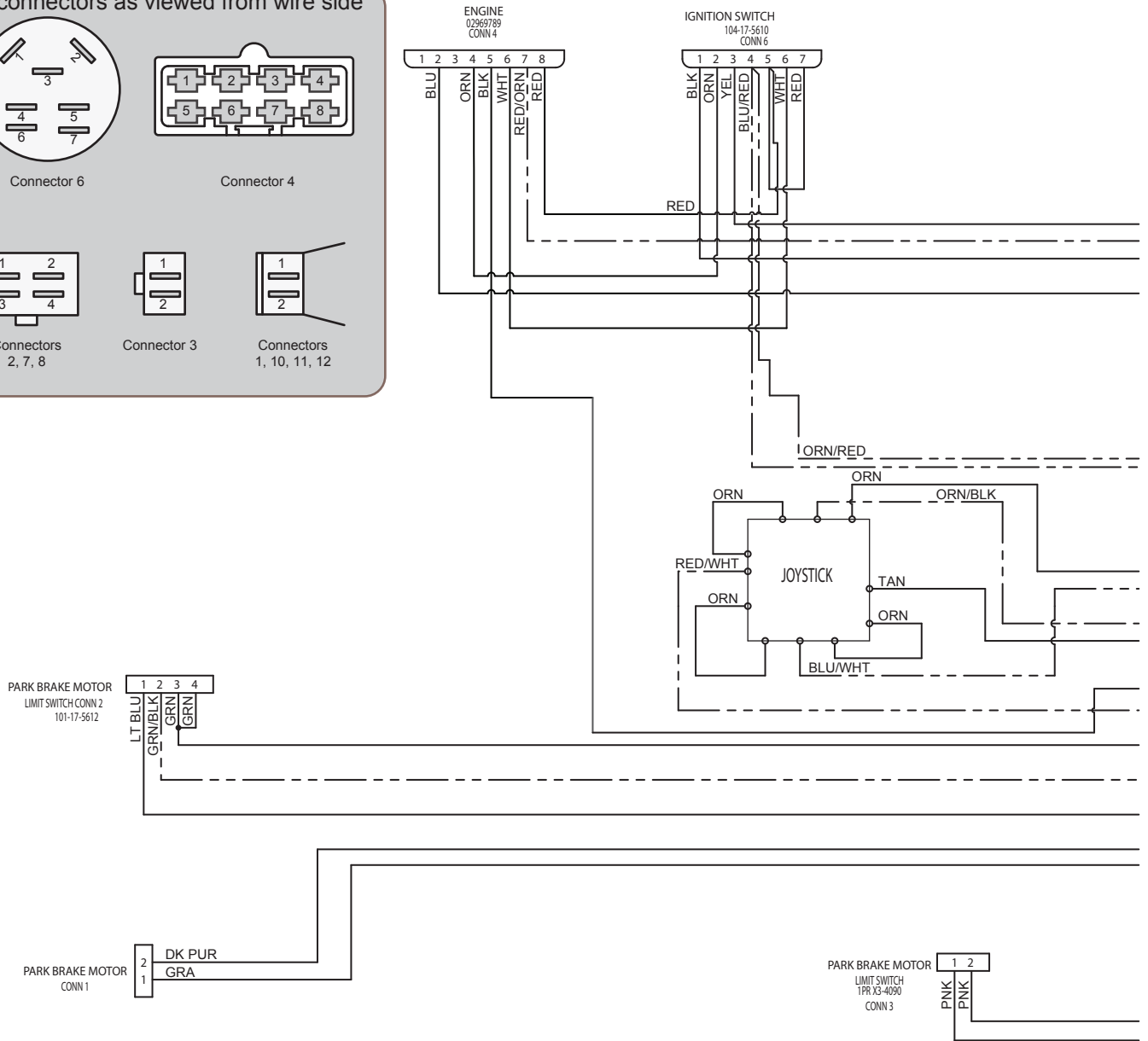
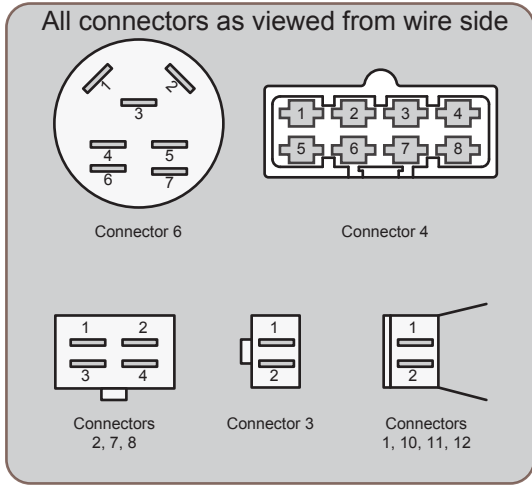
Electrical

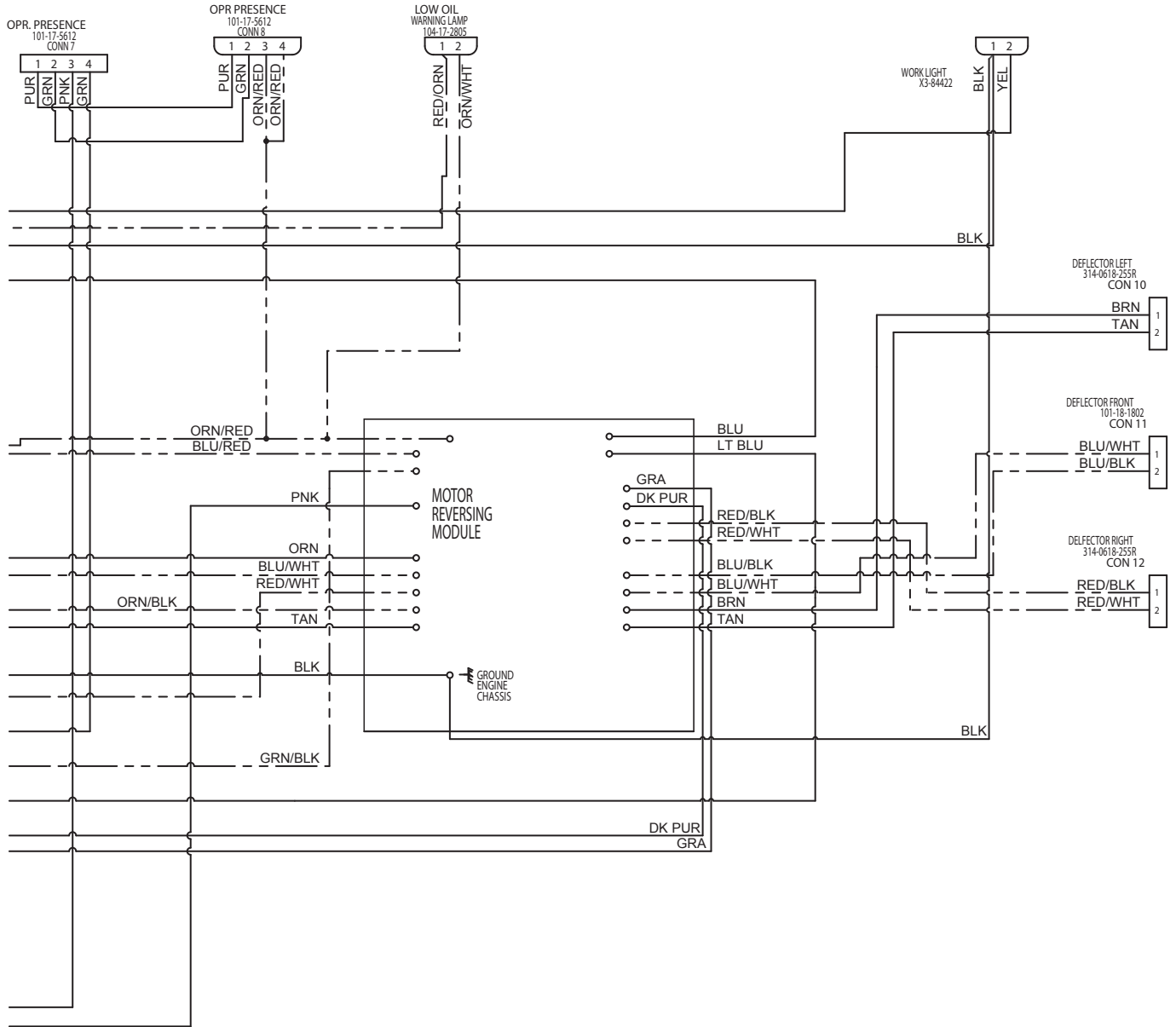
Hurricane Power

	Part Number	Description	Quantity		Part Number	Description	Quantity
1	106-17-4001	U1 Battery	1	14	ZP2817	Control Module	1
2	X3-18-1802	Positive Battery Cable	1	15	17109	1/4-20 Carriage Bolt	2
3	X3-18-1803	Negative Battery Cable	1	16	101-18-1802	Deflector Motor Left	1
4	104-17-5205	Tach	1	17	ZF1750	Headlight	1
	106-18-1804	Tach Harness	1	18	ZP17884	Main Wiring Harness	1
5	ZP173007	Joystick (With Harness)	1	19	15106	10-32 Keps Nut	12
6	ZP17884-1	Secondary Harness	1	20	15107	5/16-18 Flange Nut	2
7	ZP17880	Fuse Holder	1	21	15105	10-32 x 3/4 Machine Screw	12
8	104-17-5610	Ignition Switch (Snap In)	1	22	15108	5/16-18 x 3/4 Carriage Bolt	2
9	X3-4090	Safety Switch (1 PR)	1	23	15101	1/4-20 Flange Nut	2
10	104-17-5608	Ignition Switch Key	1	24	314-0618-255R	Deflector Motor Right	3
11	101-17-5612	Safety Switch 2P	3	25	ZP17480	15 Amp Self-Resetting Breaker	1
12	16100	Battery Strap	1				
13	104-17-2805	Warning Light	1	26	314-15-15147	5/16" Flat Washer	1

ELECTRICAL COMPONENTS







Muskegon, MI