



Parts Manual

Mfg. No: 5901752
Pathfinder (FS2100) Series Stand-On
Spreader Sprayer

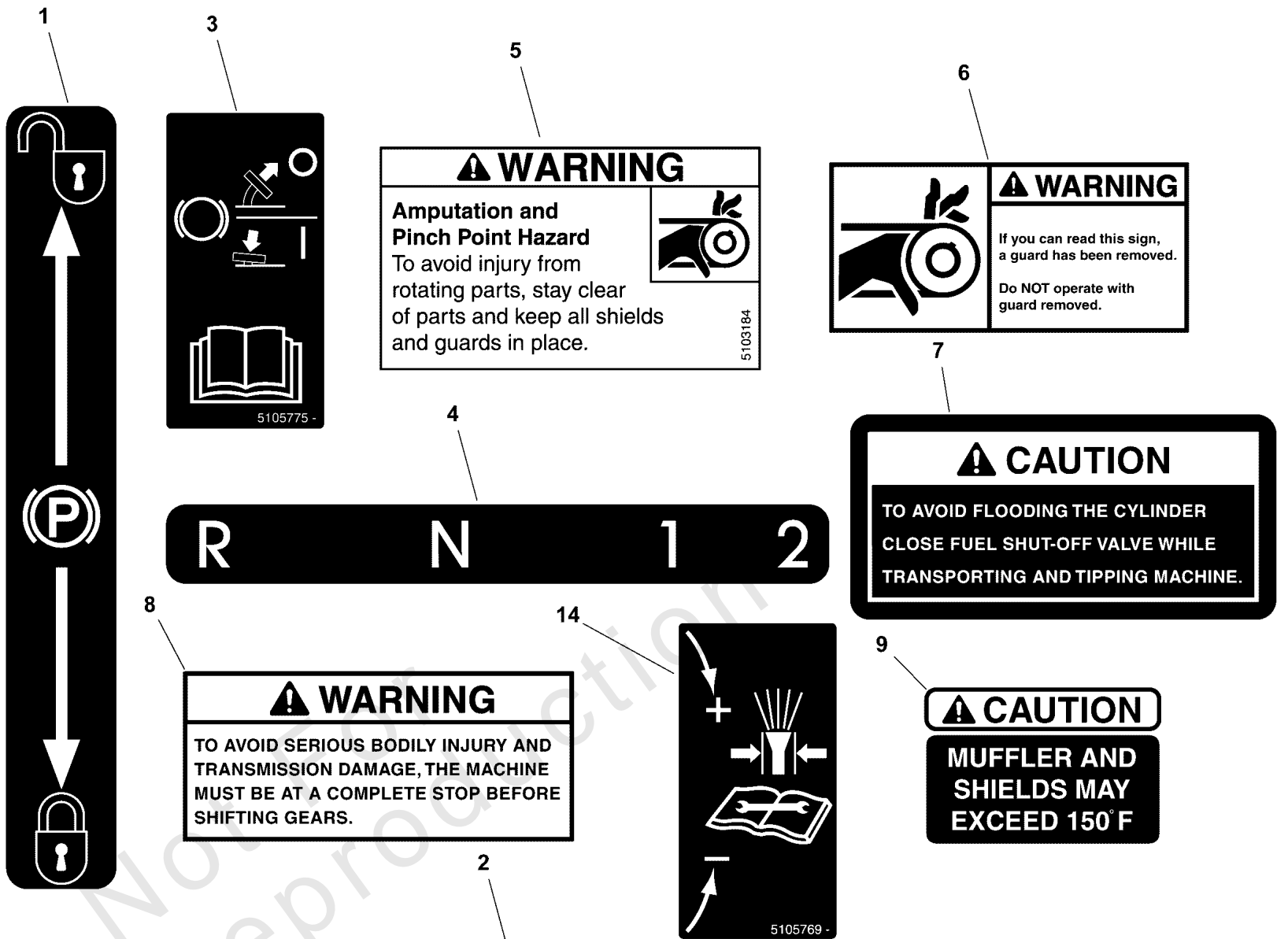


5105895 - Spray Wand Assembly (SPW-100-1).....

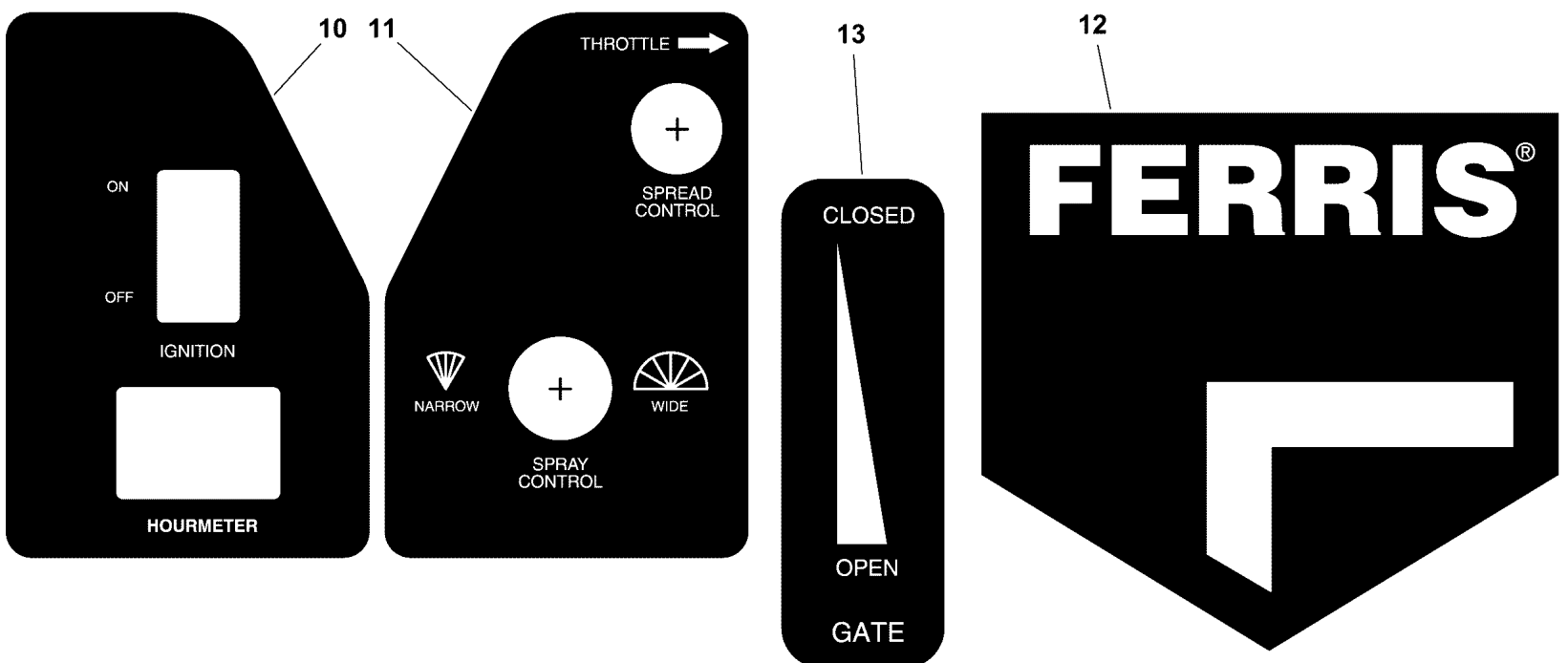
Not For
Reproduction

| Model Components | Page |
|---|-------------|
| Decals Group..... | 4 |
| Electrical Group..... | 6 |
| Electrical Schematic..... | 8 |
| Fuel Tank and Mount Group..... | 10 |
| Handlebar Group..... | 12 |
| Hopper Gate Assembly Group (120 LBS)..... | 14 |
| Hopper Group (120 LBS)..... | 16 |
| Main Frame Group..... | 18 |
| Operator Platform Group..... | 20 |
| Parking Brake Group..... | 22 |
| Power Transmission Group..... | 24 |
| Pump and Gearbox Group..... | 28 |
| Spray System Group..... | 30 |
| Spray Tank Group..... | 32 |
| Spreader Shield Group..... | 34 |
| Torque Specification Chart..... | 36 |

Not For
Reproduction



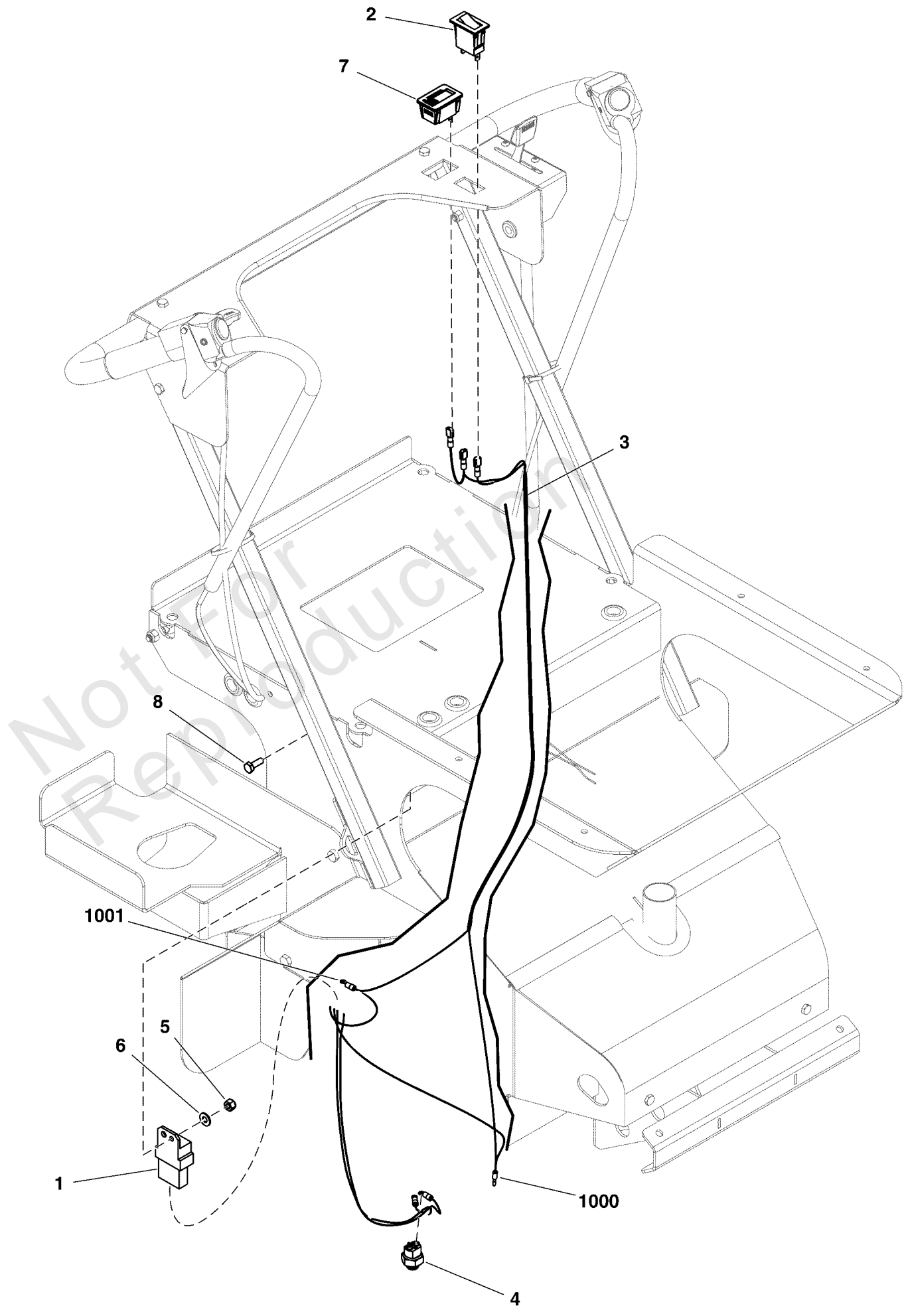
| | |
|--|---|
| ⚠ WARNING | ⚠ DANGER |
| <p>To avoid serious injury or death:</p> <ul style="list-style-type: none"> • Read and understand the operator's manual before using this machine. • Do NOT operate unless trained to safely use this machine. • Hearing protection is recommended. • Do NOT operate without shields, guards, and safety devices in place and working. • Do NOT defeat the safety system. • Stop engine and remove key before adjusting, servicing or cleaning machine. • Do NOT operate when people and pets are in the area. • Do NOT carry passengers. • Look behind and to the side before changing directions. • Before leaving the operator's position engage park brake and stop engine. | <p>Loss of Control: Operating on slopes can be hazardous and cause loss of control.</p> <ul style="list-style-type: none"> • Avoid sudden turns or rapid speed changes. • Go up and down slopes, NOT across. • Reduce speed and use extreme caution on slopes. • If machine stops forward motion on a slope, stop. Get off and walk the machine slowly off the slope. • Do NOT operate on slopes when grass is wet. <p>Caustic Liquid/Chemical Burn and Gases Inhalation Hazard:</p> <ul style="list-style-type: none"> • Follow instructions for handling and wear all personal protective equipment as recommended on the manufacturer's label of any herbicides, pesticides, or other chemicals used. <p>Thrown Object Hazard:</p> <ul style="list-style-type: none"> • Do NOT operate when people are nearby. |



Decals Group

| REF NO | PART NO | QTY | DESCRIPTION |
|--------|---------|-----|--|
| 1 | 5102628 | 1 | DECAL, PARKING BRAKE SYMBOLS |
| 2 | 5105774 | 1 | DECAL, WARNING / DANGER |
| 3 | 5105775 | 1 | DECAL, BRAKE PEDAL |
| 4 | 5106500 | 1 | DECAL, GEAR SELECTOR |
| 5 | 5103184 | 3 | DECAL, WARNING, HAND IN BELT, ENG ONLY |
| 6 | 5106504 | 1 | DECAL, WARNING, GUARD |
| 7 | 5106505 | 1 | DECAL, CAUTION, FLOODING |
| 8 | 5106506 | 1 | DECAL, WARNING, INJURY & TRANS. DAMAGE |
| 9 | 5106507 | 1 | DECAL, CAUTION, MUFFLER TEMP. |
| 10 | 5106520 | 1 | DECAL, PATHFINDER LEFT CONSOLE |
| 11 | 5106521 | 1 | DECAL, PATHFINDER RIGHT CONSOLE |
| 12 | 5106542 | 1 | DECAL, 3.00" FERRIS SHIELD LOGO |
| 13 | 5106522 | 1 | DECAL, PATHFINDER GATE LEVER |
| 14 | 5105769 | 1 | DECAL, COMBO SPRAY CONTROL |

Not For Reproduction



Electrical Group

| REF NO | PART NO | QTY | DESCRIPTION |
|--------|---------|-----|--|
| 1 | 5105937 | 1 | MODULE, SAFE-START |
| 2 | 5105945 | 1 | SWITCH, ROCKER ON/OFF |
| 3 | 5106455 | 1 | HARNES, WIRING ROVER/ROVER XC |
| 4 | 5106017 | 1 | PEERLESS NEUTRAL START SWITCH -(Connects to the transmission) |
| 5 | 5106040 | 1 | NUT-HEX-NYLK, .250"-20 SS188 |
| 6 | 5106067 | 1 | WSHR-STL, FLT .281" X .625" X .050" IS SS188 |
| 7 | 5106145 | 1 | METER, TACH/HOUR INDUCTIVE PICKUP |
| 8 | 5106214 | 1 | SCR-CAP, HEX .250"-20 X .750" SS188 |
| 1000 | ----- | 0 | Connects to Engine Ground |
| 1001 | ----- | 0 | Connects to Engine Magneto |

Not For Reproduction

Electrical Schematic

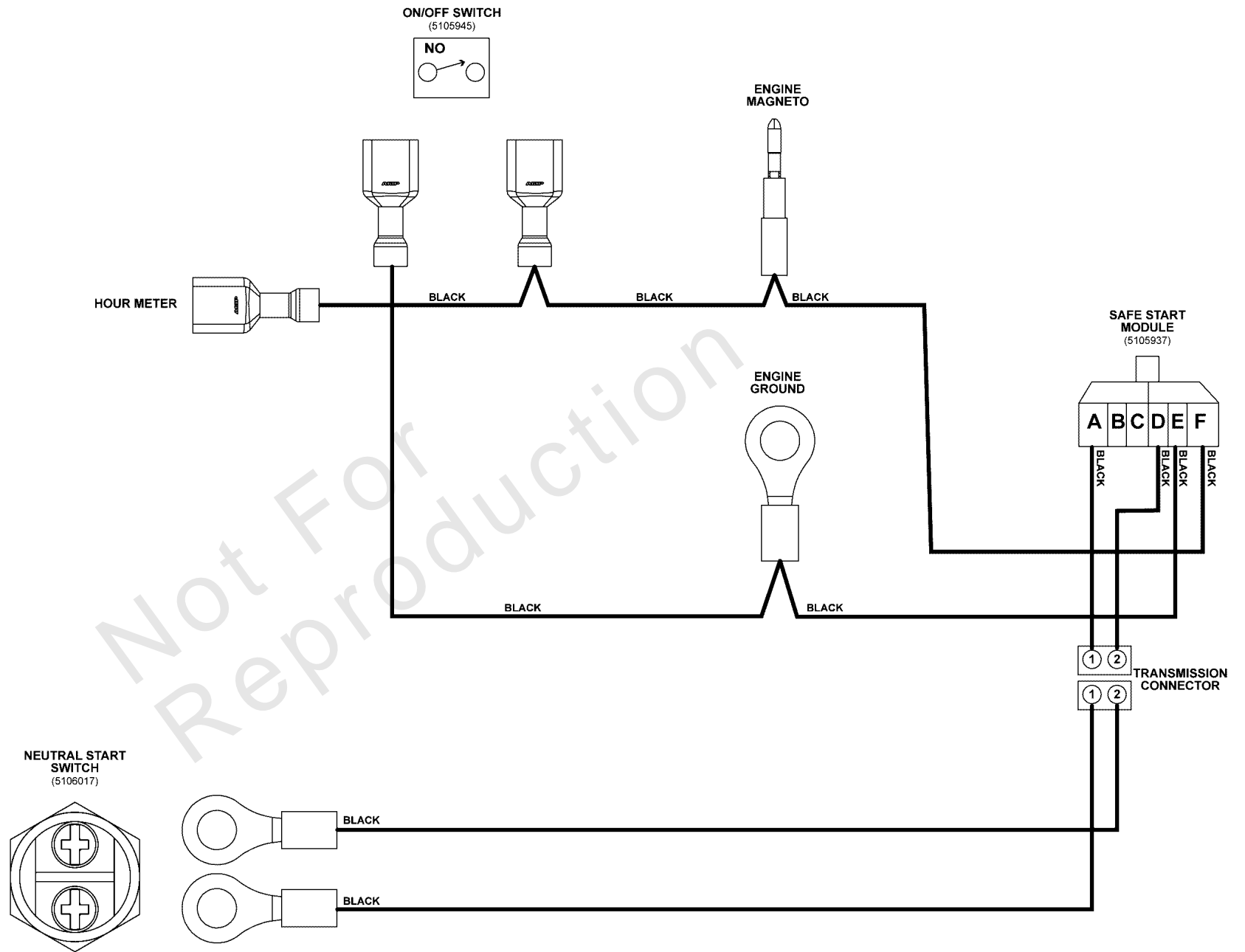
Note: Unless noted otherwise, use the standard torque specifications

Mfg. No: 5901752

5106455 MAIN WIRE HARNESS

5106455A

(If internal schematic of the switch is not shown, the image of the switch represents the back view of the connector as it is connected to the switch.)



Electrical Schematic

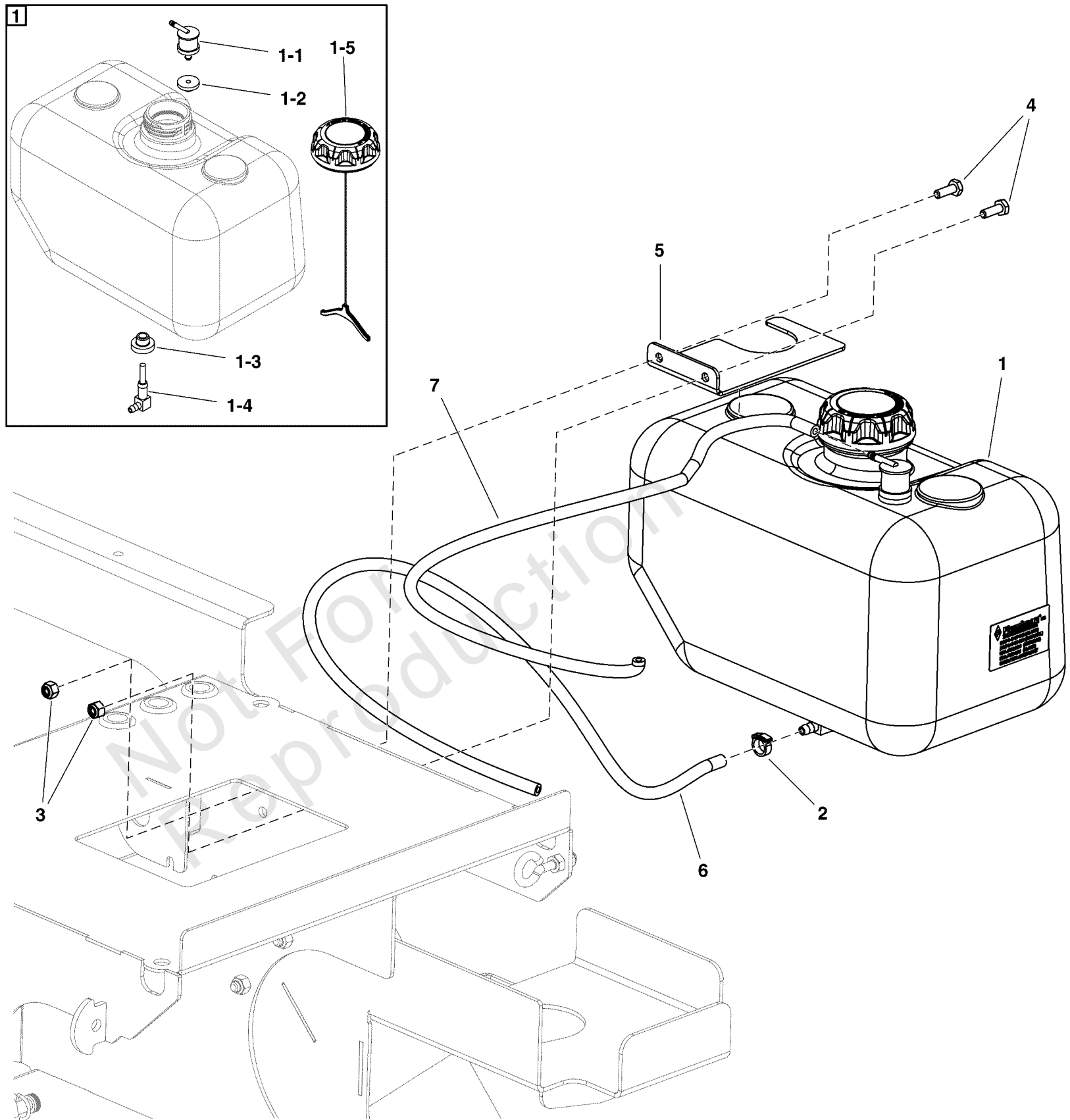
| REF NO | PART NO | QTY | DESCRIPTION |
|---------------|----------------|------------|--------------------------------|
| 5106455 | 5106455 | 1 | HARNESS, WIRING ROVER/ROVER XC |
| 5105945 | 5105945 | 1 | SWITCH, ROCKER ON/OFF |
| 5105937 | 5105937 | 1 | MODULE, SAFE-START |
| 5106017 | 5106017 | 1 | PEERLESS NEUTRAL START SWITCH |

Not For Reproduction

Fuel Tank and Mount Group

Note: Unless noted otherwise, use the standard torque specifications

Mfg. No: 5901752



Fuel Tank and Mount Group

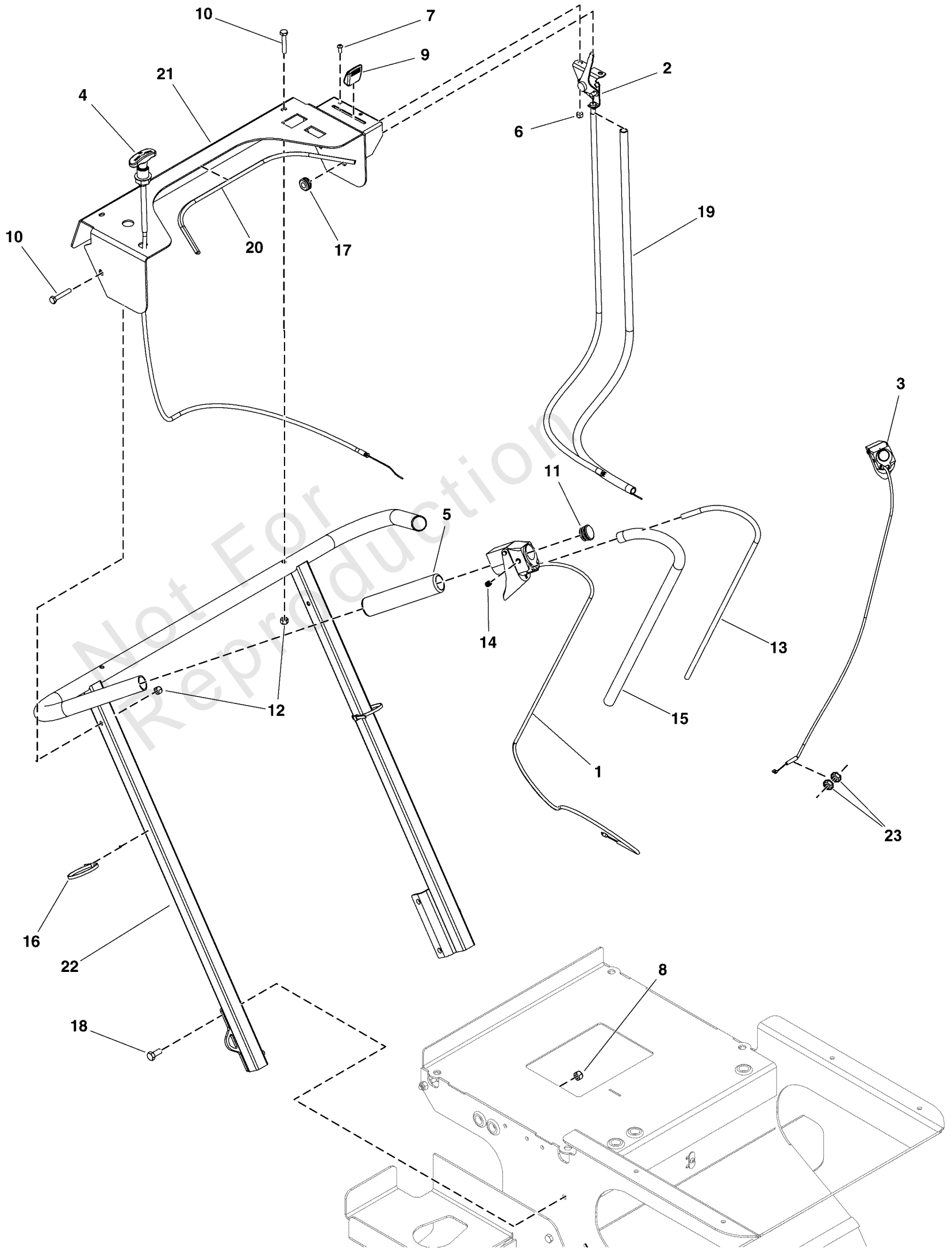
| REF NO | PART NO | QTY | DESCRIPTION |
|--------|---------|-----|--|
| 1 | 5105974 | 1 | TANK, FUEL 2.5 GAL EPA/CARB -(Includes items 1-1 through 1-5) |
| 1-1 | 5106225 | 1 | VALVE, SLOSH (C0155) -(SV) |
| 1-2 | 5106176 | 1 | GROMMET, SLOSH VALVE (C0156) -(SV) |
| 1-3 | 5105885 | 1 | GROMMET, VALVE, FUEL TANK (B0142) -(SV) |
| 1-4 | 5105993 | 1 | FITTING, FUEL TANK (B0115) -(SV) |
| 1-5 | 5106070 | 1 | CAP, FUEL, EPA (C0139) -(SV) |
| 2 | 5106037 | 1 | CLAMP, 3/16 FUEL LINE |
| 3 | 5106040 | 2 | NUT-HEX-NYLK, .250"-20 SS188 |
| 4 | 5106214 | 2 | SCR-CAP, HEX .250"-20 X .750" SS188 |
| 5 | 5106295 | 1 | BRACKET, HOLD DOWN, FUEL TANK |
| 6 | 5418426 | 1 | LINE, FUEL 3/16" ID X 15.0" |
| 7 | 5418428 | 1 | HOSE, FUEL VENT EPA 3/16" ID |

Not For Reproduction

Handlebar Group

Note: Unless noted otherwise, use the standard torque specifications

Mfg. No: 5901752



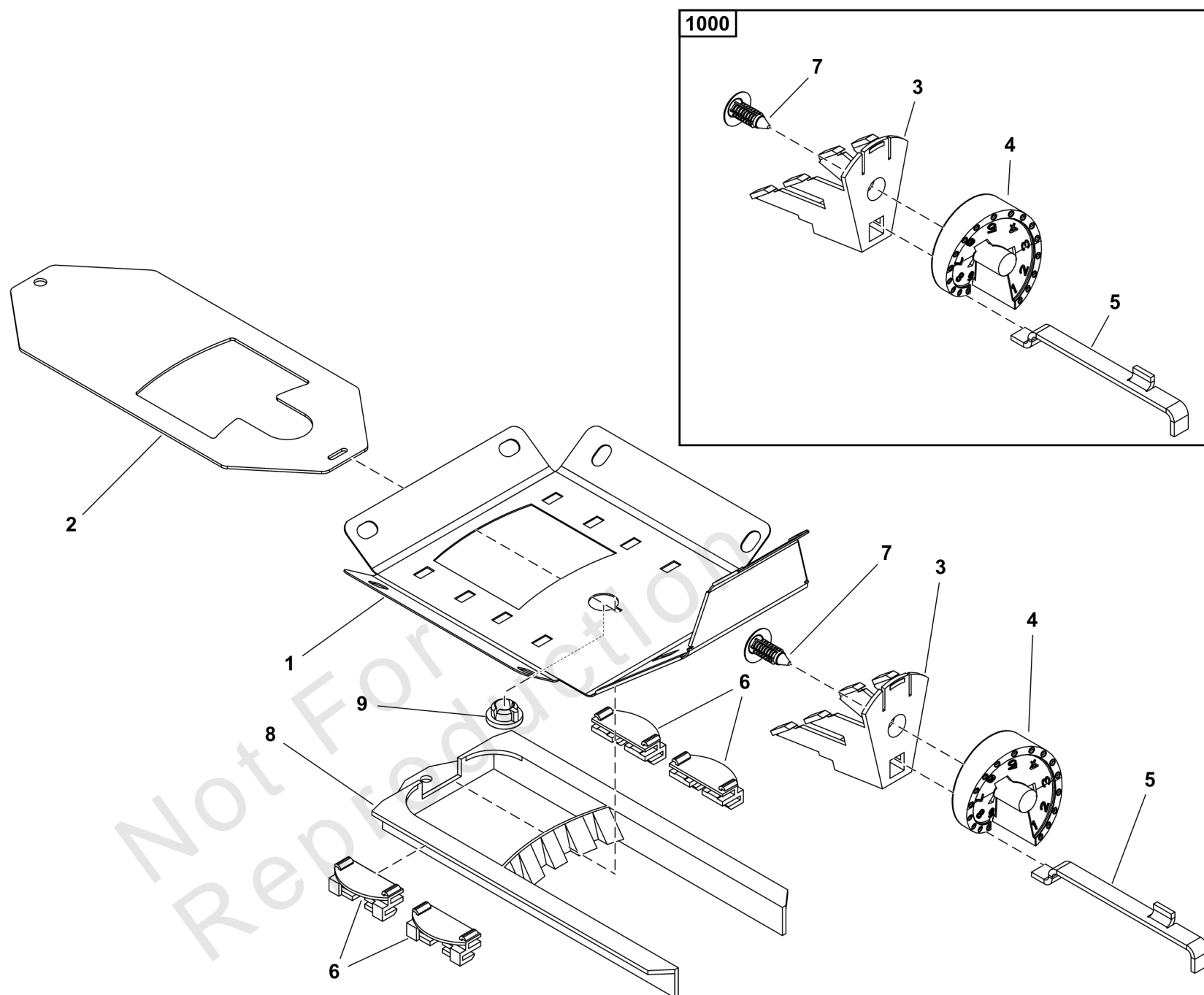
Handlebar Group

| REF NO | PART NO | QTY | DESCRIPTION |
|--------|---------|-----|--|
| 1 | 5601316 | 1 | KIT, ROVER/PATHFINDER THROTTLE CABLE -(Connects to engine.) |
| 2 | 5109577 | 1 | CABLE, LEVER ACTION 34" -(Connects to gate assembly.) |
| 3 | 5108411 | 1 | CABLE, SPRAY |
| 4 | 5109576 | 1 | CABLE, TURN TO LOCK, 35" -(Connects to gate assembly.) |
| 5 | 5105928 | 2 | GRIP, .94 ID X .155 THK X 5.75 LONG |
| 6 | 5105963 | 2 | NUT-HEX-NYLK, #10-24 SS188 |
| 7 | 5105978 | 2 | SCR-CAP, BSH #10-24 X .500" SS188 |
| 8 | 5105992 | 4 | NUT-HEX-NYLK, 0.3125"-18 SS188 |
| 9 | 5106000 | 1 | KNOB, GATE LEVER |
| 10 | 5106021 | 4 | SCR-CAP, HEX .250"-20 X 1.500" SSF593C |
| 11 | 5106028 | 2 | PLUG, 1" TUBE, ROUND |
| 12 | 5106040 | 4 | NUT-HEX-NYLK, .250"-20 SS188 |
| 13 | 5106068 | 2 | ROD,CABLE SUPPORT |
| 14 | 5106185 | 2 | SCR-SH, SET .3125"-18 X .375" KCPT SS188 |
| 15 | 5106204 | 2 | THROTTLE CABLE SPLIT LOOM, .500" ID |
| 16 | 5106297 | 2 | CABLE TIE, .188" W X 7.50" LNG |
| 17 | 5106454 | 1 | GROMMET, 0.375" I.D., FIT 0.500" HOLE |
| 18 | 5106024 | 4 | SCR-CAP, HEX .3125"-18 X .750" SS188 |
| 19 | 5417981 | 1 | SPLIT LOOM, GATE CABLE, 28" |
| 20 | 5418126 | 1 | TRIM, U-CHANNEL 19.70" LONG |
| 21 | 5418180 | 1 | WELD, OPERATOR HANDLEBAR FRAME |
| 22 | 5418181 | 1 | WELD, FRAME, HANDLE BAR |
| 23 | 5106016 | 2 | NUT-HEX, JAM .250"-28 SS188 |

Hopper Gate Assembly Group (120 LBS)

Note: Unless noted otherwise, use the standard torque specifications

Mfg. No: 5901752



Hopper Gate Assembly Group (120 LBS)

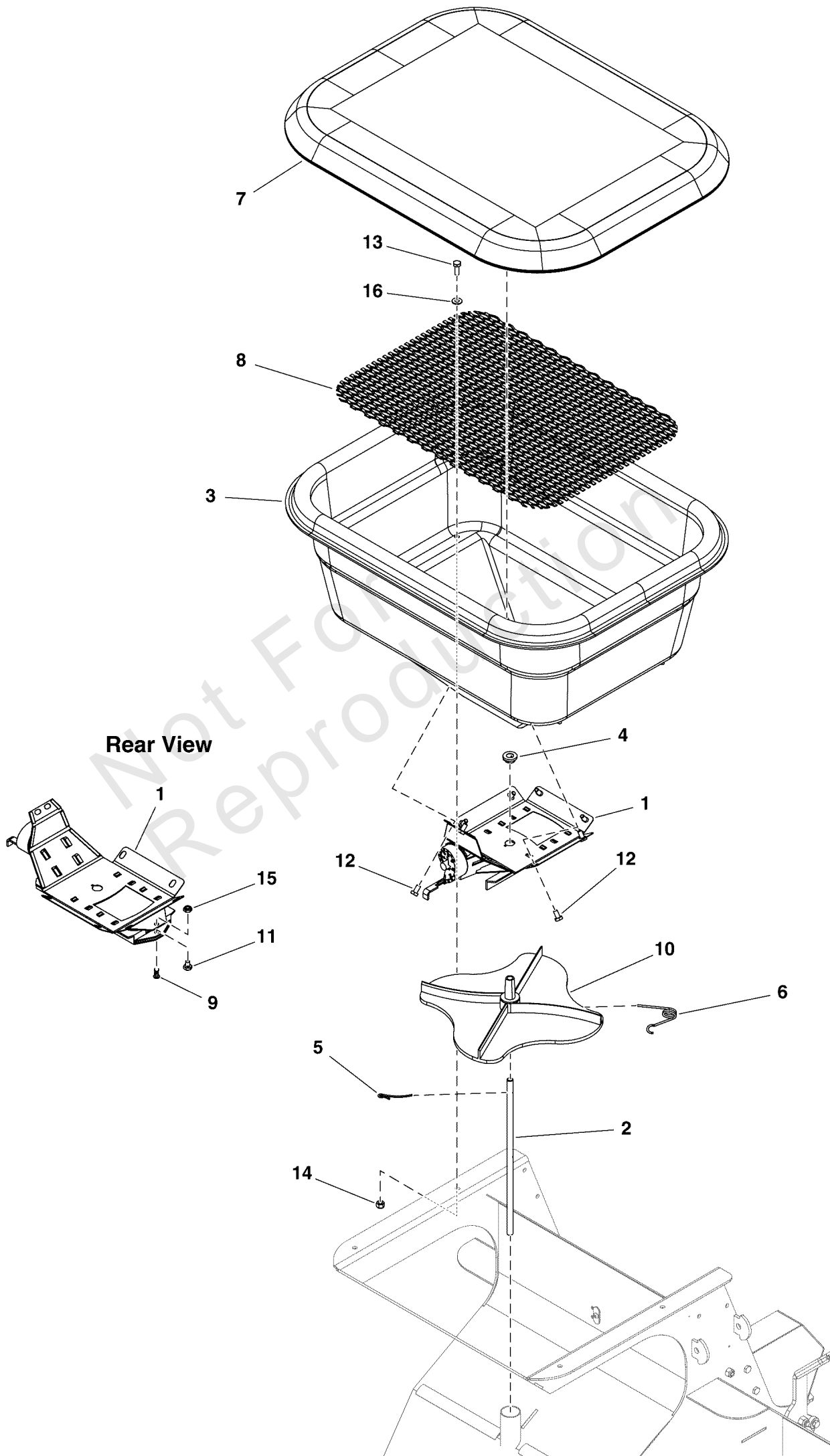
| REF NO | PART NO | QTY | DESCRIPTION |
|--------|---------|-----|---------------------------------------|
| 1 | 5106181 | 1 | PLATE, HOPPER BOTTOM 120 LBS |
| 2 | 5106199 | 1 | PLATE, RATE GATE |
| 3 | 5105888 | 1 | MOUNT, SPREADER DIAL |
| 4 | 5105913 | 1 | DIAL, CONTROLLER |
| 5 | 5105942 | 1 | PLATE, STOPPER, GATE OPENING |
| 6 | 5105933 | 4 | GUIDE, RATE GATE & DIFFUSER |
| 7 | 5105953 | 1 | PINE TREE CLIP, SPREADER FOR DIA .33" |
| 8 | 5106014 | 1 | BAFFLE, SPREADER DIFFUSER |
| 9 | 5105878 | 1 | BUSHING, HOPPER SPREADER |

Not For Reproduction

Hopper Group (120 LBS)

Note: Unless noted otherwise, use the standard torque specifications

Mfg. No: 5901752



Hopper Group (120 LBS)

| REF NO | PART NO | QTY | DESCRIPTION |
|--------|----------|-----|--|
| 1 | ----- | 1 | ASSM, GATE, COMPLETE (G0104) |
| 2 | 5601317 | 1 | KIT, PLATTER SHAFT COUPLING -(Rover Models Only - S/N: 30000003605 and below)(Refer to Note: *) |
| 2 | 84008078 | 1 | SHAFT, Platter -(Rover Models Only - S/N: 30000003606 and above) |
| 2 | 5107997 | 1 | SHAFT, PLATTER DRIVE (PATHFINDER/PATHFINDER XC) -(Pathfinder Models Only - S/N: 30000003109 and below) |
| 2 | 84008078 | 1 | SHAFT, Platter -(Pathfinder Models Only - S/N: 30000003110 and above) |
| 3 | 5106287 | 1 | HOPPER, 120 LBS |
| 4 | 5105878 | 1 | BUSHING, HOPPER SPREADER |
| 5 | 5105875 | 1 | CLIP, SPINNER AGITATOR |
| 6 | 5105879 | 1 | CLIP, SPREADER SPINNER |
| 7 | 5105883 | 1 | COVER, HOPPER, MODEL 120 |
| 8 | 84011454 | 1 | SCREEN, Hopper (MODEL 120 LBS PERF) |
| 9 | 5105921 | 1 | FITTING, SWIVEL ACCUWAY |
| 10 | 84008796 | 1 | PLATTER, Spinner |
| 11 | 5105894 | 1 | SCR-CAP, HEX .250"-20 X .375" SS188 SPC |
| 12 | 5105893 | 8 | SCR-CAP, HEX .250"-20 X .500" SS188 |
| 13 | 5106214 | 4 | SCR-CAP, HEX .250"-20 X .750" SS188 |
| 14 | 5106040 | 4 | NUT-HEX-NYLK, .250"-20 SS188 |
| 15 | 5105915 | 1 | NUT-HEX-NYLK, .250"-20 TH SS188 |
| 16 | 5106067 | 4 | WSHR-STL, FLT .281" X .625" X .050" IS SS188 |

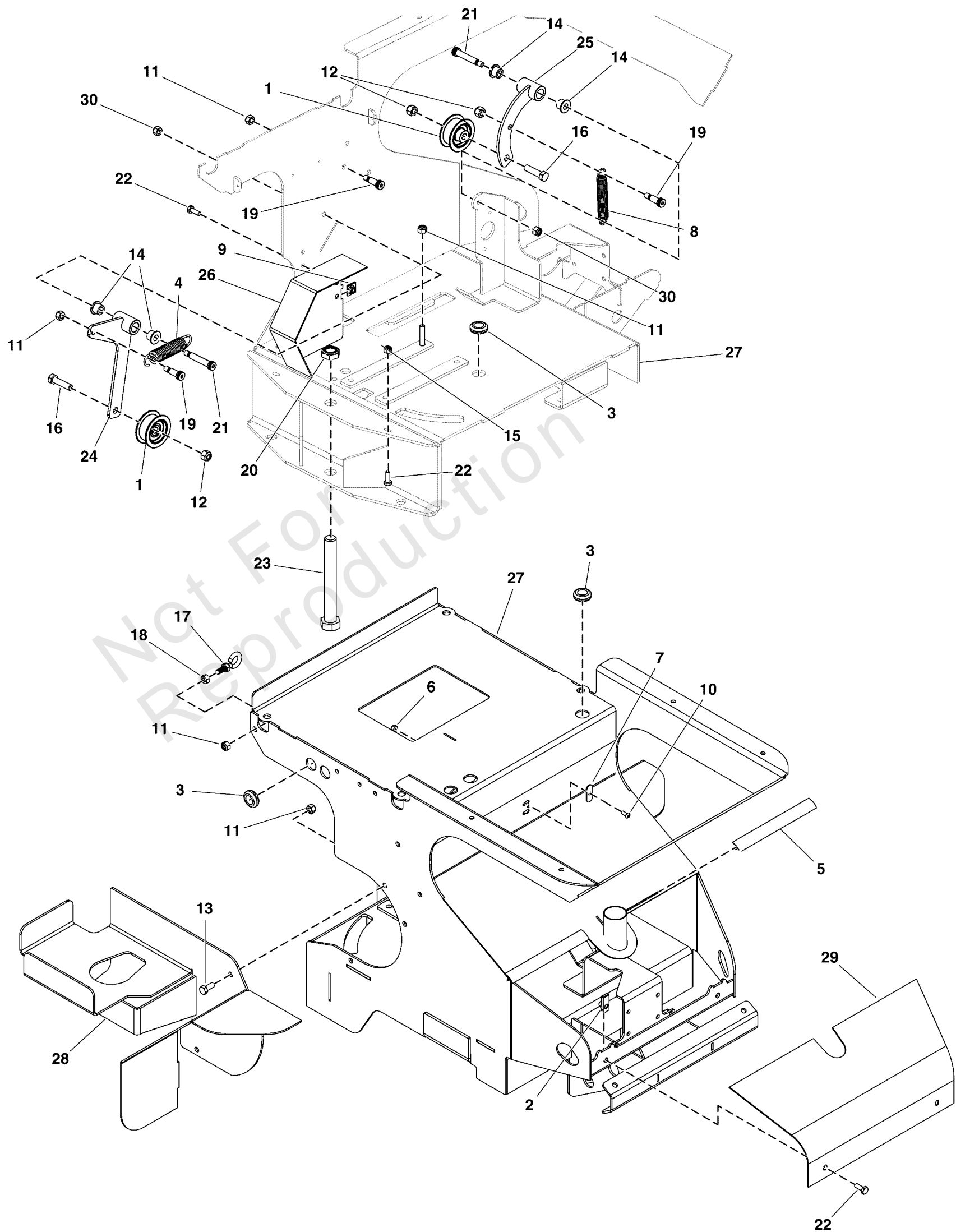
Footnotes:

Note: *Also includes 5109472, 5109473, and 5109474.

Main Frame Group

Note: Unless noted otherwise, use the standard torque specifications

Mfg. No: 5901752



Main Frame Group

| REF NO | PART NO | QTY | DESCRIPTION |
|--------|---------|-----|---|
| 1 | 5105890 | 2 | PULLEY IDLER 1.75" OD X 3/8" BORE |
| 2 | 5105898 | 2 | NUT-CLIP .250"-20 X .781" EDGE DISTANCE |
| 3 | 5105899 | 7 | GROMMET, .875" HOLE X .625" ID X .125 GROOVE |
| 4 | 5105946 | 1 | SPRING, EXTENSION .840" OD X 4.00" LONG SS |
| 5 | 5105954 | 2 | SEAL TRIM, FRONT COWL 6.820" LONG |
| 6 | 5105963 | 1 | NUT-HEX-NYLK, #10-24 SS188 |
| 7 | 5105969 | 1 | PLATE, CABLE HOLDER |
| 8 | 5105972 | 1 | SPRING, EXTENSION .64" OD X 4.00" LG SS |
| 9 | 5105973 | 2 | NUT-CLIP, .250"-20 X .375" EDGE DISTANCE |
| 10 | 5105978 | 1 | SCR-CAP, BSH #10-24 X .500" SS188 |
| 11 | 5105992 | 10 | NUT-HEX-NYLK, 0.3125"-18 SS188 |
| 12 | 5106006 | 3 | NUT-HEX-NYLK, .375"-16 SS188 |
| 13 | 5106024 | 3 | SCR-CAP, HEX .3125"-18 X .750" SS188 |
| 14 | 5108816 | 4 | BSHG-FL, .500" X .625" X .500", .875"x .062" IR |
| 15 | 5106040 | 1 | NUT-HEX-NYLK, .250"-20 SS188 |
| 16 | 5106069 | 2 | SCR-CAP, HEX .375"-16 X 1.500" SS188 |
| 17 | 5106082 | 1 | BOLT EYE, .3125"-18 X 1.000" SS188 |
| 18 | 5106159 | 1 | NUT-HEX, .3125"-18 SS188 |
| 19 | 5106172 | 3 | BLT-SLDR, SH .38"X0.75",.313-18 X.50 SS |
| 20 | 5106184 | 1 | NUT-HEX-NYLK, .750"-10 TH GA ZP |
| 21 | 5107641 | 2 | BLT-SLDR,SH.50"X1.25",.375"-16X.63"SS188 |
| 22 | 5106214 | 5 | SCR-CAP, HEX .250"-20 X .750" SS188 |
| 23 | 5106215 | 1 | SCR-CAP, HEX .750"-10 X 6.000" SS188 |
| 24 | 5106217 | 1 | ASSY, IDLER ARM, LARGE PATH (S0108) -(Serial Number 30000003467 & Below)(Refer to Note: *) |
| 24 | 5106291 | 1 | WELD, ARM IDLER PATHFINDER -(Serial Number 30000003468 & Above) |
| 25 | 5106292 | 1 | WELD, ARM, SMALL IDLER |
| 26 | 5418065 | 1 | WELD, COVER, PULLEY |
| 27 | ----- | 1 | WELD, FRAME |
| 28 | 5418130 | 1 | WELD, FUEL TANK MOUNT |
| 29 | 5418874 | 1 | PANEL, FRONT COWL |
| 30 | 5107638 | 2 | NUT-HEX-NYLK, FLG .375"-16 SS188 |

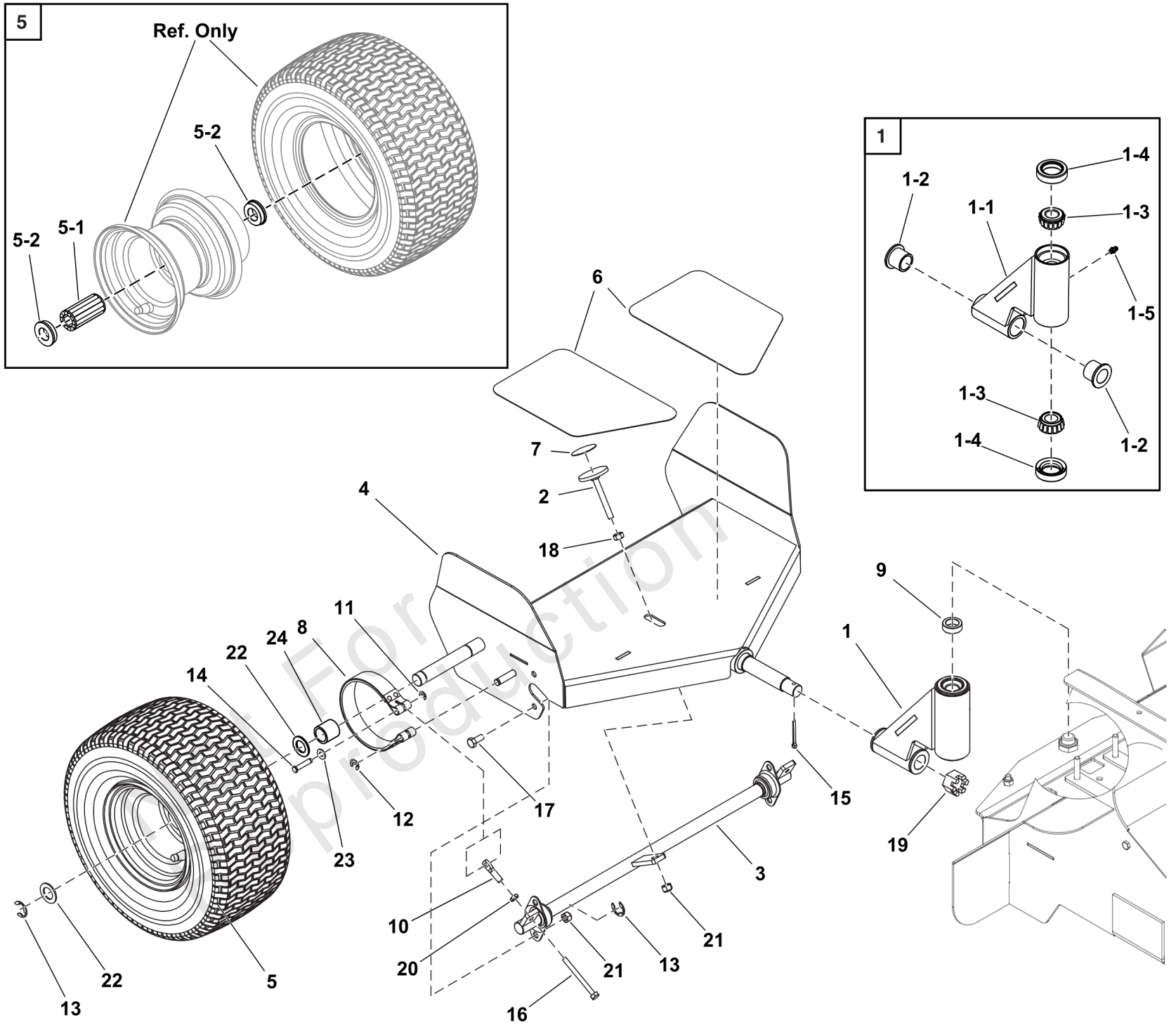
Footnotes:

Note: *This replacement idler arm includes items #1, 11, 12, 14, 16, 19, 21, 22, 24 & 30.

Operator Platform Group

Note: Unless noted otherwise, use the standard torque specifications

Mfg. No: 5901752



Operator Platform Group

| REF NO | PART NO | QTY | DESCRIPTION |
|--------|---------|-----|--|
| 1 | ----- | 1 | ASSM, TIE, PLATFORM (S0104) |
| 1-1 | 5417983 | 1 | WELD, HINGE SULKY |
| 1-2 | 5106004 | 2 | BUSHING, FLANGE 7/8 ID X 1 1/8 OD X 1 LG |
| 1-3 | 5105967 | 2 | CONE, TPR-ROL Ø.750" ID X Ø1.521" OD x .655" TH |
| 1-4 | 5105975 | 2 | SEAL, 1.125" BORE X 1.784" OD X 0.469 THK |
| 1-5 | 5106119 | 1 | ZERK, GREASE .250"-28 SS |
| 2 | 5106254 | 1 | WELD, BRAKE PEDAL |
| 3 | 5106270 | 1 | BRAKE SHAFT ASSY, ROVER (S0301) |
| 4 | 5417972 | 1 | WELD, SULKY FRAME |
| 5 | 5106759 | 2 | ASM, WHEEL & TIRE 13" X 6.50" - 6 TURF |
| 5-1 | 5105907 | 2 | BEARING, ROLLER (C0147) -(One per tire) |
| 5-2 | 5105901 | 4 | RETAINER, BEARING (C0148) -(Two per tire) |
| 6 | 5105929 | 1 | PADS, NON-SLIP PLATFORM |
| 7 | 5417967 | 1 | PAD, NON-SLIP ROUND BRAKE |
| 8 | 5105910 | 2 | BRAKE, BAND 4.00 INCH |
| 9 | 5105986 | 2 | SPCR-SS, 303 .750" X 1.125" X .375 |
| 10 | 5105995 | 2 | NUT-EYE .250" 20 X 1.500 OAL ZP |
| 11 | 5106605 | 2 | E-RING, 0.250" SHAFT SSPH |
| 12 | 5106047 | 2 | E-RING, 0.375" SHAFT YZ |
| 13 | 5105882 | 4 | E-RING, .750" SHAFT YZ |
| 14 | 5105984 | 2 | PIN, CVS .250" X 1.125" SS188 |
| 15 | 5106163 | 1 | PIN-CTR, .156" X 1.500" SS188 |
| 16 | 5025741 | 1 | SCR-CAP, HEX .250"-20 X 2.50" F593C SS |
| 17 | 5106024 | 4 | SCR-CAP, HEX .3125"-18 X .750" SS188 |
| 18 | 5106159 | 1 | NUT-HEX, .3125"-18 SS188 |
| 19 | 5106203 | 1 | NUT-HEX, CSTL .750"-16 GR2 ZP |
| 20 | 5105977 | 2 | NUT-HEX, JAM .250"-20 SS188 |
| 21 | 5105992 | 5 | NUT-HEX-NYLK, 0.3125"-18 SS188 |
| 22 | 5105957 | 4 | WSHR-STL, FLT .750"X1.250" X .075" MAB ZP |
| 23 | 5106067 | 2 | WSHR-STL, FLT .281" X .625" X .050" IS SS188 |
| 24 | 5601299 | 1 | KIT, SULKY WHEEL SPACER -(Includes item #22.)(Refer to Note: *) |

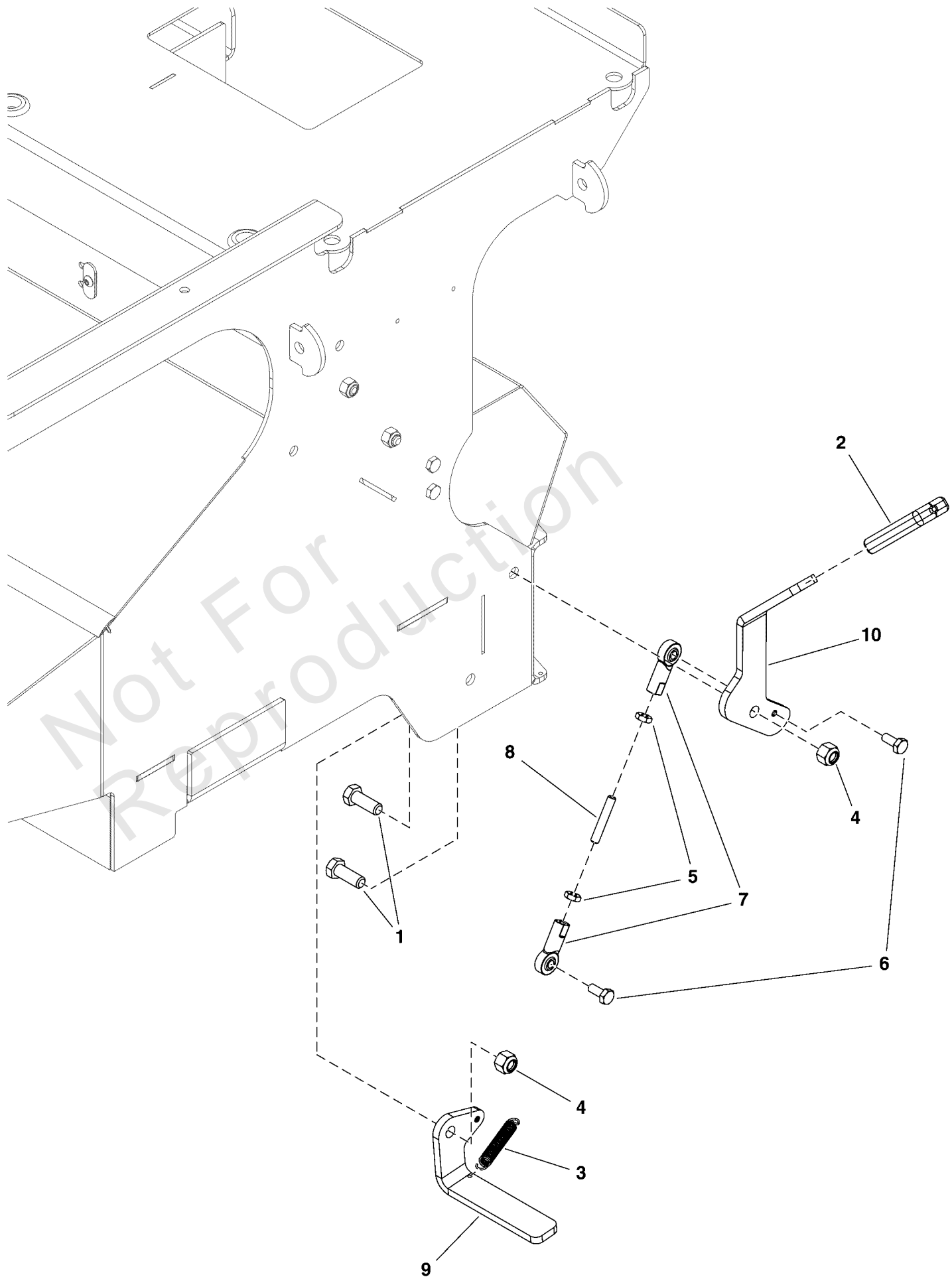
Footnotes:

Note: *This kit contains parts to do both sides of the unit.

Parking Brake Group

Note: Unless noted otherwise, use the standard torque specifications

Mfg. No: 5901752



Parking Brake Group

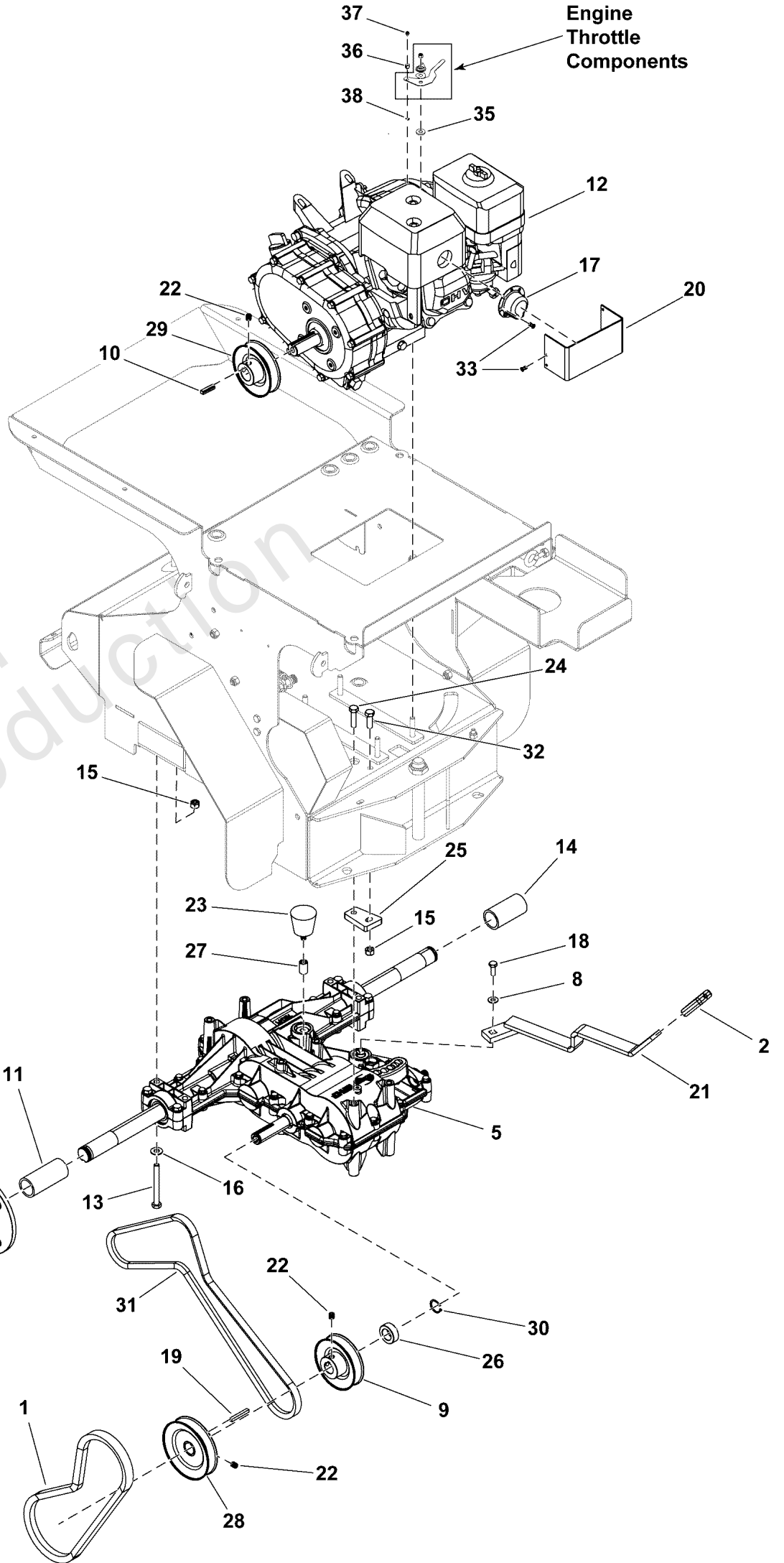
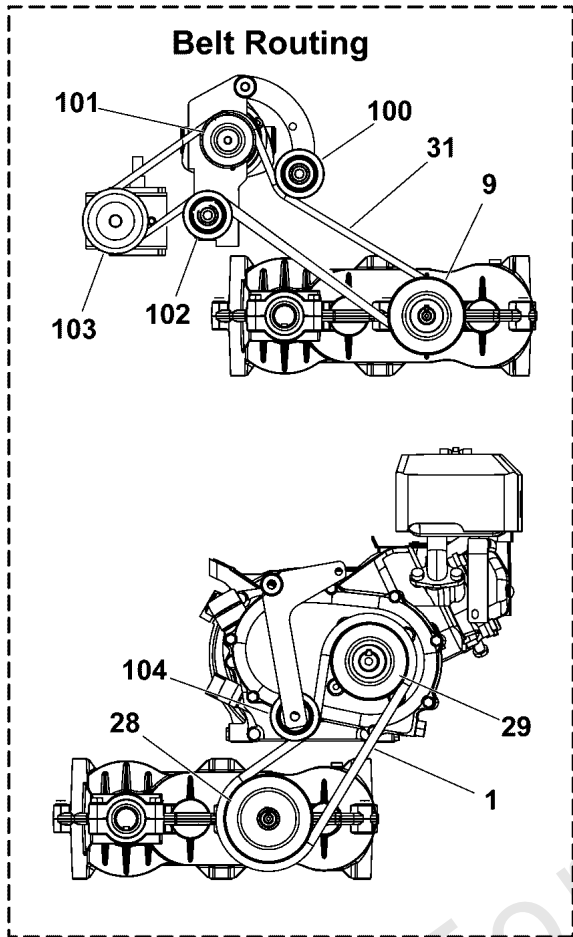
| REF NO | PART NO | QTY | DESCRIPTION |
|--------|----------|-----|---|
| 1 | 5025649 | 2 | SCR-CAP, HEX .375"-16 X 1.000" SS188 |
| 2 | 5105900 | 1 | GRIP, .188" X 1.00" ID X .150" THK CLSD CELL FOAM |
| 3 | 84010268 | 1 | SPRING, Extension |
| 4 | 5106006 | 2 | NUT-HEX-NYLK, .375"-16 SS188 |
| 5 | 5106016 | 2 | NUT-HEX, JAM .250"-28 SS188 |
| 6 | 5106029 | 2 | SCR-CAP, HEX .250"-20 X .625" SS188 |
| 7 | 5106173 | 2 | ROD END, FEMALE 1/4-28 RH SS PTFE RACE |
| 8 | 5106174 | 1 | ROD, THREADED .250"-28 X 1.500" SS188 |
| 9 | 5106280 | 1 | BRACKET, BRAKE BAR |
| 10 | 5417966 | 1 | HANDLE, PARK BRAKE |

Not For Reproduction

Power Transmission Group

Note: Unless noted otherwise, use the standard torque specifications

Mfg. No: 5901752



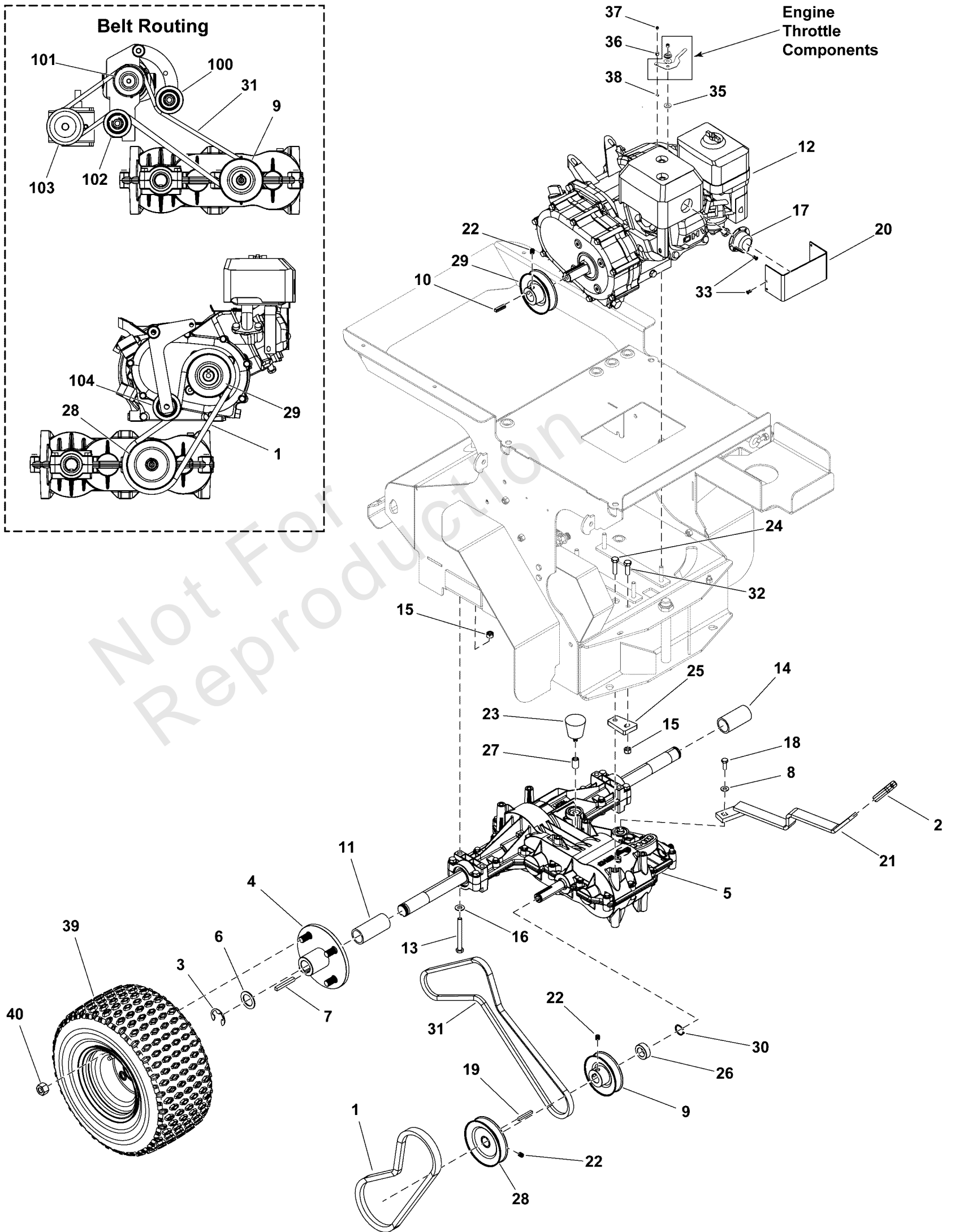
Power Transmission Group

| REF NO | PART NO | QTY | DESCRIPTION |
|--------|----------|-----|---|
| 1 | 5105884 | 1 | BELT, V, BX26 29.00 OC |
| 2 | 5105900 | 1 | GRIP, .188" X 1.00" ID X .150" THK CLSD CELL FOAM |
| 3 | 5105909 | 2 | E-RING, 1.000" SHAFT YZ |
| 4 | 5105920 | 2 | HUB, 1.00" BORE 4-BOLT X 4.00" BC |
| 5 | 5105934 | 1 | TRANSMISSION, PEERLESS 855-007D |
| 6 | 5105936 | 2 | WSHR-STL, FLT 1.000"X1.500"X.075" MAB ZP |
| 7 | 5105938 | 2 | KEY, .250" SQ. X 2" SS188 |
| 8 | 84008081 | 1 | WSHR-SS, BLV .281"X.875"x.066 |
| 9 | 5105968 | 1 | PULLEY, 3.50" O.D. x 0.750" I.D. V, A/B |
| 10 | 5105970 | 1 | KEY, .188"-.250" STEPPED X 1.00" LONG SS 304 -(S/N: 30000003969 and below) |
| 10 | 84008431 | 1 | PULLEY, Crankshaft -(S/N: 30000003970 and above) |
| 11 | 5105976 | 1 | SPCR-PVC 1.049" X 1.315" X 3.000 |
| 12 | 5105979 | 1 | ENGINE, PATHFINDER/XC |
| 13 | 5105980 | 4 | SCR-CAP, HEX .3125"-18 X 3.000" SS188 |
| 14 | 5105991 | 1 | SPCR-PVC 1.049" X 1.315" X 2.850" |
| 15 | 5105992 | 5 | NUT-HEX-NYLK, 0.3125"-18 SS188 |
| 16 | 5106009 | 4 | WSHR-STL, FLT .343" X .750" X .050" SPC SS188 |
| 17 | 5106020 | 1 | DEFLECTOR, EXHAUST HONDA GX160/GX200 |
| 18 | 5106032 | 1 | SCR-CAP, HEX .250"-28 X 0.750" SS188 |
| 19 | 5106038 | 1 | KEY, .188" SQ. X 1.50" SS303 |
| 20 | 5106077 | 1 | PLATE, VALVE MOUNTING |
| 21 | 5106152 | 1 | WELD, GEAR SHIFT LEVER |
| 22 | 5106185 | 6 | SCR-SH, SET .3125"-18 X .375" KCPT SS188 |
| 23 | 5106216 | 1 | BUMPER, 1.188OD X 1.50LG W/.3125-18 STUD |
| 24 | 5106233 | 1 | SCR-CAP, HEX .3125"-18 X 1.250" SS188 |
| 25 | 5106258 | 1 | PLATE, SPACER, TRANSMISSION |
| 26 | 5106259 | 1 | SPCR-UHMW .765" X 1.250" X .450" |
| 27 | 5106281 | 1 | SPACER, 0.50" OD X 5/16"-18 THRD X .80" LNG |
| 28 | 5106498 | 1 | PULLEY, 4.00" O.D. x 0.750" I.D. V, A/B |
| 29 | 5106499 | 1 | PULLEY, 3.50" O.D. x 0.875" I.D. V, A/B -(S/N: 30000003969 and below) |
| 29 | 84008432 | 1 | KEY, Drive Pulley -(S/N: 30000003970 and above) |
| 30 | 5106526 | 1 | RING, RETAINING EXTERNAL 3/4" ZP |
| 31 | 5106548 | 1 | BELT, V, A42 44.00 OC |
| 32 | 5106576 | 1 | SCR-CAP, HEX .3125"-18 X 1.000" SS188 |
| 33 | 5417956 | 6 | RIVET, BLIND .125" X 250" SS188 |
| 34 | 5106007 | 1 | SPRING, EXTENSION .25" OD X 1.00 LONG SS -(Not illustrated.) |
| 35 | 5109806 | 1 | WASHER, Nylon, Flat, .385" X .880" X .125" |
| 36 | 814106 | 1 | RETAINER, WIRE HEX 10MM |
| 37 | 80081803 | 1 | SCREW, HEX WASHER HEAD M4 X 0.7 - 6H |
| 38 | 813252 | 1 | RING, RETAINING |
| 39 | 5418044 | 2 | ASM, WHEEL&TIRE 18" X 9.50" W/ANTI-FREEZE |
| 40 | 5105964 | 8 | NUT-LUG, .500"-20 ZP |
| 100 | ----- | 1 | PUMP IDLER PULLEY -(Refer to Main Frame Group) |
| 101 | ----- | 1 | PUMP PULLEY -(Refer to Pump and Gearbox Group) |
| 102 | ----- | 1 | STATIONARY IDLER PULLEY -(Refer to Pump and Gearbox Group) |

Power Transmission Group

Note: Unless noted otherwise, use the standard torque specifications

Mfg. No: 5901752



Power Transmission Group

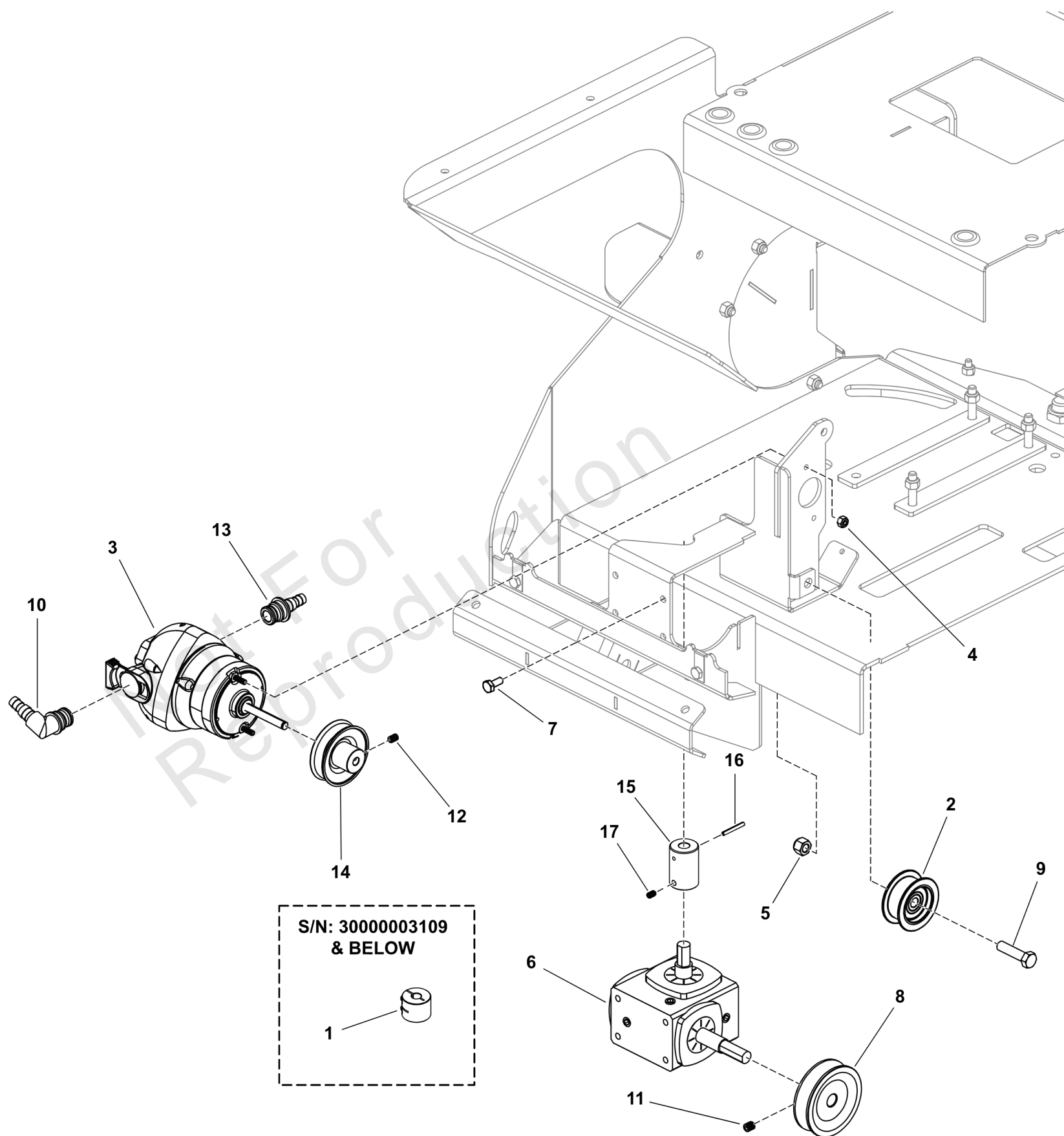
| REF NO | PART NO | QTY | DESCRIPTION |
|---------------|----------------|------------|--|
| 103 | ----- | 1 | GEARBOX PULLEY -(Refer to Pump and Gearbox Group) |
| 104 | ----- | 1 | TRANSAXLE IDLER PULLEY -(Refer to Main Frame Group) |

Not For Reproduction

Pump and Gearbox Group

Note: Unless noted otherwise, use the standard torque specifications

Mfg. No: 5901752



Pump and Gearbox Group

| REF NO | PART NO | QTY | DESCRIPTION |
|--------|---------|-----|--|
| 1 | 5601317 | 1 | KIT, PLATTER SHAFT COUPLING -(S/N: 30000003109 and below)(Refer to Note: **) |
| 2 | 5105890 | 1 | PULLEY IDLER 1.75" OD X 3/8" BORE |
| 3 | 5105919 | 1 | PUMP, PULLEY DRIVEN, 1.86 GPM |
| 4 | 5105963 | 2 | NUT-HEX-NYLK, #10-24 SS188 |
| 5 | 5106006 | 1 | NUT-HEX-NYLK, .375"-16 SS188 |
| 6 | 5108269 | 1 | GEAR REDUCER W/ Ø.375" SHAFT -(Refer to Note: *) |
| 6 | 5105931 | 1 | GEAR REDUCER W/ Ø.500" SHAFT -(Refer to Note: *) |
| 6 | 5106013 | 1 | GEAR REDUCER W/ 2.50" LONG Ø.500" SHAFT -(Refer to Note: *) |
| 7 | 5106029 | 4 | SCR-CAP, HEX .250"-20 X .625" SS188 |
| 8 | 5106041 | 1 | PULLEY, 2.95" O.D. x 0.500" I.D. V, A/B |
| 9 | 5106069 | 1 | SCR-CAP, HEX .375"-16 X 1.500" SS188 |
| 10 | 5106073 | 1 | FITTING, QUICK RELEASE 3/8 BARB 90 ELBOW |
| 11 | 5106185 | 1 | SCR-SH, SET .3125"-18 X .375" KCPT SS188 |
| 12 | 5106335 | 1 | SCR-SH, SET .250"-20 X .375" KCPT SS188 |
| 13 | 5106517 | 1 | FITTING, QUICK RELEASE 3/8 BARB STRAIGHT |
| 14 | 5106741 | 1 | PULLEY, 2.50" OD X .315 ID V, A/B -(Refer to Note: **) |
| 15 | 5109472 | 1 | COUPLING, SS, PLATTER SHAFT -(S/N: 30000003110 and above) |
| 16 | 5109473 | 1 | PIN, COILED SPG, SS, .125" DIA X 1.00"LG -(S/N: 30000003110 and above) |
| 17 | 5109474 | 1 | SCREW, SET, .190" DIA X .3125" LG. 18-8 -(S/N: 30000003110 and above) |

Footnotes:

Note: **Some older models may have featured a pulley and a bushing, the replacement pulley does not require the bushing.

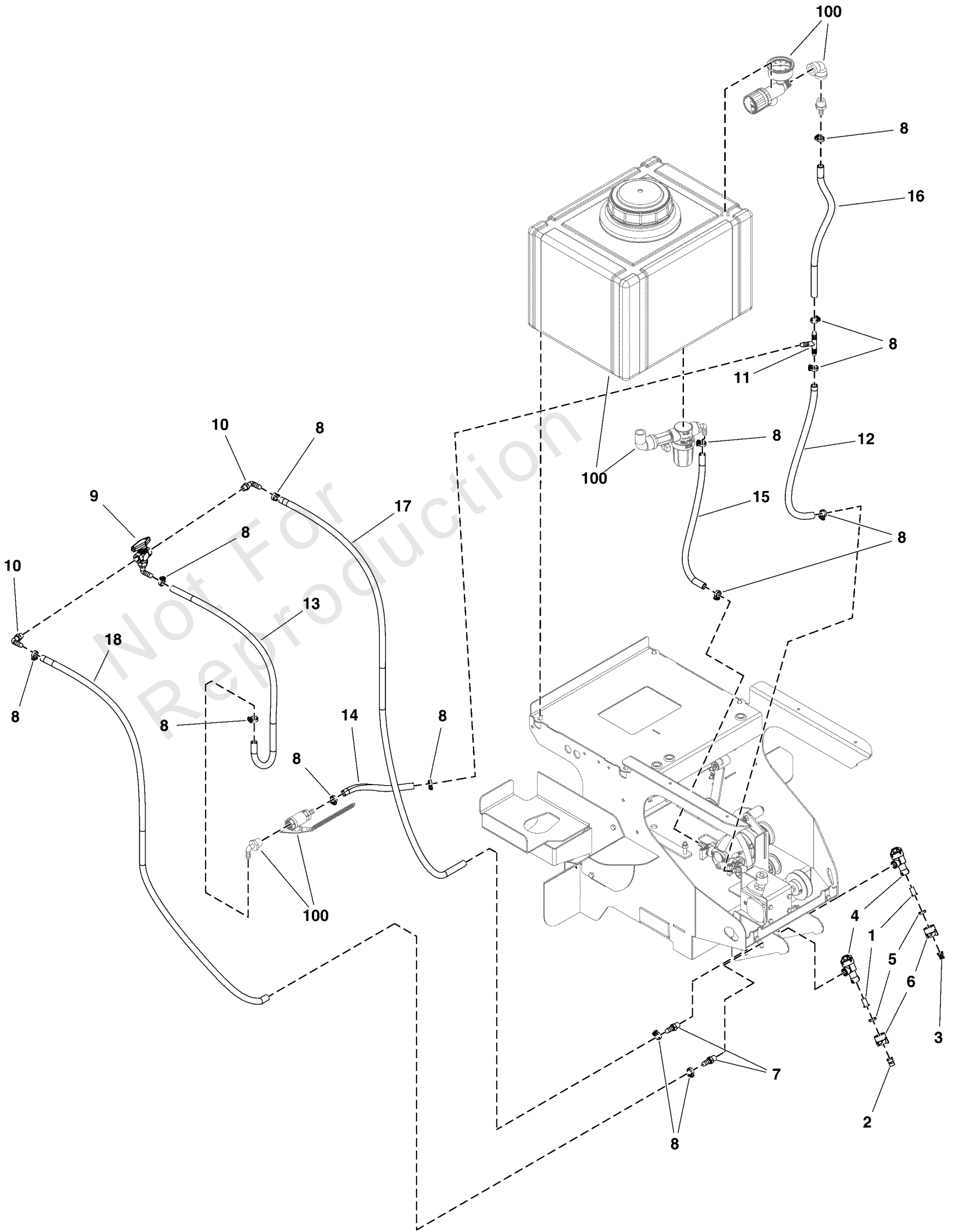
Note: *Measure the gearbox shafts prior to ordering.

Note:

Spray System Group

Note: Unless noted otherwise, use the standard torque specifications

Mfg. No: 5901752



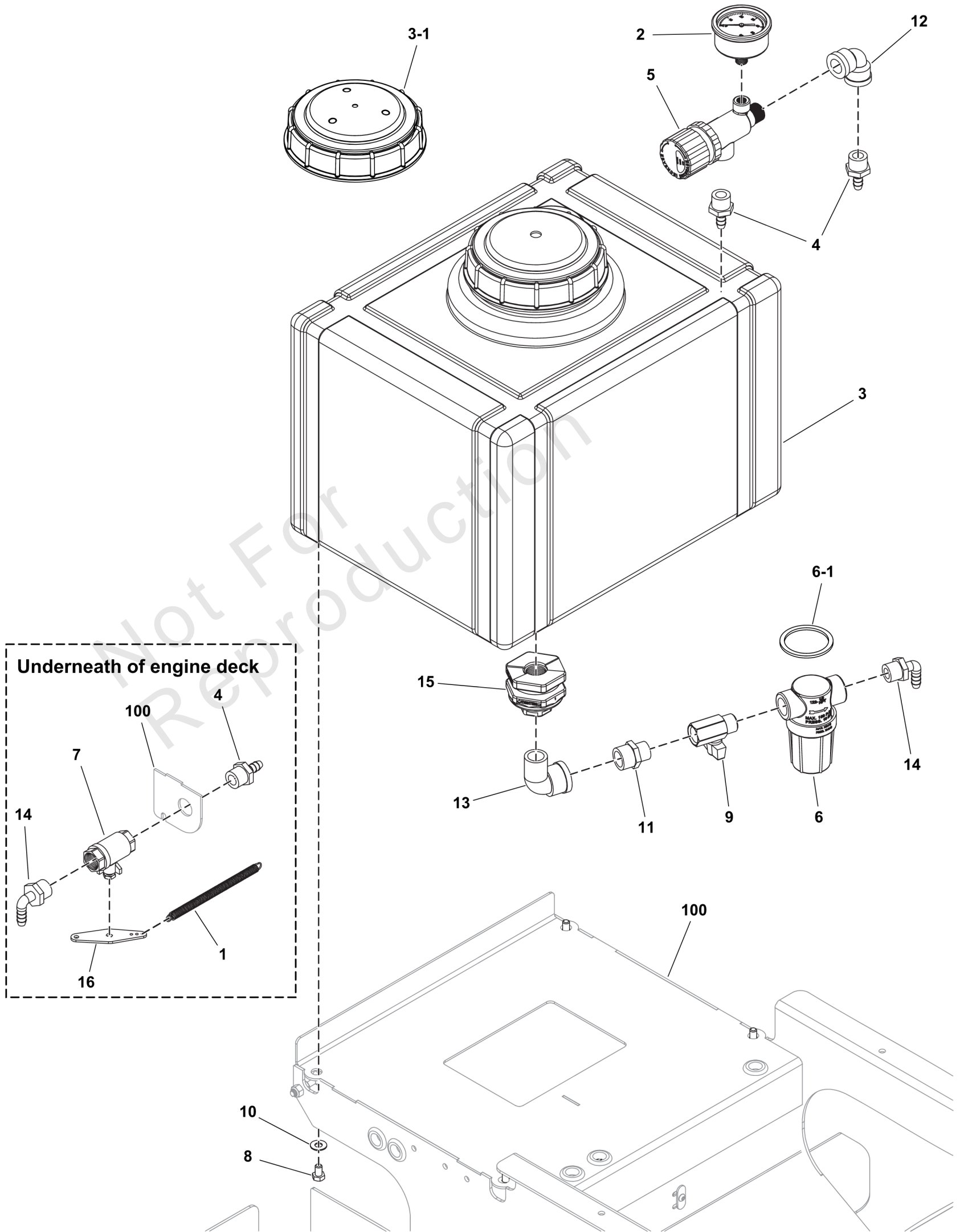
Spray System Group

| REF NO | PART NO | QTY | DESCRIPTION |
|--------|---------|-----|--|
| 1 | 5105904 | 2 | STRAINER, 50 MESH, POLYPROPYLENE TIP |
| 2 | 5105905 | 1 | NOZZLE, TURBO FLOODJET BROADCAST, TK-VS5 |
| 3 | 5105914 | 1 | NOZZLE, TURBO TRIM, TT11004VP |
| 4 | 5105918 | 2 | NOZZLE BODY ADAPTER |
| 5 | 5105924 | 2 | NOZZLE CAP SEAT GASKET, STANDARD |
| 6 | 5105932 | 2 | QUICK ATTACH CAP, STANDARD |
| 7 | 5105948 | 2 | FITTING, 1/4 MALE, 3/8 BARB |
| 8 | 5106683 | 14 | CLAMP, MINIATURE WORM GEAR MAH6 |
| 9 | 5106153 | 1 | VALVE, 1/4FNPT, 3-WAY |
| 10 | 5106158 | 3 | FITTING, 1/4NPT - 3/8 BARB, 90 ELBOW |
| 11 | 5106183 | 1 | FITTING, TEE 3/8 BARB |
| 12 | 5418077 | 1 | HOSE, .375 ID, 18" LONG |
| 13 | 5418095 | 1 | HOSE, SPRAY CONTROL, .375 ID, 32" LONG |
| 14 | 5418151 | 1 | HOSE, .375 ID, 8" LONG |
| 15 | 5418152 | 1 | HOSE, .375 ID, 13" LONG |
| 16 | 5418153 | 1 | HOSE, .375 ID, 16" LONG |
| 17 | 5418156 | 1 | HOSE, NARROW SPRAY, .375 ID, 51" LONG |
| 18 | 5418157 | 1 | HOSE, WIDE SPRAY, .375 ID, 49" LONG |
| 19 | 5418159 | 1 | HOSE, .375 ID, 15" LONG |
| 100 | ----- | 1 | Refer to: Tank Spray Group |

Spray Tank Group

Note: Unless noted otherwise, use the standard torque specifications

Mfg. No: 5901752



Spray Tank Group

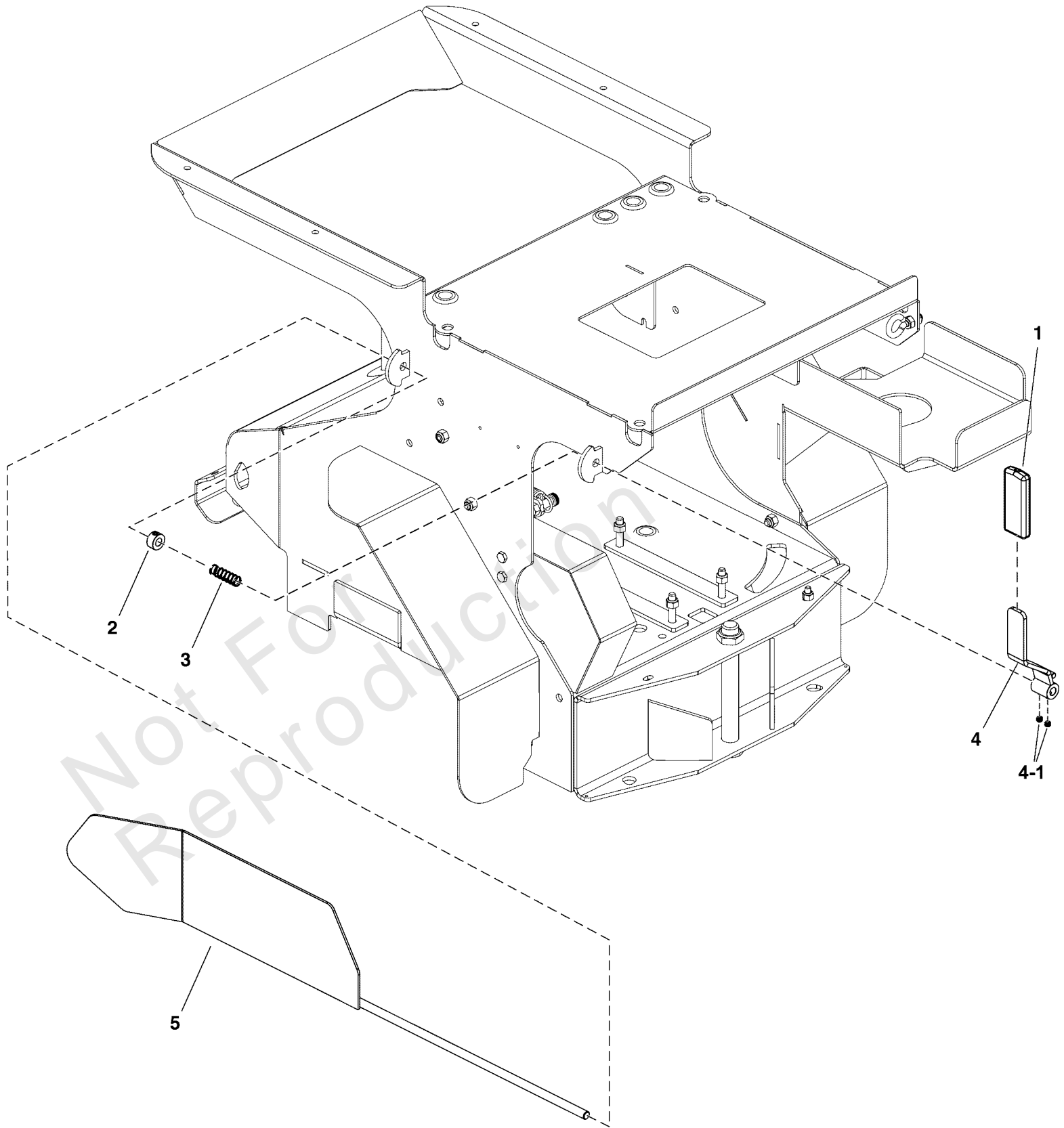
| REF NO | PART NO | QTY | DESCRIPTION |
|--------|----------|-----|---|
| 1 | 5105889 | 1 | SPRING, EXTENSION .64" OD X 4.00" LG SS |
| 2 | 5105941 | 1 | PRESSURE GAUGE, 60 PSI, BACK MOUNT |
| 3 | 5420627 | 1 | PATHFINDER LIQUID TANK - SERVICE ONLY -(Includes item #3-1 and #3-15). |
| 3-1 | 5105985 | 1 | LID, TANK, SPRAY (G0134) |
| 4 | 5105956 | 3 | FITTING, 1/2 MALE, 3/8 BARB |
| 5 | 5105959 | 1 | PRESSURE RELIEF VALVE, 150PSI |
| 6 | 84008892 | 1 | STRAINER -(Includes item #6-1.) |
| 6-1 | 84009456 | 1 | GASKET |
| 7 | 5105962 | 1 | BALL VALVE, 600 PSI |
| 8 | 5105996 | 4 | SCR-CAP, HEX .3125"-18 X .500" SS188 |
| 9 | 5106003 | 1 | VALVE, BALL, 1/2 MPT - 1/2 FPT |
| 10 | 5106009 | 4 | WSHR-STL, FLT .343" X .750" X .050" SPC SS188 |
| 11 | 5106059 | 1 | REDUCER BUSHING, 3/4NPT - 1/2NPT, NYLON |
| 12 | 5106080 | 1 | FITTING, 1/2FNPT - 1/2FNPT, 90 ELBOW |
| 13 | 5106167 | 1 | FITTING, 3/4NPT - 3/4FNPT, 90 ELBOW |
| 14 | 5106201 | 2 | FITTING, 1/2MNPT, 3/8 BARB, 90 ELBOW |
| 15 | 5106288 | 1 | FITTING, TANK BULKHEAD 3/4" POLY |
| 16 | 5418040 | 1 | PLATE, VALVE ACTUATOR ARM |
| 100 | ----- | 1 | FRAME -(Refer to Main Frame Group) |

Not For Production

Spreader Shield Group

Note: Unless noted otherwise, use the standard torque specifications

Mfg. No: 5901752



Spreader Shield Group

| REF NO | PART NO | QTY | DESCRIPTION |
|--------|---------|-----|--|
| 1 | 5105900 | 1 | GRIP, .188" X 1.00" ID X .150" THK CLSD CELL FOAM |
| 2 | 5106023 | 1 | COLLAR, SHAFT .375ID X .750OD X .375WD |
| 3 | 5106027 | 1 | SPRING, COMPRESSION .480" OD X 1.500 LONG SS |
| 4 | 5418739 | 1 | ASM, HANDLE DIVERTER W/GRIP PATHFINDER -(Includes items #1 and 4-1) |
| 4-1 | ----- | 2 | SET SCREW, 1/4"-20 X 3/16" Hex Socket |
| 5 | 5418182 | 1 | WELD, DIVERTER |

Not For Reproduction

Hardware Identification & Torque Specifications

| Torque Specification Chart | | | | | | | | |
|--|-----------|------|-----------|------|------------|------|------------|------|
| FOR STANDARD METRIC MACHINE HARDWARE (Tolerance ± 20%) | | | | | | | | |
| Property Class | 5.6 | | 8.8 | | 10.9 | | 12.9 | |
| | Class 5.6 | | Class 8.8 | | Class 10.9 | | Class 12.9 | |
| Size Of Hardware | in/lbs | Nm. | in/lbs | Nm. | in/lbs | Nm. | in/lbs | Nm. |
| | ft/lbs | | ft/lbs | | ft/lbs | | ft/lbs | |
| M3 | 5.88 | .56 | 13.44 | 1.28 | 19.2 | 1.80 | 22.92 | 2.15 |
| M4 | 13.44 | 1.28 | 30.72 | 2.90 | 43.44 | 4.10 | 52.56 | 4.95 |
| M5 | 26.4 | 2.50 | 60.96 | 5.75 | 5.97 | 8.10 | 7.15 | 9.7 |
| M6 | 44.64 | 4.3 | 7.3 | 9.9 | 10.3 | 14 | 12.1 | 16.5 |
| M7 | 5.2 | 7.1 | 12.1 | 16.5 | 16.9 | 23 | 19.9 | 27 |
| M8 | 7.7 | 10.5 | 17.7 | 24 | 25 | 34 | 29 | 40 |
| M10 | 15 | 21 | 35 | 48 | 50 | 67 | 59 | 81 |
| M12 | 26 | 36 | 61 | 83 | 86.2 | 117 | 103 | 140 |
| M14 | 42 | 58 | 101 | 132 | 136 | 185 | 162 | 220 |
| M16 | 64 | 88 | 147 | 200 | 210 | 285 | 250 | 340 |
| M18 | 89 | 121 | 202 | 275 | 287 | 390 | 346 | 470 |
| M20 | 126 | 171 | 290 | 390 | 405 | 550 | 486 | 660 |
| M22 | 169 | 230 | 390 | 530 | 559 | 745 | 656 | 890 |
| M24 | 217 | 295 | 497 | 375 | 708 | 960 | 840 | 1140 |
| M27 | 320 | 435 | 733 | 995 | 1032 | 1400 | 1239 | 1680 |
| M30 | 435 | 590 | 995 | 1350 | 1401 | 1900 | 1681 | 2280 |
| M33 | 590 | 800 | 1349 | 1830 | 1902 | 2580 | 2278 | 3090 |
| M36 | 759 | 1030 | 1740 | 2360 | 2441 | 3310 | 2935 | 3980 |
| M39 | 988 | 1340 | 2249 | 3050 | 3163 | 4290 | 3798 | 5150 |

| Torque Specification Chart | | | | | | |
|---|-------------|-------|-------------|-------|-------------|---------|
| FOR STANDARD MACHINE HARDWARE (Tolerance ± 20%) | | | | | | |
| Hardware Grade | No Marks | | SAE Grade 5 | | SAE Grade 8 | |
| | SAE Grade 2 | | SAE Grade 5 | | SAE Grade 8 | |
| Size Of Hardware | in/lbs | Nm. | in/lbs | Nm. | in/lbs | Nm. |
| | ft/lbs | | ft/lbs | | ft/lbs | |
| 8-32 | 19 | 2.1 | 30 | 3.4 | 41 | 4.6 |
| 8-36 | 20 | 2.3 | 31 | 3.5 | 43 | 4.9 |
| 10-24 | 27 | 3.1 | 43 | 4.9 | 60 | 6.8 |
| 10-32 | 31 | 3.5 | 49 | 5.5 | 68 | 7.7 |
| 1/4-20 | 66 | 7.6 | 8 | 10.9 | 12 | 16.3 |
| 1/4-28 | 76 | 8.6 | 10 | 13.6 | 14 | 19.0 |
| 5/16-18 | 11 | 15.0 | 17 | 23.1 | 25 | 34.0 |
| 5/16-24 | 12 | 16.3 | 19 | 25.8 | 29 | 34.0 |
| 3/8-16 | 20 | 27.2 | 30 | 40.8 | 45 | 61.2 |
| 3/8-24 | 23 | 31.3 | 35 | 47.6 | 50 | 68.0 |
| 7/16-14 | 30 | 40.8 | 50 | 68.0 | 70 | 95.2 |
| 7/16-20 | 35 | 47.6 | 55 | 74.8 | 80 | 108.8 |
| 1/2-13 | 50 | 68.0 | 75 | 102.0 | 110 | 149.6 |
| 1/2-20 | 55 | 74.8 | 90 | 122.4 | 120 | 163.2 |
| 9/16-12 | 65 | 88.4 | 110 | 149.6 | 150 | 204.0 |
| 9/16-18 | 75 | 102.0 | 120 | 163.2 | 170 | 231.2 |
| 5/8-11 | 90 | 122.4 | 150 | 204.0 | 220 | 299.2 |
| 5/8-18 | 100 | 136 | 180 | 244.8 | 240 | 326.4 |
| 3/4-10 | 160 | 217.6 | 260 | 353.6 | 386 | 525.0 |
| 3/4-16 | 180 | 244.8 | 300 | 408.0 | 420 | 571.2 |
| 7/8-9 | 140 | 190.4 | 400 | 544.0 | 600 | 816.0 |
| 7/8-14 | 155 | 210.8 | 440 | 598.4 | 660 | 897.6 |
| 1-8 | 220 | 299.2 | 580 | 788.8 | 900 | 1,244.0 |
| 1-12 | 240 | 326.4 | 640 | 870.4 | 1,000 | 1,360.0 |

The guides and ruler furnished below are designed to help you select the appropriate hardware.

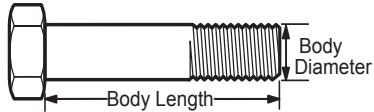


Nut, M8

Thread Diameter (mm)

Inside Diameter (in) Threads per inch

Nut, 1/2-16



Screw, M8- 1.25 x 25

Thread Diameter (mm) Distance between threads (mm) Body Length (mm)

Body Diameter Threads per inch Body Length (in)

Screw, 1/2- 16 x 2



Standard Hardware Sizing

When a washer or nut is identified as 1/2" (M8), this is the *Nominal size*, meaning the *inside diameter* is 1/2 inch (8mm metric thread diameter); if a second number is present it represents the *threads per inch* (distance between threads).

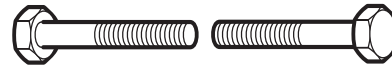
When bolt or capscrew is identified as 1/2 - 16 x 2" (M8 - 1.25 x 50), this means the *Nominal size*, or body diameter is 1/2 inch (8mm metric thread diameter), the second number, 16, represents the *threads per inch*, (*distance between threads*). The final number is the body length of the bolt or screw, 2 inches (50mm).

NOTES

- These torque values are to be used for all hardware excluding: locknuts, self-tapping screws, thread forming screws, sheet metal screws and socket head setscrews.
- Recommended seating torque values for locknuts:
 - for prevailing torque locknuts - use 65% of grade 5 torques.
 - for flange whizlock nuts and screws - use 135% of grade 5 torques.
- Unless otherwise noted on assembly drawings, all torque values must meet this specification.

Common Hardware Types

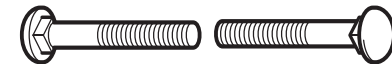
Hex Head Capscrew



Washer



Carriage Bolt



Hex Nut

Wrench & Fastener Size Guide

| | | | | |
|----------------------------------|----------------------------------|----------------------------------|--|---------------------------------|
| | | | | |
| 1/4" Bolt or Nut Wrench—7/16" | 5/16" Bolt or Nut Wrench—1/2" | 3/8" Bolt or Nut Wrench—9/16" | 7/16" Bolt or Nut Wrench (Bolt)—5/8" Wrench (Nut)—11/16" | 1/2" Bolt or Nut Wrench—3/4" |
| M6 Bolt or Nut Wrench—10mm | M8 Bolt or Nut Wrench—13mm | M10 Bolt or Nut Wrench—17mm | M12 Bolt or Nut Wrench—19mm | M14 Bolt or Nut Wrench—22mm |

