



Parts Manual

Mfg. No: 5902107
IS700Z Series w/ 52" Side Discharge iCD
Mower Deck (IS700ZB2752SS)



5600371 - 52" iCD FAST-Vac; 3-Bag Soft Top System (125XT/150XT/IS700/F160).....

5600789 - 52" iCD FAST-Vac; 3-Bag Hard Top Grass Collection System (700/150XT/F160).....

5600601 - 52" iCD TURBO-Pro; 2-Bag Grass Collection System (150XT/F160).....

5600608 - 52" iCD TURBO-Pro; 3-Bag Grass Collection System.....

5600783 - 52" iCD TURBO-Pro; 3-Bag Hard Top Grass Collection System (700/150XT/F160).....

5600584 - Mulch Kit for ZTR w/ 52" Deck - S/N: 2015866745 & Above.....

5600656 - Seat Adapter Kit, IS700Z.....

5600647 - Headlight Kit.....

5600891 - Roll Bar Mounted LED Headlight Kit.....

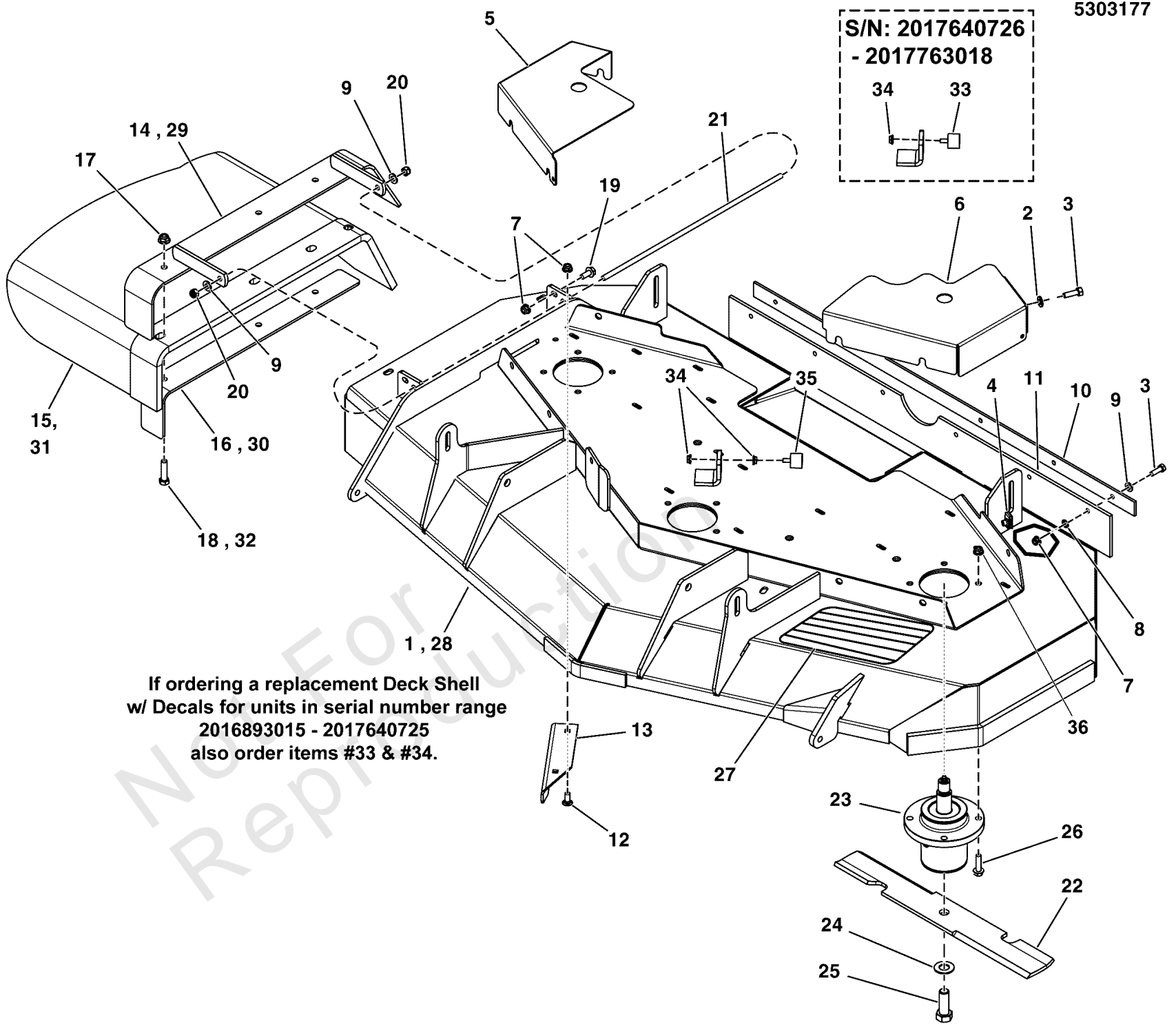
Not For
Reproduction

| Model Components | Page |
|---|-------------|
| 52" Mower Deck - Housing, Covers, Spindles & Blades..... | 4 |
| 52" Mower Deck - Pulleys, Belt, and Idler Arm S/N: 2018143579 and Above..... | 8 |
| 52" Mower Deck - Rollers..... | 10 |
| 52", 60", & 61" Mower Deck - Hanger Chains..... | 12 |
| Decal Group - Brand and Model..... | 14 |
| Decal Group - Safety & Operation USA Models..... | 16 |
| Deck Lift Group - S/N: 2017954956 & Above..... | 18 |
| Electrical Group - Briggs & Stratton S/N: 2017612395 & Above..... | 20 |
| Electrical Schematic - Charging Circuit B&S 44T977, 49T877 S/N: 2017954956 & Above..... | 22 |
| Electrical Schematic - Cranking Circuit B&S 44T977, 49T877 S/N: 2017954956 & Above..... | 24 |
| Electrical Schematic - Ign. Grounding Circuit/Op. Pres. B&S 44T977, 49T877 S/N: 2017954956 & Above..... | 26 |
| Electrical Schematic - PTO Clutch Circuit B&S 44T977, 49T877 S/N: 2017954956 & Above..... | 28 |
| Engine and PTO Group - Briggs & Stratton CXi..... | 30 |
| EVAP Group - S/N : 2016816350 & Above..... | 32 |
| Fuel Supply Hose & Tank Replacement Parts..... | 34 |
| Fuel Tank & Mount Group..... | 36 |
| Hydraulic Group..... | 38 |
| Instrument Control Panel..... | 40 |
| Main Frame & Front Suspension Group..... | 42 |
| Motion Control Group - Control System..... | 44 |
| Motion Control Group - Handles & Dampeners..... | 46 |
| Parking Brake Group..... | 48 |
| Rear Bumper and ROPS Group..... | 50 |
| Rear Suspension Group..... | 52 |
| Seat Mount and Floor Group S/N: 4001827762 and Above..... | 54 |
| Spindle SERVICE PARTS - 5061095..... | 56 |
| Transaxle Drive Group..... | 58 |
| Transaxle SERVICE Parts - Hydro-Gear ZT3200 (5106643_5106642)..... | 62 |
| Wheel and Tire Group..... | 66 |
| Torque Specification Chart..... | 68 |

52" Mower Deck - Housing, Covers, Spindles & Blades

Note: Unless noted otherwise, use the standard torque specifications

Mfg. No: 5902107



If ordering a replacement Deck Shell w/ Decals for units in serial number range 2016893015 - 2017640725 also order items #33 & #34.

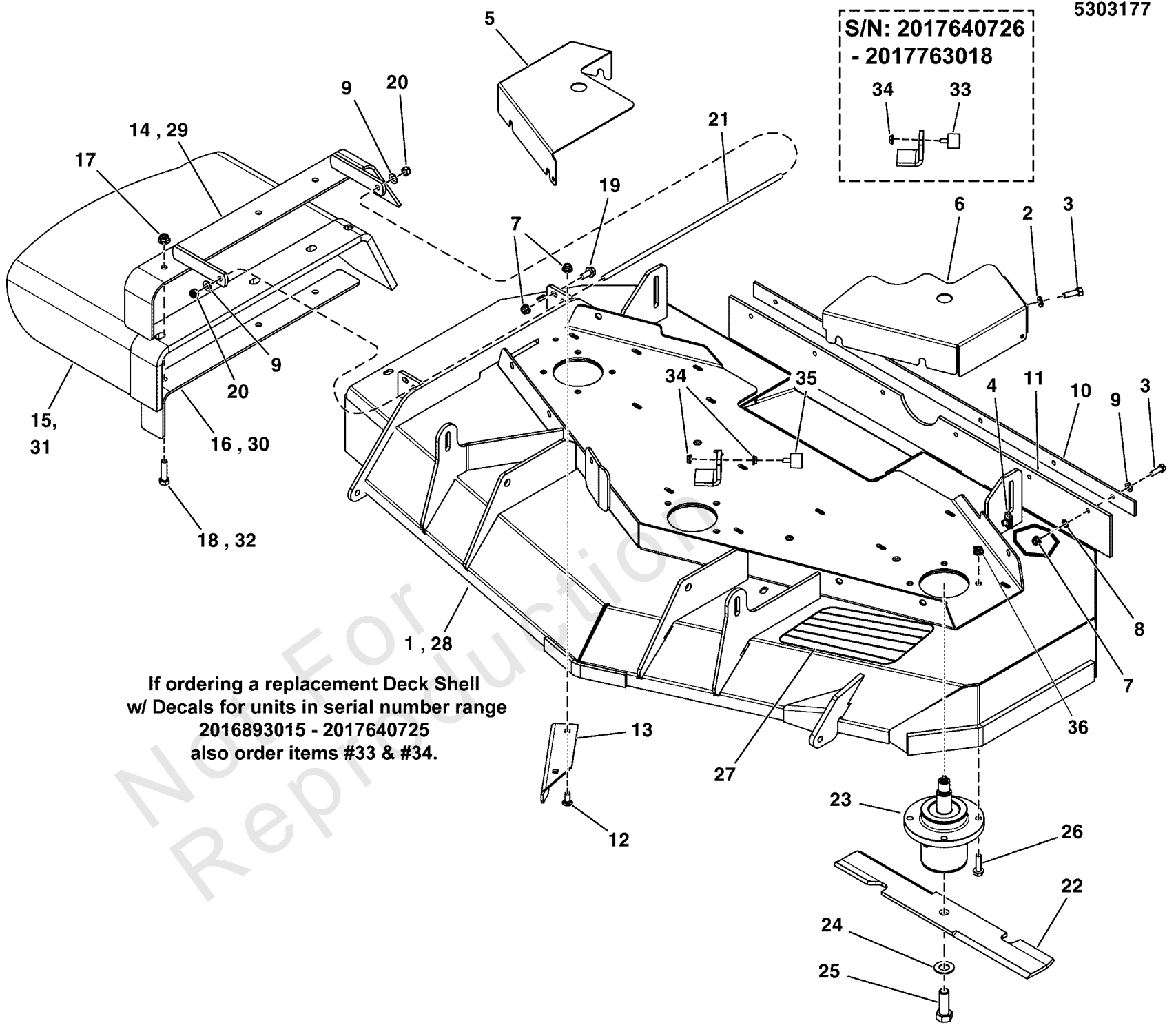
52" Mower Deck - Housing, Covers, Spindles & Blades

| REF NO | PART NO | QTY | DESCRIPTION |
|--------|------------|-----|--|
| 1 | 5600652 | 1 | DECK SHELL W/ DECALS, 52, IS700Z (SV) -(5410273B)(S/N: 2016893014 & Below) |
| 1 | 5600810 | 1 | DECK SHELL W/DECALS, 700-52 (5422053B) -(5422053B)(S/N: 2016893015 & Above) |
| 2 | 5025155 | 6 | WASHER, 5/16" SAE |
| 3 | 5025011X8 | 6 | BOLT, 5/16-18 X 1 GD5 YZ -(Qty: 12 - S/N: 2017612049 & Below) |
| 4 | 5022308 | 6 | BODY CLIP, 5/16-18-7GA MATERIAL |
| 5 | 5415634B | 1 | GUARD, RH 52", 560/700/125 |
| 6 | 5410492B | 1 | GUARD, 52 DECK, IS700, LH - RED |
| 7 | 5025392 | 3 | NUT, 5/16-18 HEX NYLOCK FLANGE -(Qty: 21 - S/N: 2017612049 & Below) |
| 8 | 5025498 | 6 | 5/16 PUSH-ON NUT RETAINER, STL, CZ -(S/N: 2017612049 & Below) |
| 9 | 5025155 | 2 | WASHER, 5/16" SAE -(Qty: 8 - S/N: 2017612049 & Below) |
| 10 | 5405238A | 1 | PLATE, SUPPORT - BLK -(S/N: 2017612049 & Below) |
| 11 | 5102015 | 1 | FLAP, STRIPER, 52 DECK -(S/N: 2017612049 & Below) |
| 12 | 5025145X6 | 2 | BOLT, 5/16-18 X 3/4, CARRIAGE |
| 13 | 5405557A | 1 | PLATE, DEFLECTOR, 52 DECK - BLK |
| 14 | 5410498A | 1 | WELD, FRAME, CHUTE, 52 - BLK -(S/N: 2017100600 & Below) |
| 15 | 5410575YP | 1 | CHUTE, Discharge -(S/N: 2017100600 & Below) |
| 16 | 5410404A | 1 | SUPPORT, DISCHARGE CHUTE, 52 - BLK -(S/N: 2017100600 & Below) |
| 17 | 5025394 | 3 | NUT, 3/8-16 HEX NYLOCK FLANGE |
| 18 | 5025013X12 | 3 | BOLT, 3/8-16 X 1-1/2" GD5 CZ -(S/N: 2017100600 & Below) |
| 19 | 5025011X6 | 1 | BOLT, 5/16-18 X 3/4 GD5 |
| 20 | 5025045 | 2 | NUT, 5/16-24 HEX NYLON LOCK |
| 21 | 5061300 | 1 | ROD, MOUNT, CHUTE 61, CZ |
| 22 | 5101756S | 3 | BLADE, 18 X .25 X 2.5, 1 X 3.5 (SET OF 3) |
| 23 | 5061095 | 3 | ASSM, SPINDLE, LOW PROFILE -(Nut and Washer Sold Separately) |
| 24 | 5025477 | 3 | WASHER, 5/8 GRADE 8, YZ |
| 25 | 5025320X14 | 3 | BOLT, 5/8-11 X 1-3/4 GD8 |
| 26 | 5025390X10 | 12 | BOLT, 3/8-16 X 1-1/4, FLANGE, GD 5, CZ |
| 27 | 5101004 | 1 | SAFETY WALK, 4.00 X 7.50 |
| 28 | 5600675 | 1 | DECK SHELL W/DECALS, 52, IS700Z, ANSI-EXP (SV) -(5410273B)(S/N: 2016893014 & Below) |
| 28 | 5600811 | 1 | DECK SHELL W/DECALS, 700-52, (5422053B) -(5422053B)(S/N: 2016893015 & Above) |
| 29 | 5413400A | 1 | WELD, MOUNT, DISCHARGE CHUTE - BLK -(S/N: 2017100601 & Above) |
| 30 | 5413398A | 1 | SUPPORT, DISCHARGE CHUTE - BLK -(S/N: 2017100601 & Above) |
| 31 | 84011105 | 1 | CHUTE, RUBBER DISCHARGE (5104442) -(S/N: 2017100601 & Above) |
| 32 | 5025146X12 | 3 | BOLT, 3/8-16 X 1-1/2, CARRIAGE, GD5, CZ -(S/N: 2017100601 & Above) |
| 33 | 5022673 | 1 | BUMPER, RUBBER 1/4-20 -(S/N: 2017640726 - 2017763018) |
| 34 | 5025126 | 2 | NUT, 1/4-20 HEX SERR. FLANGE -(Qty: 1 - S/N: 2017640726 - 2017763018) |

52" Mower Deck - Housing, Covers, Spindles & Blades

Note: Unless noted otherwise, use the standard torque specifications

Mfg. No: 5902107



S/N: 2017640726
- 2017763018

5303177

If ordering a replacement Deck Shell
w/ Decals for units in serial number range
2016893015 - 2017640725
also order items #33 & #34.

52" Mower Deck - Housing, Covers, Spindles & Blades

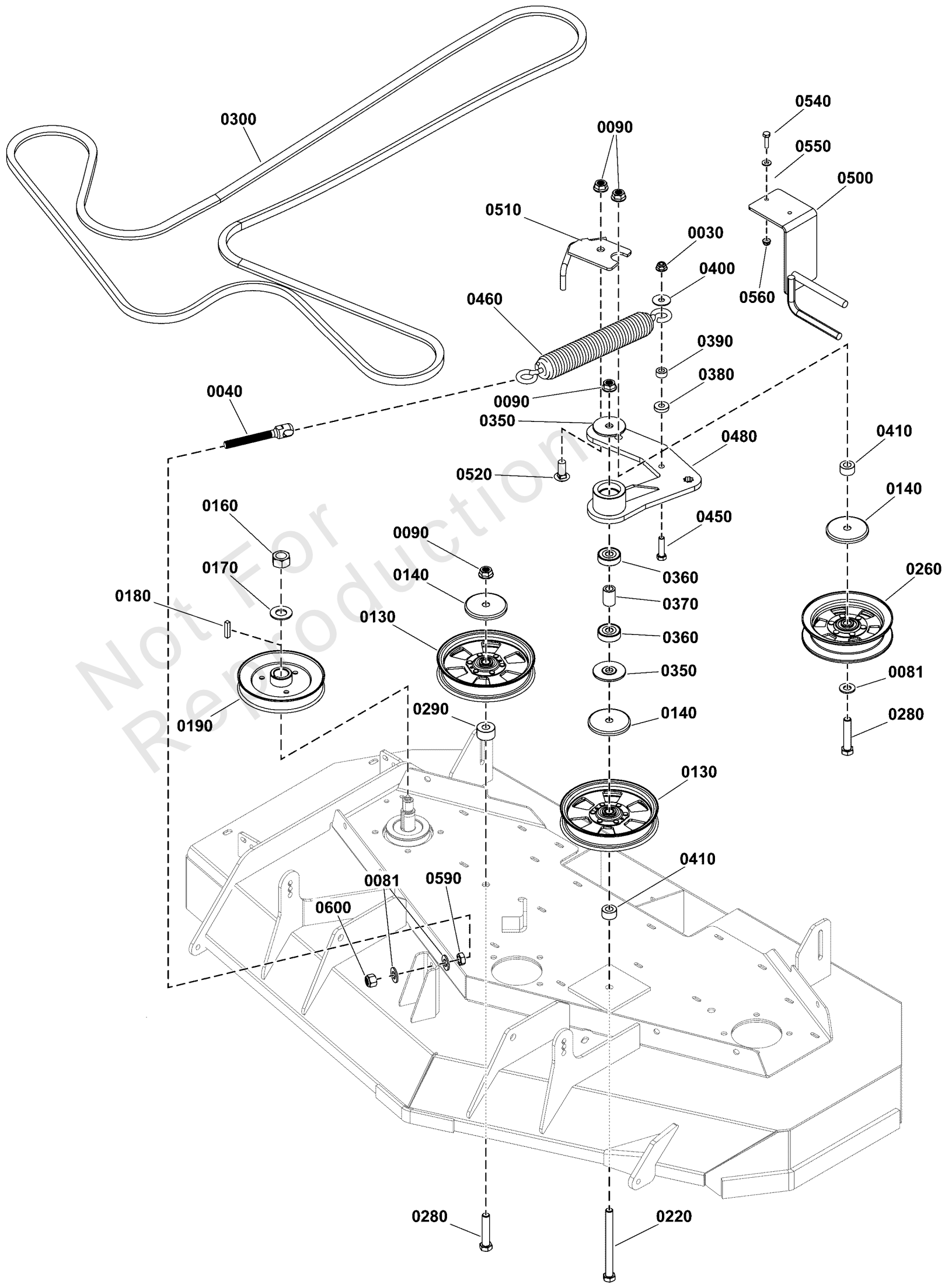
| REF NO | PART NO | QTY | DESCRIPTION |
|--------|---------|-----|--|
| 35 | 5105237 | 1 | BUMPER, RUBBER, 1/4-20 X 7/8" STUD -(S/N: 2017763019 & Above) |
| 36 | 5025394 | 12 | NUT, 3/8 - 16 HEX NYLOCK FLANGE |

Not For Reproduction

52" Mower Deck - Pulleys, Belt, and Idler Arm S/N: 2018143579 and Above

Note: Unless noted otherwise, use the standard torque specifications

Mfg. No: 5902107



52" Mower Deck - Pulleys, Belt, and Idler Arm S/N: 2018143579 and Above

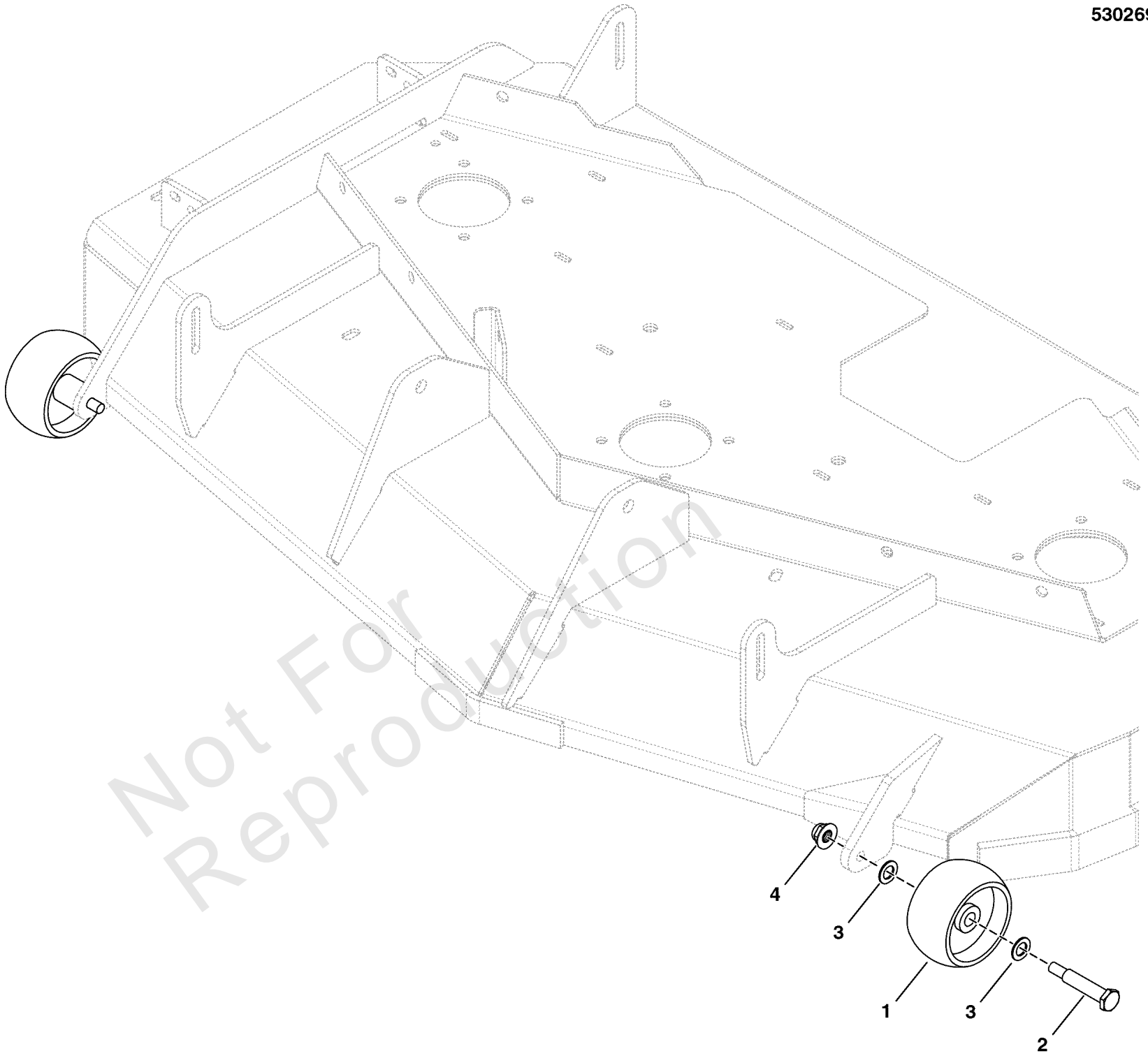
| REF NO | PART NO | QTY | DESCRIPTION |
|--------|------------|-----|---|
| 0030 | 5025394 | 1 | NUT, 3/8 - 16 HEX NYLOCK FLANGE |
| 0040 | 5105844 | 1 | SPRING PULLER, 1/2-20, 5.00 |
| 0081 | 5025158 | 3 | WASHER, 1/2 SAE |
| 0090 | 5025396 | 4 | NUT, Hex Flange, Nylock, 1/2-13 |
| 0130 | 5104717 | 2 | PULLEY, FLT IDLR, 6.0 X 1.0 X .50, CZ |
| 0140 | 5105145 | 3 | SHIELD, BEARING, 1/2 ID X 2-7/8 OD, CZ |
| 0160 | 5025405 | 3 | NUT, 3/4-16 Hex |
| 0170 | 5025406 | 3 | WASHER, 3/4 BELLEVILLE CL/ZC |
| 0180 | 5050407X10 | 3 | KEY, 1/4" SQ. X 1-1/4 |
| 0190 | 5101351 | 3 | PULLEY, 5.926OB X .985ID, SINGLE B-SEC |
| 0220 | 5025017X44 | 1 | BOLT, 1/2-13 X 5-1/2" GD5 YZ |
| 0260 | 5104716 | 1 | PULLEY, IDLER, BACKSIDE, NOSEAM 6.25ODX.5ID |
| 0280 | 5025017X20 | 2 | BOLT, 1/2-13 X 2-1/2" GD5 CZ |
| 0290 | 5047142 | 1 | SPACER, .52 X 1.25 X .70, PM, CZ |
| 0300 | 5103927 | 1 | BELT, 5V, 162.40"EL, ARAMID WRPD, RC |
| 0350 | 5104379 | 2 | SPACER, IDLER ARM, 1/2 X 2.25 |
| 0360 | 5104383 | 2 | BEARING, 6203-1/2", SEALED |
| 0370 | 5104456 | 1 | SPACER, .51 X .84 X 1.22, PM, CZ |
| 0380 | 5044960 | 1 | SPACER, .39 X 1.00 X .25, PM, CZ |
| 0390 | 5044933 | 1 | SPACER, .39 X .75 X .38, PM, CZ |
| 0400 | 5025165 | 1 | WASHER, 3/8" Fender |
| 0410 | 5101162 | 2 | SPACER, .52 X 1.00 X .56, PM, CZ |
| 0450 | 5025013X12 | 1 | BOLT, 3/8-16 X 1-1/2" GD5 CZ |
| 0460 | 5104166 | 1 | SPRING, EXT, 1.5ODX12.25X.234WIRE BLK |
| 0480 | 5415907AYP | 1 | IDLER, Arm |
| 0500 | 5415938AA | 1 | WELD, CLUTCH BELT GUIDE - BLK |
| 0510 | 84003145 | 1 | GUIDE, BELT |
| 0520 | 5025324X10 | 1 | BOLT, CARRIAGE 1/2-13 X 1-1/4 GD.5 |
| 0540 | 5025010X8 | 2 | BOLT, 1/4-20 X 1" GD5 CZ |
| 0550 | 5025154 | 2 | WASHER, 1/4 SAE |
| 0560 | 5025391 | 2 | NUT, 1/4-20 Hex Nylock Flange |
| 0590 | 5025098 | 1 | NUT, Hex, Nylon Lock, 1/2-20 |
| 0600 | 5025089 | 1 | NUT, 1/2-20 Hex Jam |

52" Mower Deck - Rollers

Note: Unless noted otherwise, use the standard torque specifications

Mfg. No: 5902107

5302697



52" Mower Deck - Rollers

| REF NO | PART NO | QTY | DESCRIPTION |
|--------|----------|-----|--|
| 1 | 1714760 | 2 | WHEEL- 2.00 WIDE 3.88 DIA 0.531ID POLY |
| 2 | 2108765 | 2 | BOLT-WHEEL 3/8-16X2.781 .750 THRD |
| 3 | 80003590 | 4 | WASHER,.516IDX.875ODX.06,FLAT,ZC/CL |
| 4 | 5025100 | 2 | NUT, 3/8-16 HEX SIDE LOCK |

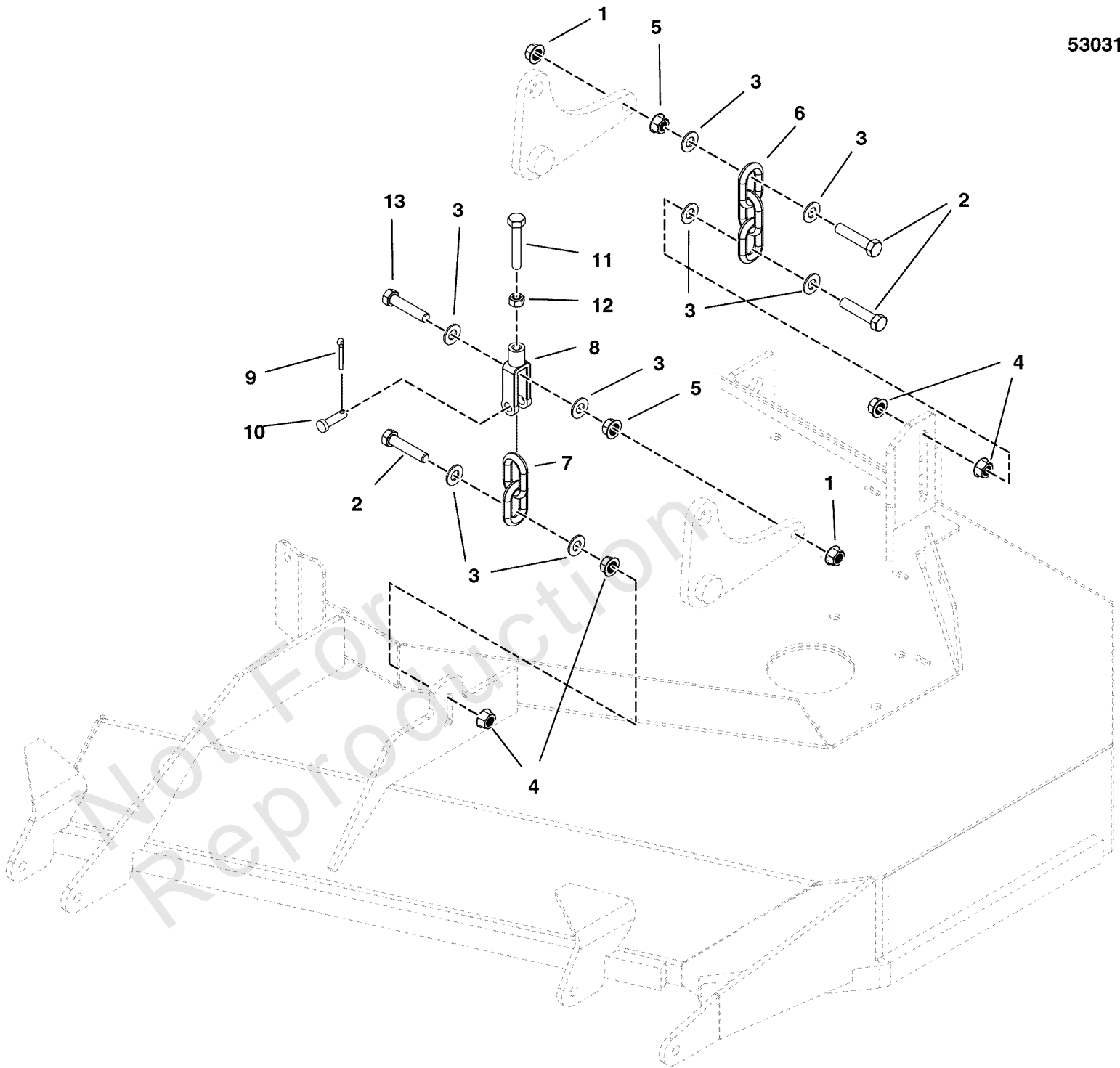
Not For Reproduction

52", 60", & 61" Mower Deck - Hanger Chains

Note: Unless noted otherwise, use the standard torque specifications

Mfg. No: 5902107

5303178



52", 60", & 61" Mower Deck - Hanger Chains

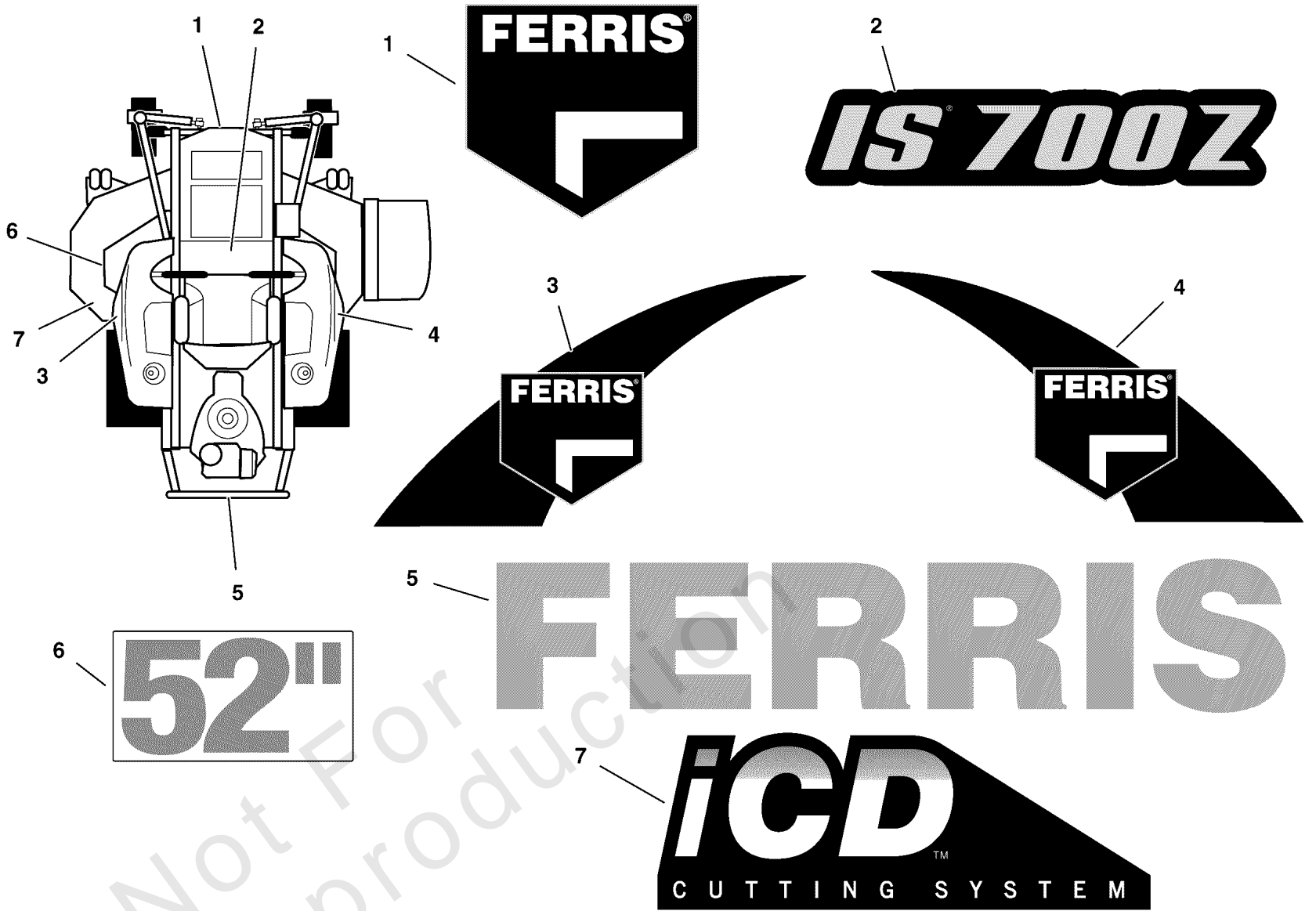
| REF NO | PART NO | QTY | DESCRIPTION |
|--------|------------|-----|---|
| 1 | 5025394 | 4 | NUT, 3/8-16 HEX NYLOCK FLANGE |
| 2 | 5025013X14 | 6 | BOLT, 3/8-16 X 1-3/4" GD5 CZ |
| 3 | 5025156 | 16 | WASHER, 3/8 SAE |
| 4 | 5025128 | 8 | NUT, 3/8-16 HEX SERRATED FLANGE |
| 5 | 5025084 | 4 | NUT, 3/8-16 HEX JAM |
| 6 | 5050878X3 | 2 | CHAIN, 5/16 GD30, 3 LINKS |
| 7 | 5050878X2 | 2 | CHAIN, 5/16 GD30, 2 LINKS |
| 8 | 5100375 | 2 | CLEVIS, 5/16-18, 3/8 PIN HOLE, CLR ZINC |
| 9 | 80002736 | 2 | PIN, 3/32 X 0.750, COT, ZINC/CLEAR |
| 10 | 5025214X9 | 2 | PIN, CLEVIS, 3/8 X 1-1/8, CZ |
| 11 | 5025055X16 | 2 | BOLT, 5/16-18 X 2 GD5 TFL |
| 12 | 5025032 | 2 | NUT, 5/16-18 HEX |
| 13 | 80003522 | 2 | HHCS, 3/8-16 X 2.00, GR5, ZINC/CLEAR |

Not For Reproduction

Decal Group - Brand and Model

Note: Unless noted otherwise, use the standard torque specifications

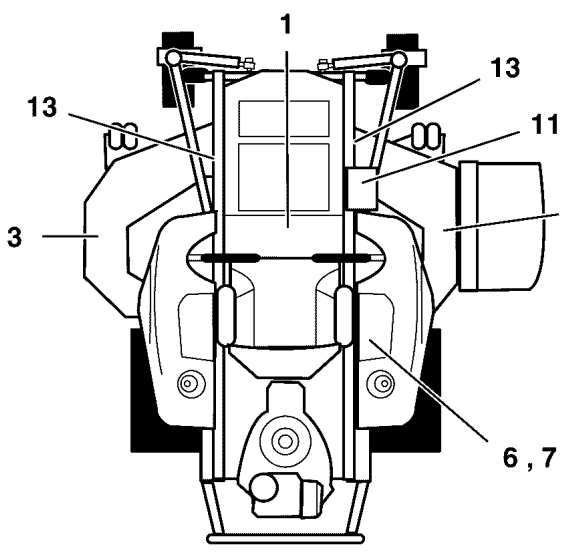
Mfg. No: 5902107



Decal Group - Brand and Model

| REF NO | PART NO | QTY | DESCRIPTION |
|--------|-----------|-----|-------------------------------|
| 1 | 5104755FS | 1 | DECAL, BRAND |
| 2 | 5104761FS | 1 | DECAL, MODEL |
| 3 | 5109091 | 1 | DECAL, TANK, SML, LH, FERRIS |
| 4 | 5109092 | 1 | DECAL, TANK, SML, RH, FERRIS |
| 5 | 5103799 | 1 | DECAL, FERRIS, 2.23" X 11.39" |
| 6 | 5022812 | 1 | DECAL, 52 |
| 7 | 5102210 | 1 | DECAL, iCD CUTTING SYSTEM |

Not For Reproduction



WARNING

Avoid serious injury or death

- Read operator's manual before using this product.
- Do NOT operate this machine unless you are trained.
- Know the location and function of all controls.
- Keep safety devices (guards, shields, switches, etc.) in place and working.
- Remove objects that could be thrown by the blade.
- Be sure blades and engine are stopped before placing hands or feet near blades.
- When leaving machine, shut off, remove key and set parking brake.

Fire Hazard
Gasoline is flammable. Yard debris is combustible.

- Allow engine to cool for at least 3 minutes before refueling.
- Keep unit cleaned of yard debris.
- This equipment may create sparks that can start fires around dry vegetation. A spark arrester may be required. Contact local fire agencies for regulations relating to fire prevention requirements.

DANGER

Rotating blades cut off arms and legs.

- Stop the mower when children or others are near.
- Do not carry riders (especially children) even with the blades off. They may fall off or return for another ride when you are not expecting it.
- Lock down, behind and to the side before changing directions.

Operating on slopes can be hazardous and cause loss of control and roll-overs.

- Do not operate on slope over 15 degrees.
- Avoid sudden turns or rapid speed changes.
- Reduce speed and use extreme caution on slopes.
- Avoid turning down slopes; if possible turn up slopes.
- If machine slopes forward motion on a slope, stop the blades and drive slowly off the slope.

Wheels dropping over edges may result in serious injury, death or crowning.

- Do NOT operate down slopes downwards or near water, retaining walls or drop-offs.
- Save yourself a minimum of two mower widths of clearance around these hazards.

Wet or soft slopes can cause sliding and loss of control.

- Do NOT operate on slopes when grass is wet.
- Do NOT operate on slopes when soil is soft (such as after heavy rains).

WARNING

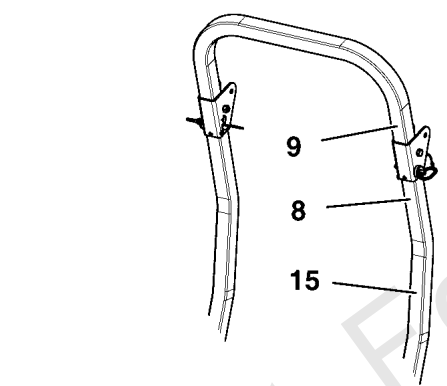
Amputation and Pinch Point Hazard

To avoid injury from rotating parts, stay clear of parts and keep all shields and guards in place.

DANGER

Amputation and thrown objects hazard

- Keep hands and feet away from deck.
- Do not operate mower unless discharge chute or entire grass catcher is in its proper place.



WARNING

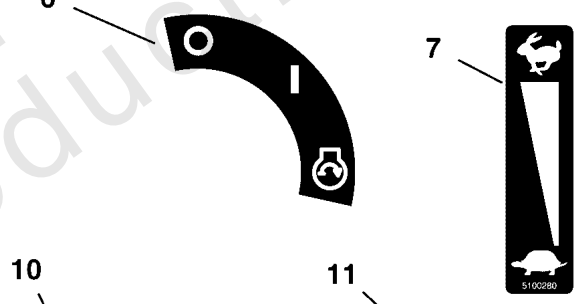
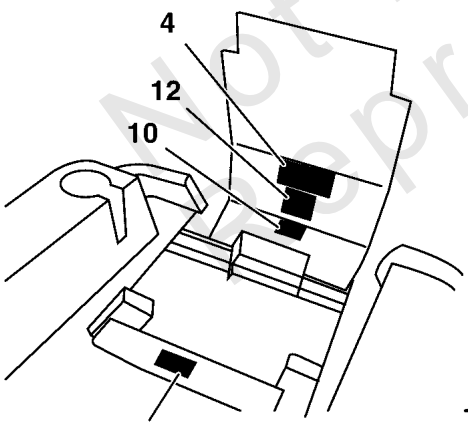
Transaxle Release Lever Location

Ignition System (Gasoline Models)
This spark ignition system complies with Canadian standard ICES-002

WARNING

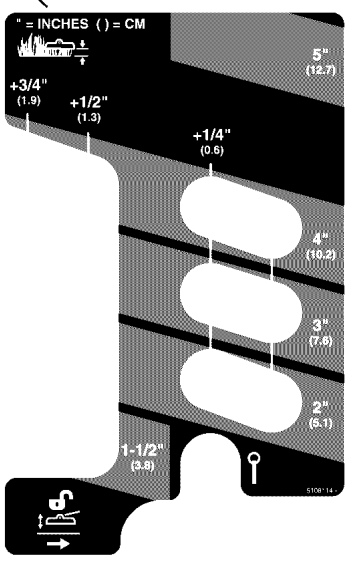
Avoid serious injury or death from rollover.

Do not operate without the rollbar installed and operational.



HYDRAULIC OIL RESERVOIR

USE SAE 20W-50 MOTOR OIL



Belts & Blades

| Tractor | | |
|------------------|---------|--|
| Pump Drive Belt | 5103653 | |
| 52" Mower | | |
| Deck Drive Belt | 5103748 | |
| Mower Blade | 5101756 | |
| 61" Mower | | |
| Deck Drive Belt | 5103391 | |
| Mower Blade | 5101755 | |

WARNING

AVOID SERIOUS INJURY OR DEATH FROM ROLL OVER:

Keep roll bar in the raised position and use seat belt.

THERE IS NO ROLL OVER PROTECTION WHEN THE ROLL BAR IS DOWN

Lower the roll bar only when necessary and NEVER remove it.

Do NOT use seat belt when the roll bar is down.

Raise the roll bar as soon as clearance permits.

Do NOT jump off if mower tips.

Read and follow all operating instructions and warnings in the operator's manual.

WARNING

LOW OVERHANGING OBSTACLES HAZARD

Check for overhead clearances before driving under any objects. Do NOT allow roll bar to contact low overhanging obstacles, such as tree branches and guide wires.

CAUTION

ROLL OVER PROTECTIVE STRUCTURE

To maintain operator protection and roll bar certification:

- Replace a damaged roll bar, do NOT attempt to repair or modify.
- Any alteration of the roll bar must be approved by the manufacturer.
- DO NOT exceed the machine weight rating of the roll bar.

WARNING

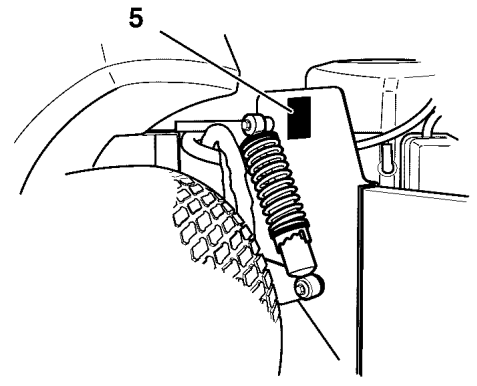
PINCH POINT

To avoid injury from loaded spring, read operator's manual before removing spring.

The operator's manual is available in Spanish. La manual del operador está disponible en Español.

| ECU | PTO | Clutch | Charge | Main |
|-----|-----|--------|--------|------|
| 2A | | 15A | 40A | 30A |

(Models with Kawasaki Fuel Injected Engines only.)



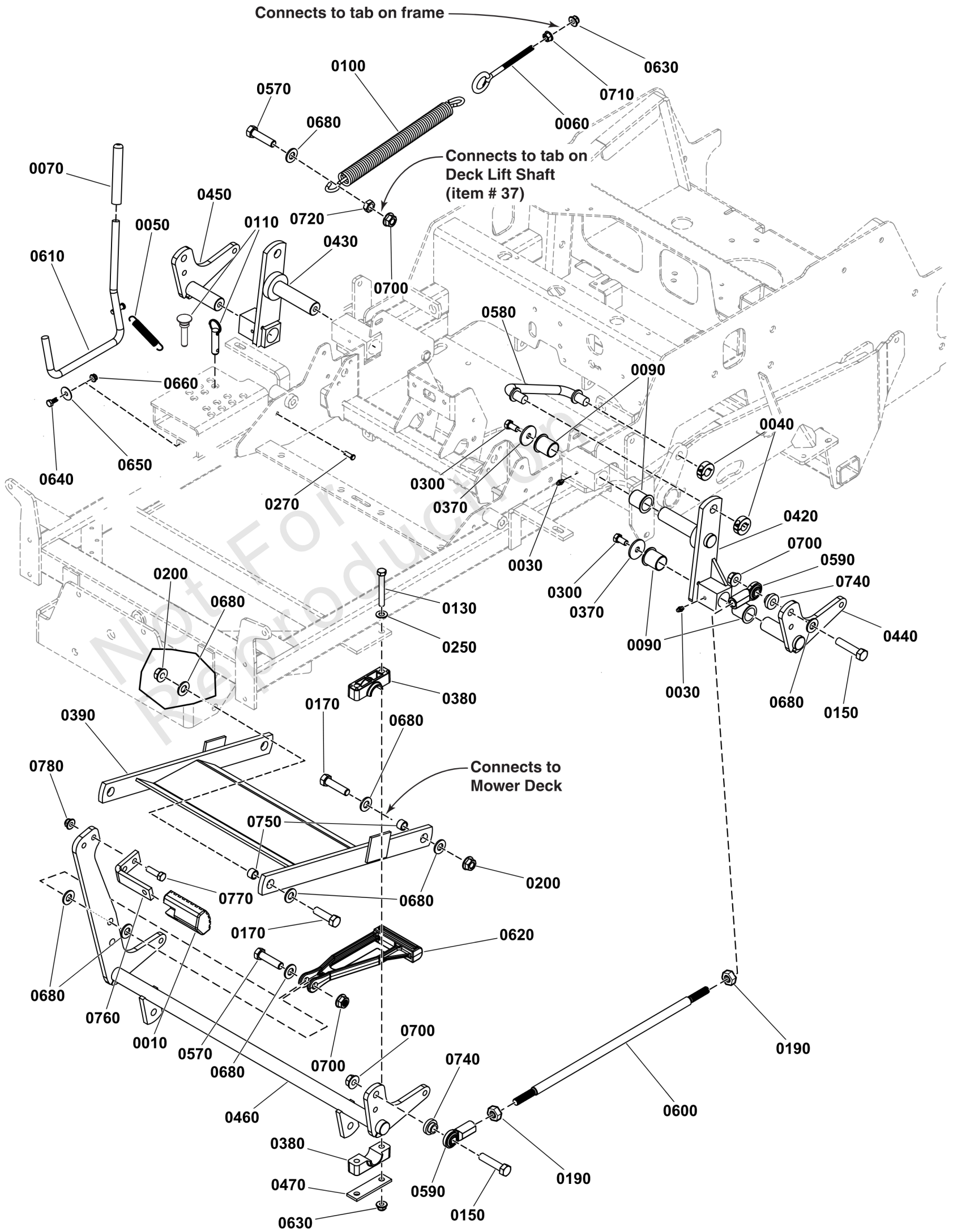
Decal Group - Safety & Operation USA Models

| REF NO | PART NO | QTY | DESCRIPTION |
|--------|----------|-----|---|
| 1 | 5103595 | 1 | DECAL, MAIN SAFETY -(S/N: 4001737855 & BELOW) |
| 1 | 84008252 | 1 | DECAL, MAIN SAFETY -(S/N: 4001737856 & ABOVE) |
| 2 | 5103184 | 1 | DECAL, WARNING, HAND IN BELT, ENG ONLY |
| 3 | 7101665 | 2 | DECAL, DANGER DO NOT OPERATE W/O DEFLECT |
| 4 | 5103725 | 1 | DECAL, TRANSAXLE RELEASE, 600/700 |
| 5 | 5100683 | 2 | DECAL, WARNING, ROLL BAR |
| 6 | 5048970 | 1 | DECAL, IGNITION SWITCH |
| 7 | 5100280 | 1 | DECAL, THROTTLE CONTROL |
| 8 | 5104082 | 1 | DECAL, WARNING, FOLDING ROLL BAR -(SV) |
| 9 | 5100405 | 1 | DECAL, WARNING OVERHANG, ROPS -(SV) |
| 10 | 5100957 | 1 | DECAL, HYDRAULIC OIL, SAE 20W50 |
| 11 | 5108114 | 1 | DECAL, CUTTING HEIGHT |
| 12 | 5103756 | 1 | DECAL, BELT & BLADE, IS700Z/ZTS700 |
| 13 | 5061245 | 2 | DECAL, PINCH POINT -(Qty: 1 for models with 52" mower deck) |
| 14 | 5103619 | 1 | DECAL, MANUAL AVAIL IN SPANISH |
| 15 | 5104083 | 1 | DECAL, CAUTION, FOLDING ROLL BAR -(SV) |
| 16 | 5104809 | 1 | DECAL, FUSE LOCATION, KAWI EFI -(Kawi EFI Models Only S/N: 2017612394 & Below) |

Deck Lift Group - S/N: 2017954956 & Above

Note: Unless noted otherwise, use the standard torque specifications

Mfg. No: 5902107



Deck Lift Group - S/N: 2017954956 & Above

| REF NO | PART NO | QTY | DESCRIPTION |
|--------|------------|-----|---|
| 0010 | 5104262 | 1 | PEDAL, Rubber |
| 0030 | 5020095 | 4 | GREASE FITTING, 1/4-28 Straight |
| 0040 | 5020441 | 4 | COLLAR, 5/8" Split |
| 0050 | 5010213 | 1 | SPRING-EXT, .740 ODX2.025LGX.072WR, BLK |
| 0060 | 5025429 | 1 | EYEBOLT, 3/8-16 X 4, 2.13THRD, .75EYE, C |
| 0070 | 5021880 | 1 | GRIP, FOAM, .475 X 4.35 X .095 |
| 0090 | 5023343 | 8 | BUSHING, 1.00 X 1.13 X 1.38, Plastic |
| 0100 | 5023355 | 1 | SPRING-EXT, 1.00 ODX13.25LGX.177WR, BLK |
| 0110 | 5023498SM | 1 | PIN, HITCH, 1/2 X 2.0 -(Pin Style: Regular Deck Lift Pin) |
| 0110 | 84008180 | 1 | PIN, Magnetic Deck Lift -(Pin Style: Magnetic Deck Lift Pin) |
| 0130 | 5025013X22 | 4 | BOLT, 3/8-16 X 2-3/4" GD5 CZ |
| 0150 | 703856 | 4 | CAPSCREW, Hex Head, 1/2-13 X 2 1/4, GR5 |
| 0170 | 5025018X14 | 4 | BOLT, 1/2-20 X 1-3/4" GD8 CZ |
| 0190 | 5025089 | 4 | NUT, 1/2-20 Hex Jam |
| 0200 | 5025098 | 4 | NUT, Hex, Nylon Lock, 1/2-20 |
| 0250 | 5025156 | 6 | WASHER, 3/8 SAE |
| 0270 | 5025212X4 | 1 | PIN, CLEVIS, 1/4 X 1/2, PLATED |
| 0300 | 5025443 | 4 | BOLT, 3/8-16 X 3/4, PLT W/PATCH |
| 0370 | 5100548 | 4 | WASHER, .390 X 1.50 X .109, YZ |
| 0380 | 5100634 | 4 | PIVOT BLOCK, PLASTIC |
| 0390 | 5410213A | 1 | WELD, PULLER BAR, IS700Z - BLK |
| 0420 | 5105172 | 1 | ASSM, DECK COMP LINK, LH-CAST |
| 0430 | 5105173 | 1 | ASSM, DECK COMP LINK, RH-CAST |
| 0440 | 5401671A | 1 | WELD, DECK LIFT LEVER, LH - BLK |
| 0450 | 5401672A | 1 | WELD, DECK LIFT LEVER, RH - BLK |
| 0460 | 5412701A | 1 | WELD, DECK LIFT SHAFT - BLK |
| 0470 | 5403925A | 2 | PLATE, PIVOT BLOCK SUPPORT - BLK |
| 0570 | 5025017X16 | 2 | BOLT, 1/2-13 X 2" GD5 CZ |
| 0580 | 5103703 | 2 | ROD, SUSPENSION LINK, IS700, CZ |
| 0590 | 1702779 | 4 | JOINT-BALL .500-20 THD .500ID, CLR ZINC |
| 0600 | 5103758 | 2 | ROD, DECK LIFT, 19.25, CZ |
| 0610 | 84010944 | 1 | KIT, Latch w/Grip |
| 0620 | 5104133 | 1 | LINK, DECK LIFT, CAST IRON |
| 0630 | 5025394 | 6 | NUT, 3/8 - 16 HEX NYLOCK FLANGE |
| 0640 | ----- | 2 | HHCS, 1/4-20 X 0.625, GR5, ZINC/CLEAR |
| 0650 | 5025288 | 2 | WASHER, 1/4" Fender |
| 0660 | 5025391 | 2 | NUT, 1/4-20 Hex Nylock Flange |
| 0680 | 5025158 | 14 | WASHER, 1/2 SAE |
| 0700 | 5025396 | 6 | NUT, Hex Flange, Nylock, 1/2-13 |
| 0710 | 5025128 | 1 | NUT, 3/8-16 Hex Large Serrated Flange |
| 0720 | 5025301 | 1 | NUT, Hex, Jam, 1/2-13 |
| 0740 | 5045023 | 4 | SPACER, .52 X 1.00 X .44, CZ |
| 0750 | 5020870 | 4 | INSERT, Bearing |
| 0760 | 5061569A | 1 | PEDAL, FOOT - BLK |
| 0770 | 5025013X10 | 2 | BOLT, 3/8-16 X 1-1/4" GD5 CZ |
| 0780 | 5025394 | 1 | NUT, 3/8 - 16 HEX NYLOCK FLANGE |

Electrical Group - Briggs & Stratton S/N: 2017612395 & Above

| REF NO | PART NO | QTY | DESCRIPTION |
|--------|------------|-----|--|
| 1 | 5416016 | 1 | WIRE HARNESS, MAIN, SM, ZTR -(S/N: 2017954955 & Below) |
| 1 | 5105536 | 1 | HARNESS, Wiring, Small ZTR -(S/N: 2017954956 & Above) |
| 2 | 5025299X6 | 2 | USE 5106757 - SCREW,1/4-20X3/4, ZINC |
| 3 | ----- | 1 | BATTERY, 11U1L, 350 CCA |
| 4 | 5047690 | 1 | BATTERY CABLE, NEG, 14, 5/16-13/32 |
| 5 | 5021405 | 1 | BATTERY CABLE, POS, 22, 1/4-5/16 |
| 6 | 1722009 | 1 | STRAP, BATTERY, 14 LONG, Rubber |
| 7 | 1755382 | 1 | SOLENOID, STD-BRACKET, 2-SPADE |
| 8 | 80003921 | 2 | NUT,1/4-20,KEPS,CONICAL WSHR,ZC/CL |
| 9 | 5025033 | 2 | NUT, Hex, 5/16-24 |
| 10 | 5025010X6 | 4 | BOLT, 1/4"-20 X 3/4" GD5 YZ |
| 11 | 5025154 | 4 | WASHER, 1/4 SAE |
| 12 | 5025391 | 5 | NUT, 1/4-20 Hex Nylock Flange |
| 13 | 5023488 | 1 | BATTERY CABLE, POS, 22, 1/4-5/16 |
| 14 | 7022886 | 1 | SWITCH, DP NO/NC SNAP-IN |
| 15 | 5021500 | 3 | CLAMP, VINYL INSULATED, 1.00 |
| 16 | 5021029 | 9 | TIE, SELF-LOCKING, 12" -(Secures wire harness to wire carrier rod). |
| 17 | 5102677 | 1 | GROMMET, 1-1/2" ID FOR 1/4" METAL -(S/N: 2018023894 & Below) |
| 18 | 5050927X18 | 2 | WIRE LOOM, 3/8 ID X 18 IN |
| 19 | 5103761 | 1 | FIR TREE MOUNT, PACKARD |
| 20 | 5100540 | 1 | SWITCH, NC, W/ BOLT-IN BASE -(SV) |
| 21 | 5100541 | 1 | SWITCH, NC, W/ TWIST-IN BASE -(SV) |
| 22 | 5101935 | 1 | FUSE, ATO-15 (15 AMP)(SV) -(SV) |
| 23 | 5021603 | 1 | FUSE, ATO-20 (20 AMP)(SV) -(SV) |

Electrical Schematic - Charging Circuit B&S 44T977, 49T877 S/N: 2017954956 & Above

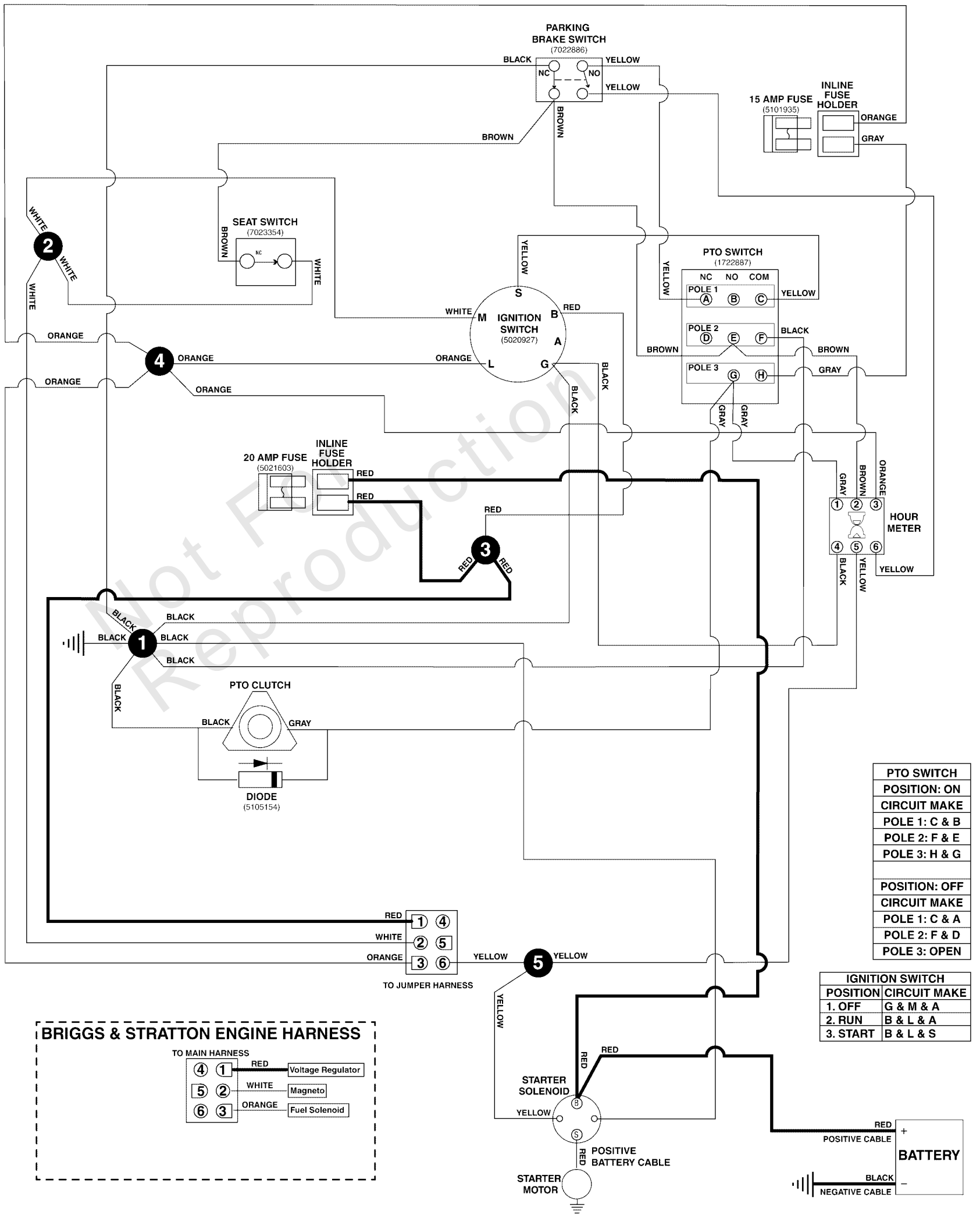
Note: Unless noted otherwise, use the standard torque specifications

Mfg. No: 5902107

5105536 MAIN WIRE HARNESS - BRIGGS & STRATTON 44T977, 49T877 ENGINES

5105536A

(If internal schematic of the switch is not shown, the image of the switch represents the back view of the connector as it is connected to the switch.)



Electrical Schematic - Charging Circuit B&S 44T977, 49T877 S/N: 2017954956 & Above

| REF NO | PART NO | QTY | DESCRIPTION |
|---------|---------|-----|----------------------------|
| 5105536 | 5105536 | 1 | HARNESS, Wiring, Small ZTR |

Not For Reproduction

Electrical Schematic - Cranking Circuit B&S 44T977, 49T877 S/N: 2017954956 & Above

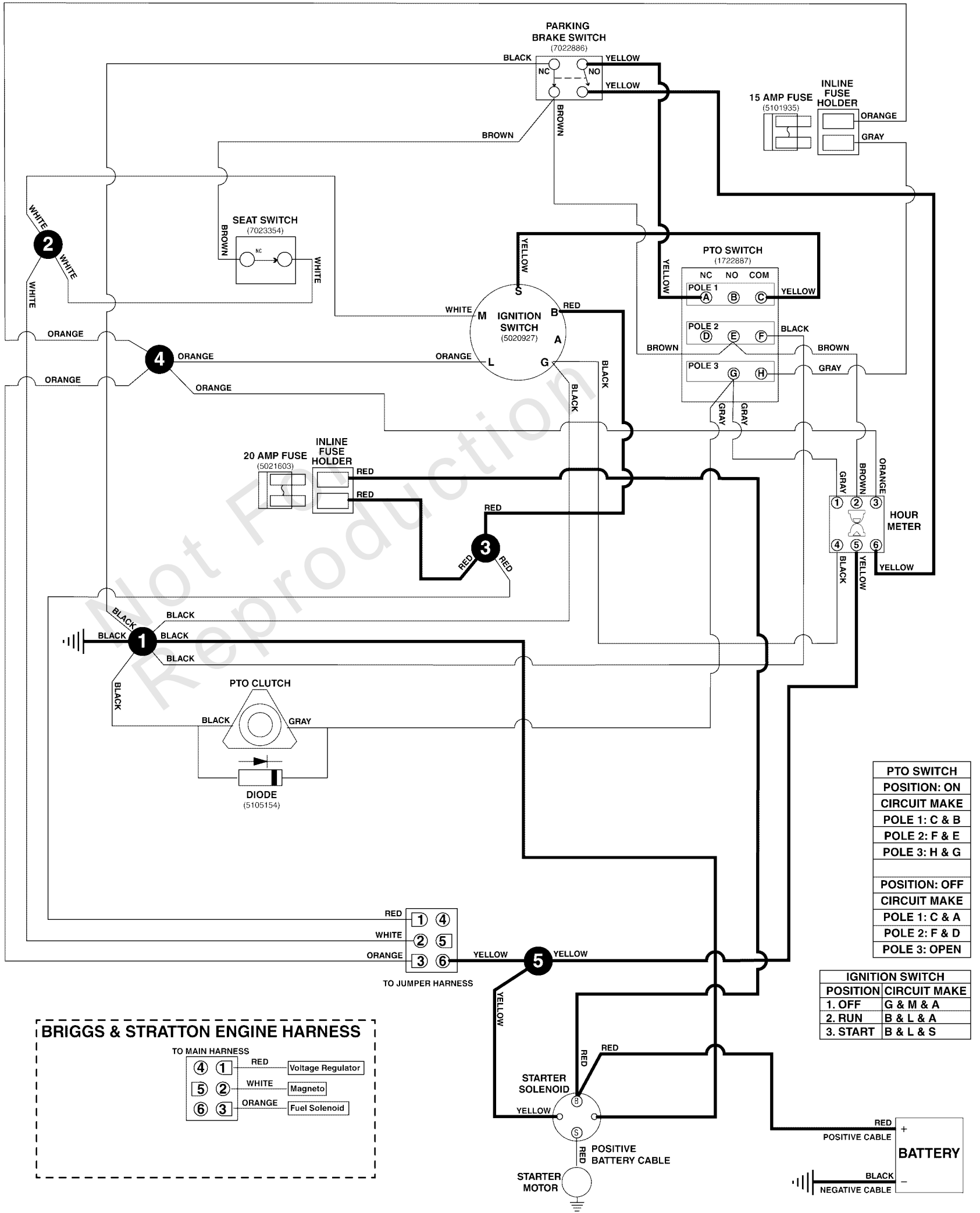
Note: Unless noted otherwise, use the standard torque specifications

Mfg. No: 5902107

5105536 MAIN WIRE HARNESS - BRIGGS & STRATTON 44T977, 49T877 ENGINES

5105536A

(If internal schematic of the switch is not shown, the image of the switch represents the back view of the connector as it is connected to the switch.)



Electrical Schematic - Cranking Circuit B&S 44T977, 49T877 S/N: 2017954956 & Above

| REF NO | PART NO | QTY | DESCRIPTION |
|---------|---------|-----|----------------------------|
| 5105536 | 5105536 | 1 | HARNESS, Wiring, Small ZTR |

Not For Reproduction

Electrical Schematic - Ign. Grounding Circuit/Op. Pres. B&S 44T977, 49T877 S/N:

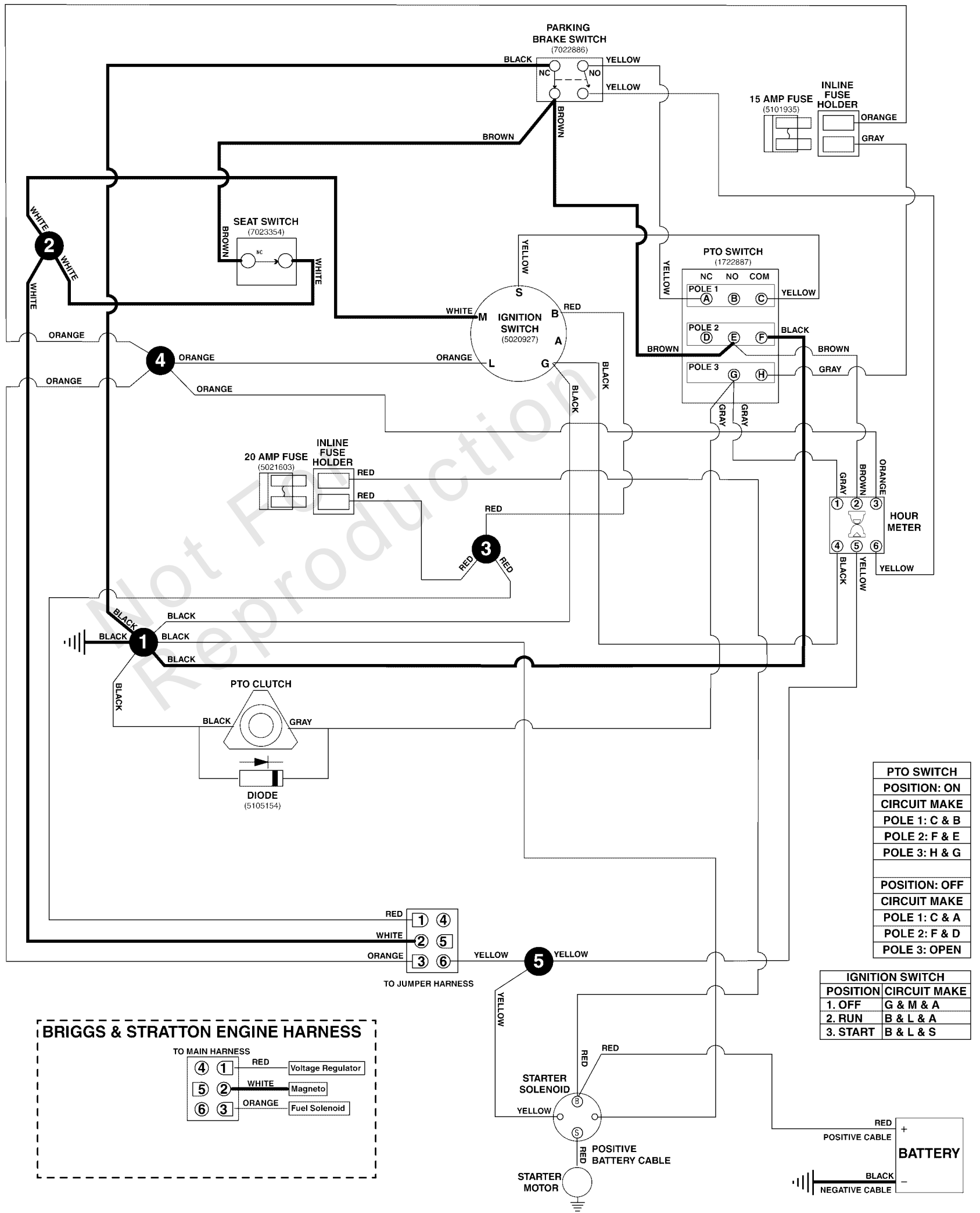
Note: Unless noted otherwise, use the standard torque specifications

Mfg. No: 5902107

5105536 MAIN WIRE HARNESS - BRIGGS & STRATTON 44T977, 49T877 ENGINES

5105536A

(If internal schematic of the switch is not shown, the image of the switch represents the back view of the connector as it is connected to the switch.)



Electrical Schematic - Ign. Grounding Circuit/Op. Pres. B&S 44T977, 49T877 S/N:

| REF NO | PART NO | QTY | DESCRIPTION |
|---------|---------|-----|----------------------------|
| 5105536 | 5105536 | 1 | HARNESS, Wiring, Small ZTR |

Not For Reproduction

Electrical Schematic - PTO Clutch Circuit B&S 44T977, 49T877 S/N: 2017954956 &

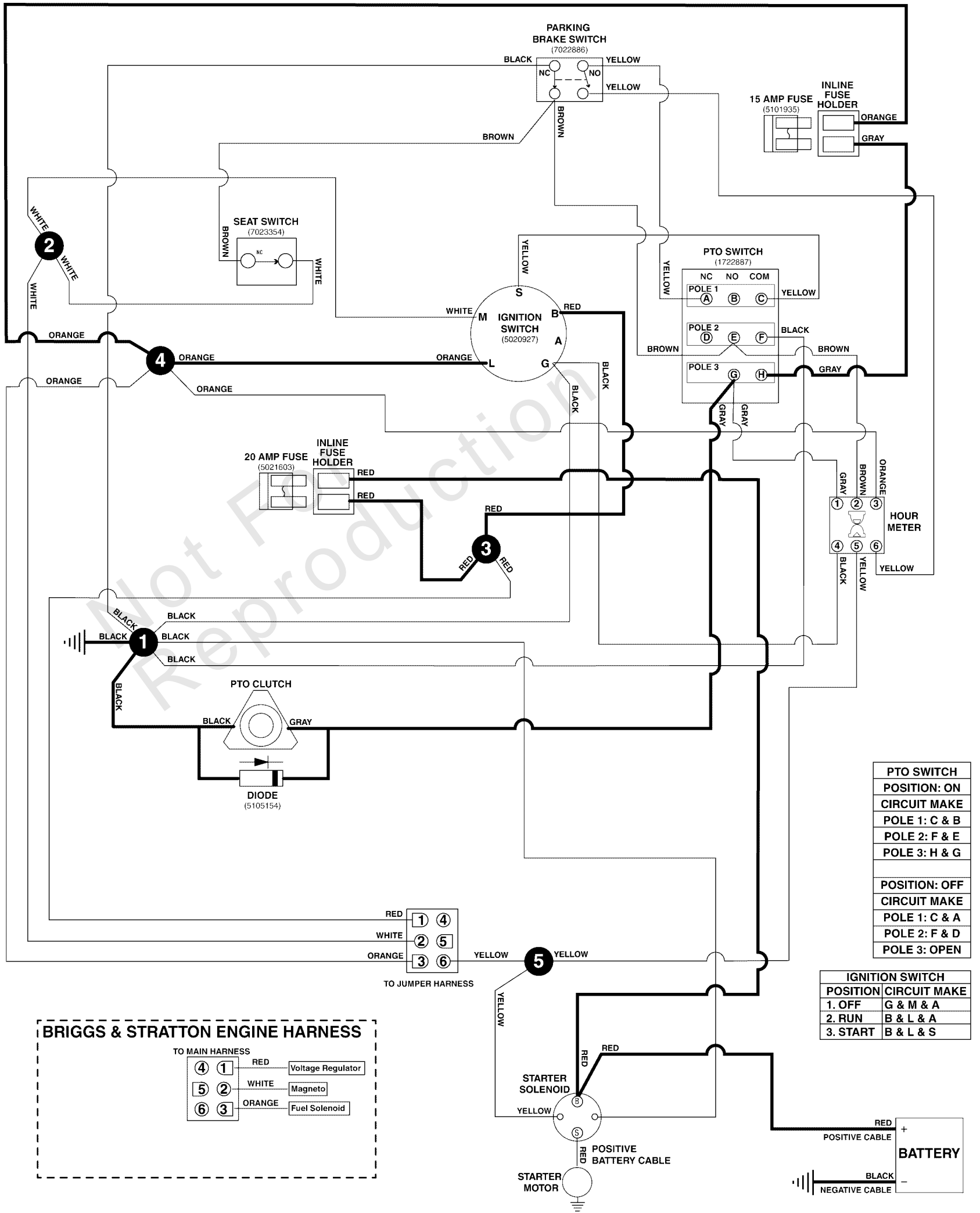
Note: Unless noted otherwise, use the standard torque specifications

Mfg. No: 5902107

5105536 MAIN WIRE HARNESS - BRIGGS & STRATTON 44T977, 49T877 ENGINES

5105536A

(If internal schematic of the switch is not shown, the image of the switch represents the back view of the connector as it is connected to the switch.)



Electrical Schematic - PTO Clutch Circuit B&S 44T977, 49T877 S/N: 2017954956 &

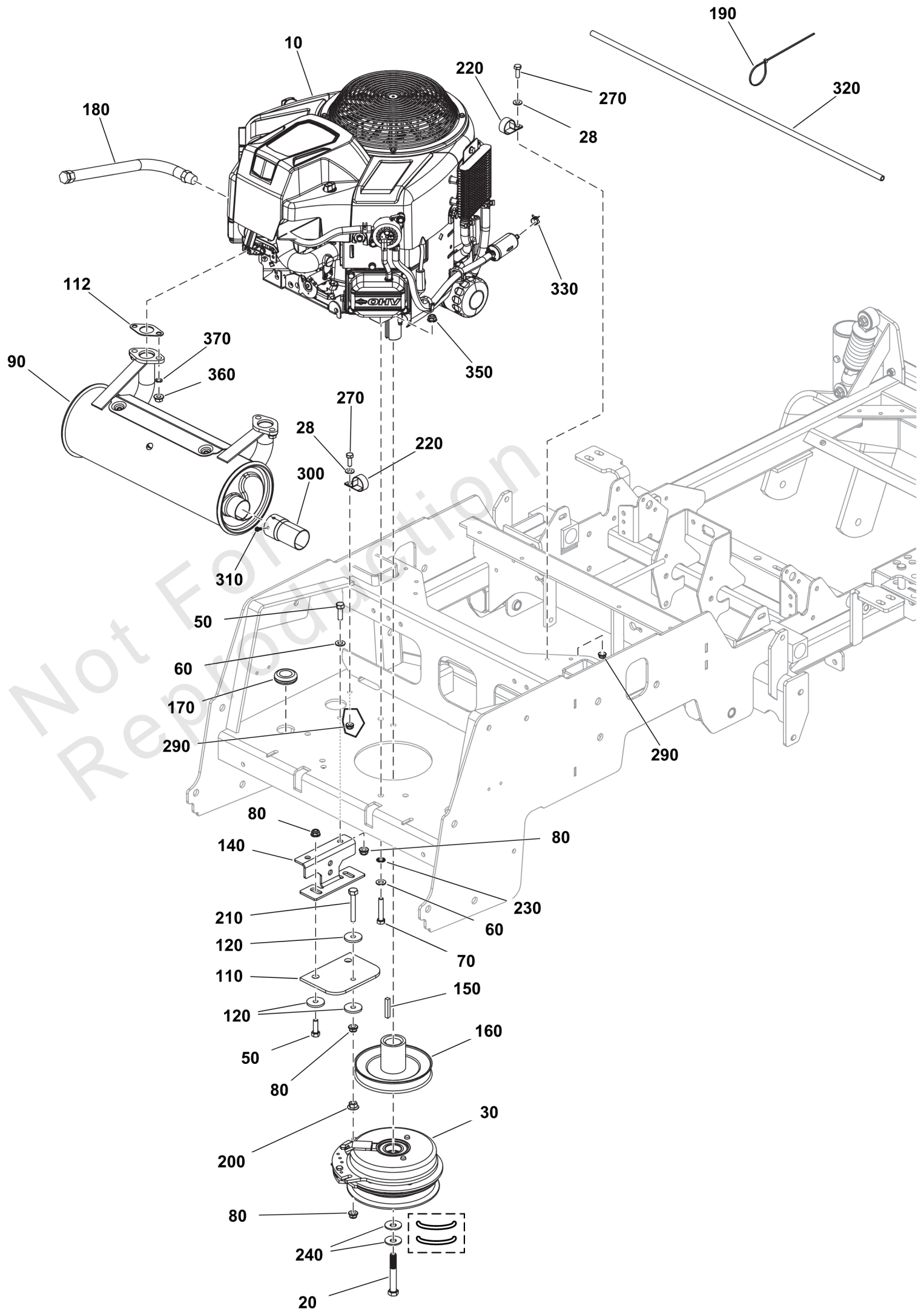
| REF NO | PART NO | QTY | DESCRIPTION |
|---------|---------|-----|----------------------------|
| 5105536 | 5105536 | 1 | HARNESS, Wiring, Small ZTR |

Not For Reproduction

Engine and PTO Group - Briggs & Stratton CXi

Note: Unless noted otherwise, use the standard torque specifications

Mfg. No: 5902107



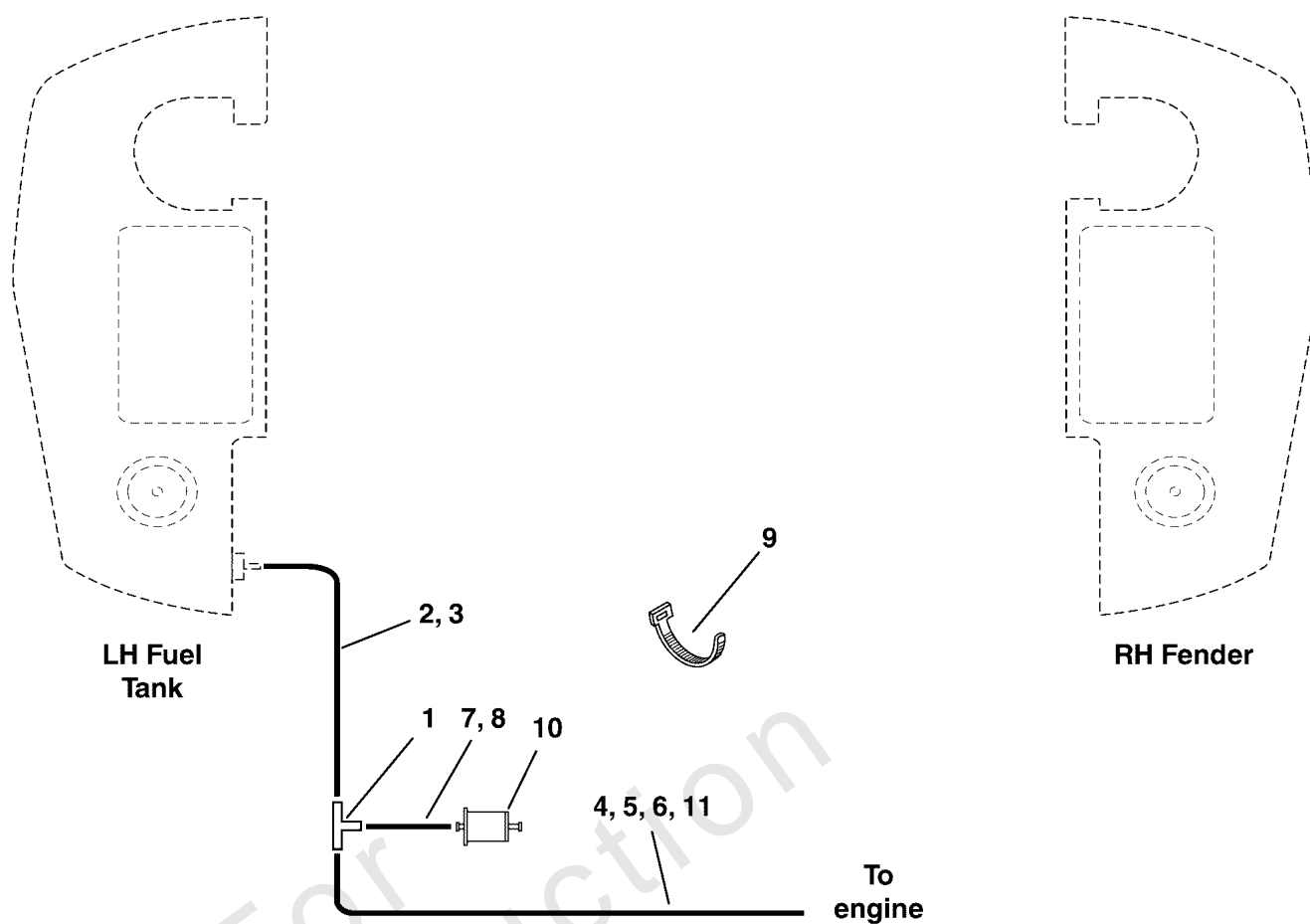
Engine and PTO Group - Briggs & Stratton CXi

| REF NO | PART NO | QTY | DESCRIPTION |
|--------|--------------|-----|---|
| 10 | ----- | 1 | ENGINE, Briggs & Stratton CXi, 49T877-0046-G1 |
| 20 | 5102866YP | 1 | BOLT, CRANKSHAFT, 7/1 |
| 28 | 84007033 | 3 | WASHER |
| 30 | 5105090YP | 1 | CLUTCH |
| 50 | 5025011X8FS | 4 | BOLT |
| 60 | 703350 | 6 | WASHER |
| 70 | 5025025X14YP | 4 | BOLT |
| 80 | 5025392FS | 6 | NUT |
| 90 | 706900 | 1 | MUFFLER, RIGHT OUTLET |
| 110 | 5043636SM | 1 | CLUTCH ANCHOR PAD |
| 112 | 690970 | 2 | GASKET, Exhaust |
| 120 | 5044617SM | 4 | WASHER, .34 X 1.25 X |
| 140 | 5410367AYP | 1 | ANCHOR, CLUTCH |
| 150 | 5022726YP | 1 | KEY 1/4 SQ X 1 1/2 |
| 160 | 5105108YP | 1 | PULLEY-CRANKSHAFT |
| 170 | 5021379SM | 1 | GROMMET, 7/8 |
| 180 | 5048681SM | 1 | HOSE, OIL DRAIN |
| 190 | 5101492YP | 1 | TIE, SELF-LOCKING, 24" |
| 200 | 5025139SM | 1 | NUT, 5/16-18 HEX SERR |
| 210 | 5025055X18YP | 1 | BOLT, 5/16-18 X 2-1/4 |
| 220 | 5021500FS | 3 | CLAMP |
| 230 | 5025188SM | 4 | WASHER, 5/16" INT. TO |
| 240 | 5025585YP | 2 | BELLEVILLE WASHER |
| 270 | 5025010X6SM | 3 | BOLT, 1/4-20 X 3/4" G |
| 290 | 5025391FS | 3 | NUT |
| 300 | 5104348YP | 1 | EXTENSION, TAILPIPE |
| 310 | 5025470YP | 2 | SCREW, SELF-TAP, #8-32 |
| 320 | 5050831X29SM | 1 | HOSE, 1/4" FUEL, 29.00" |
| 340 | 5101073SM | 1 | CABLE, THROTTLE, 42 |
| 330 | 691038 | 2 | CLAMP, Hose |
| 350 | 5025616YP | 4 | NUT |
| 360 | 690941 | 4 | NUT |
| 370 | 5023217SM | 4 | WASHER, 5/16 LIGHT LO |

EVAP Group - S/N : 2016816350 & Above

Note: Unless noted otherwise, use the standard torque specifications

Mfg. No: 5902107



5303807,
5303808,
5303811

Not For
Reproduction

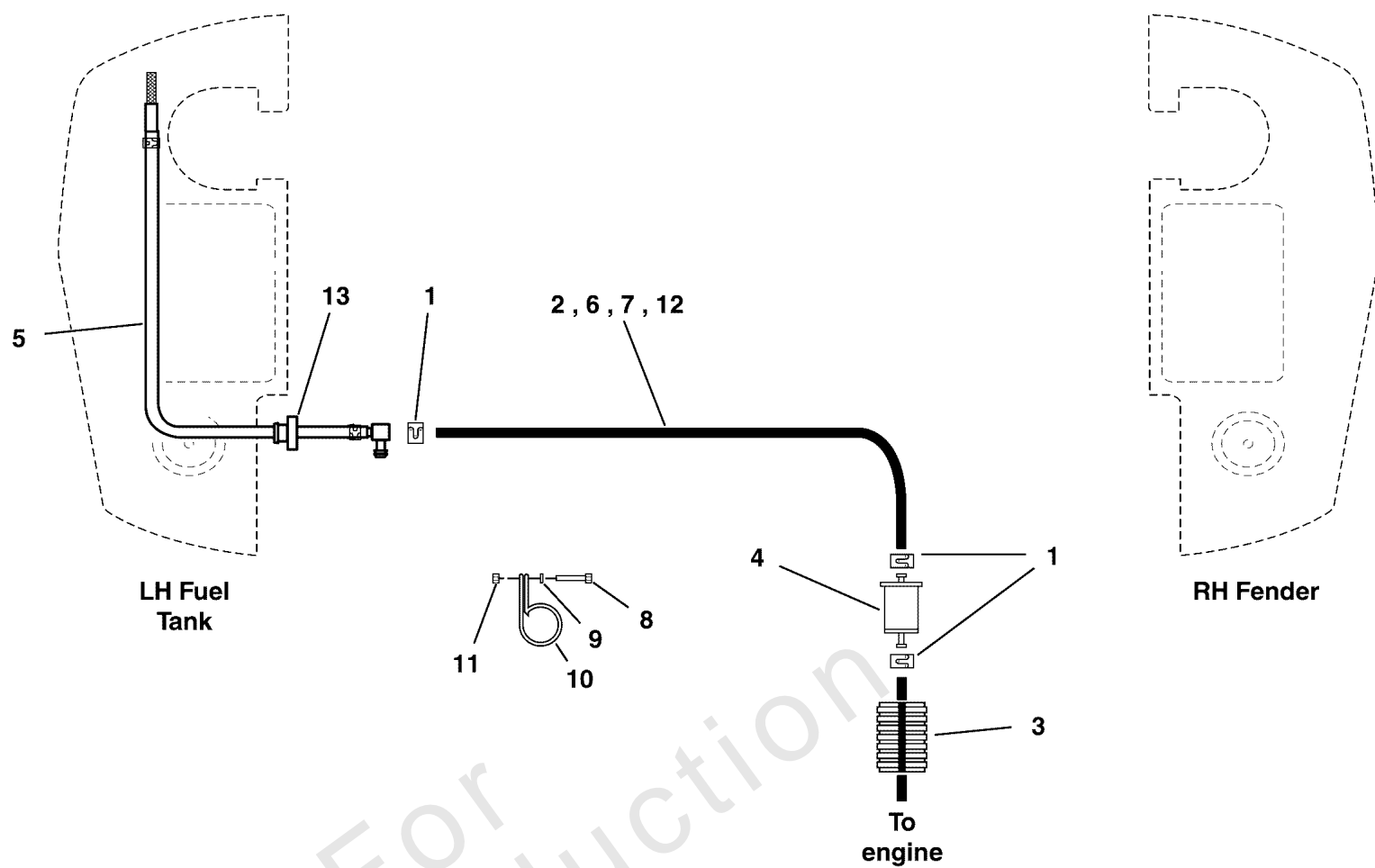
EVAP Group - S/N : 2016816350 & Above

| REF NO | PART NO | QTY | DESCRIPTION |
|--------|--------------|-----|--|
| 1 | 5103062 | 1 | FITTING, 3/16" TEE, BARB TYPE, HDPE |
| 2 | 7700552X29 | 1 | HOSE, VAPOR, 5MM ID, 29.00 LG -(Models equipped with B&S Commercial Turf Engines Only) |
| 3 | 7700552X18 | 1 | HOSE, VAPOR, 5MM ID, 18.00 LG -(Models equipped with Kawasaki Engines Only) |
| 4 | 7700552X12 | 1 | HOSE, VAPOR, 5MM ID, 12.00 LG -(Models equipped with B&S Commercial Turf Engines Only) |
| 5 | 7700552X16 | 3 | HOSE, VAPOR, 5MM ID, 16.00 LG -(Models equipped with Vanguard Engines Only) |
| 6 | 7700552X20P5 | 1 | HOSE, VAPOR, 5MM ID, 20.50 LG -(Models equipped with Kawasaki Carbureted Engines Only) |
| 7 | 7700552X2 | 1 | HOSE, VAPOR, 5MM ID, 2.00 LG -(Models equipped with B&S Commercial Turf Engines Only) |
| 8 | 7700552X16 | 1 | HOSE, VAPOR, 5MM ID, 16.00 LG -(Models equipped with Kawasaki Engines Only) |
| 9 | 5021030 | 3 | TIE, SELF-LOCKING, 6" -(Qty: 4 on models equipped with Kawasaki Engines) |
| 10 | 80025019 | 1 | FILTER, FUEL |
| 11 | 7700552X21 | 1 | HOSE, VAPOR, 5MM ID, 21.00 LG -(Models equipped with Kawasaki Fuel Injected Engines Only) |

Fuel Supply Hose & Tank Replacement Parts

Note: Unless noted otherwise, use the standard torque specifications

Mfg. No: 5902107



Not For
Reproduction

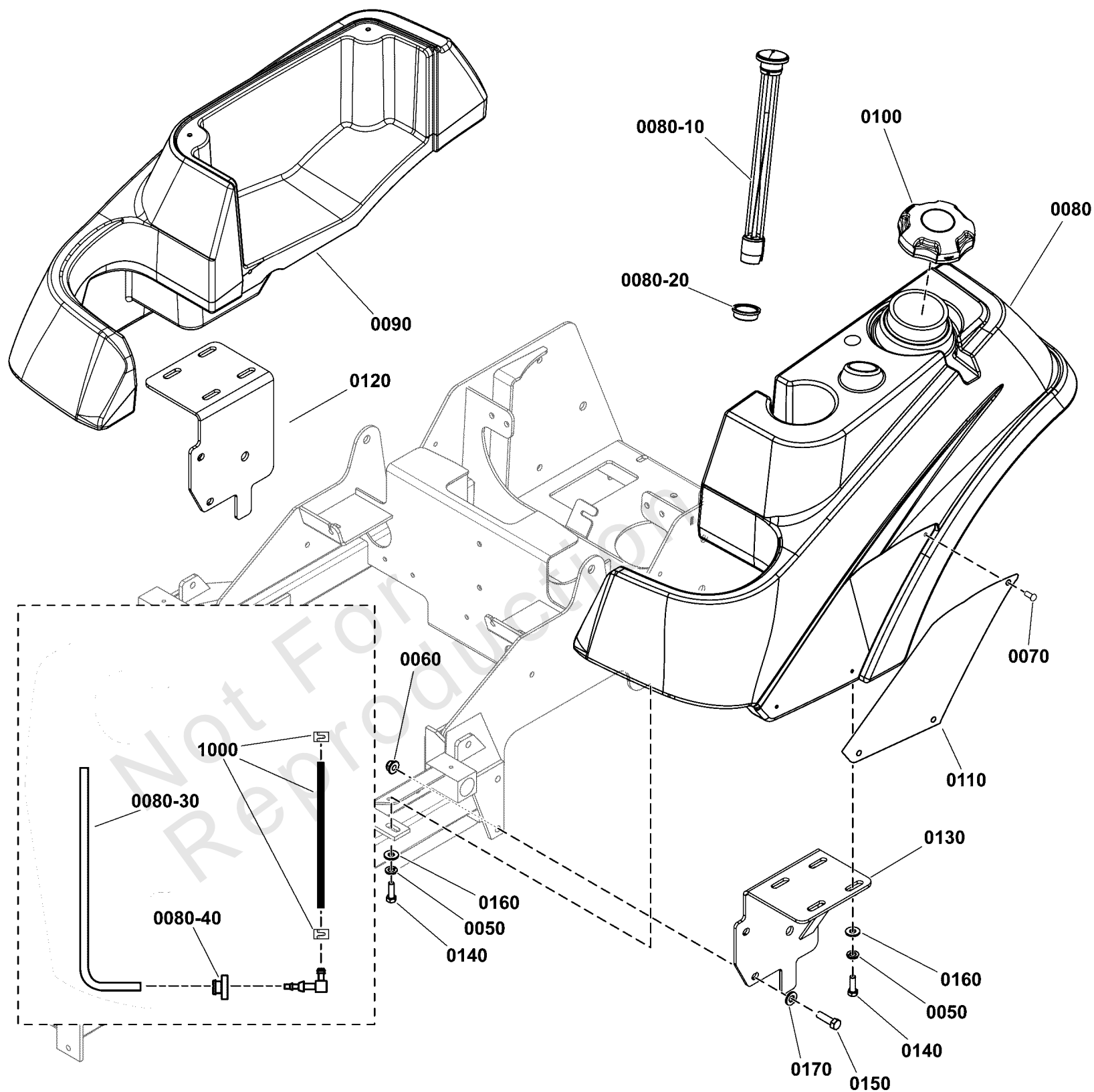
Fuel Supply Hose & Tank Replacement Parts

| REF NO | PART NO | QTY | DESCRIPTION |
|--------|--------------|-----|---|
| 1 | 93807 | 2 | CLAMP, Hose |
| 2 | 5050831X29 | 1 | 1/4" Fuel Line, 29" Long -(Briggs & Stratton Commercial Turf Engines Only) |
| 3 | 5050833X13 | 1 | WIRE LOOM, 1/2 ID, 13.00 LONG -(Briggs & Stratton Commercial Turf Engines Only) |
| 4 | 5021178X3 | 1 | FUEL FILTER (SV) -(SV) |
| 5 | 5101149 | 1 | PICKUP TUBE ASM, FUEL TANK, 22" -(SV) |
| 6 | 5050831X9 | 1 | HOSE, 1/4" FUEL, 9.00" -(Kawasaki Carbureted Engines Only) |
| 7 | 5050831X22P5 | 1 | HOSE, 1/4" FUEL, 22.50" -(Briggs & Stratton Vanguard Engines Only) |
| 8 | 5025010X6 | 2 | BOLT, 1/4"-20 X 3/4" GD5 YZ -(Briggs & Stratton Commercial Turf & Kawasaki EFI Engines Only) |
| 9 | 5025154 | 2 | WASHER, 1/4 SAE -(Briggs & Stratton Commercial Turf & Kawasaki EFI Engines Only) |
| 10 | 5021500 | 2 | CLAMP, VINYL INSULATED, 1.00 -(Briggs & Stratton Commercial Turf & Kawasaki EFI Engines Only) |
| 11 | 5025391 | 2 | NUT, 1/4-20 Hex Nylock Flange -(Briggs & Stratton Commercial Turf & Kawasaki EFI Engines Only) |
| 12 | 5050831X34 | 1 | HOSE, 1/4" FUEL, 34.00" -(Kawasaki EFI Engines Only) |
| 13 | 1726400 | 1 | BUSHING-FUEL TANK RED RUBBER |

Fuel Tank & Mount Group

Note: Unless noted otherwise, use the standard torque specifications

Mfg. No: 5902107



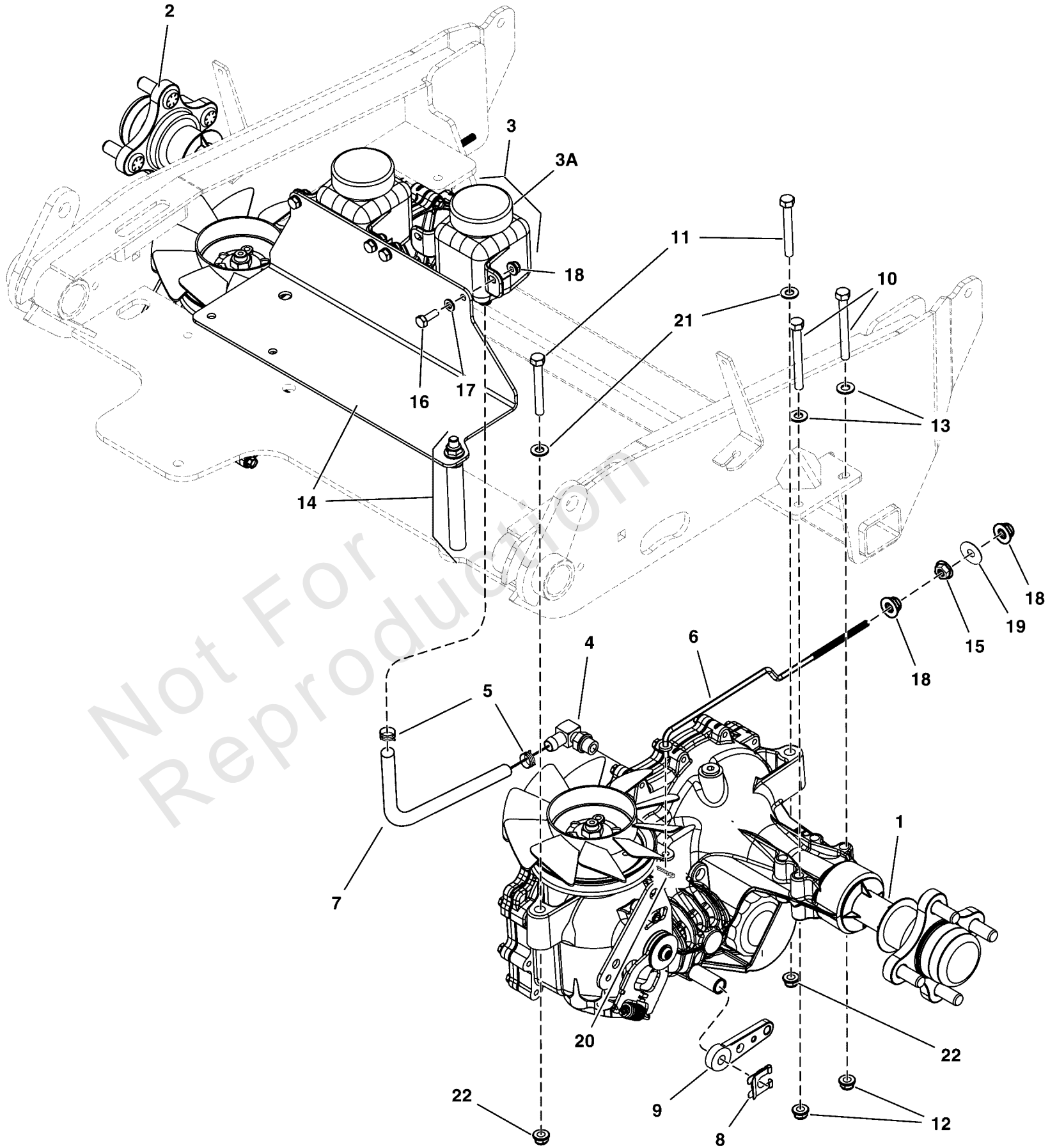
Fuel Tank & Mount Group

| REF NO | PART NO | QTY | DESCRIPTION |
|---------|------------|-----|--|
| 0050 | 5025170 | 10 | WASHER, 5/16 LOCK CZ |
| 0060 | 5025394 | 4 | NUT, 3/8 - 16 HEX NYLOCK FLANGE |
| 0070 | 5025386 | 6 | SCREW, Allen Head, #10-24 x 3/8" |
| 0080 | 5103176 | 1 | TANK, FUEL - LH, IS500 & IS1500 |
| 0080-10 | 5022917 | 1 | GAUGE, FUEL, 12 |
| 0080-20 | 5022917X1 | 1 | GROMMET, FUEL GAUGE (SV) |
| 0080-30 | 5101149 | 1 | PICKUP TUBE ASM, FUEL TANK, 22" -(SV) |
| 0080-40 | 1726400 | 1 | BUSHING-FUEL TANK RED RUBBER -(SV) |
| 0080-50 | 799624 | 1 | GROMMET -(Not illustrated. This grommet is used to seat the remote vent assembly into the fuel tank.) |
| 0080-60 | 770046 | 1 | REMOTE VENT ASSEMBLY -(Not illustrated. This remote vent assembly connects to the evap lines.) |
| 0090 | 5049948 | 1 | TANK, FENDER, CITATION/ZT4000 - RH |
| 0100 | 5103005 | 1 | FUEL CAP, 3-1/2", MANAGED VENT OUT, 12" |
| 0110 | 5400250B | 2 | PLATE, BADGE - IS1500 - RED |
| 0120 | 5409854A | 1 | WELD, TANK MOUNT, RH - BLK |
| 0130 | 5409856A | 1 | WELD, TANK MOUNT, LH - BLK |
| 0140 | 5025011X6 | 10 | BOLT, 5/16-18 X 3/4 GD5 |
| 0150 | 5025013X10 | 4 | BOLT, 3/8-16 X 1-1/4" GD5 CZ |
| 0160 | 5025292 | 10 | WASHER, 5/16 GRADE 9, FLAT |
| 0170 | 5025293 | 4 | WASHER, 3/8" GR. 9 FLAT |
| 1000 | ----- | 1 | Refer to: Engine & PTO Group |

Hydraulic Group

Note: Unless noted otherwise, use the standard torque specifications

Mfg. No: 5902107



Hydraulic Group

| REF NO | PART NO | QTY | DESCRIPTION |
|--------|-------------|-----|--|
| 1 | 5106642 | 1 | TRANSAXLE, ZT3200, LH, ZJ-KYEF-8T7C-1GRX -(S/N: 4001547047 and below) |
| 1 | 5109254 | 1 | TRANSAXLE, ZT-3200, LH,ZJ-KYEF-9T7C-1GRX -(S/N: 4001547048 and above) |
| 2 | 5106643 | 1 | TRANSAXLE, ZT3200, RH, ZJ-GYEF-8T7B-1GRX -(S/N: 4001547047 and below) |
| 2 | 5109253 | 1 | TRANSAXLE, ZT-3200, RH,ZJ-GYEF-9T7B-1GRX -(S/N: 4001547048 and above) |
| 3 | 5100473 | 2 | HYDRO RES. #71328, 350 ml |
| 3A | 5100778X1 | 2 | RESERVIOR CAP -(SV) |
| 4 | 5100370 | 2 | FITTING, 9/16 O-RING-1/2" HOSE, 90 DEG |
| 5 | 5025474 | 4 | CLAMP, HOSE, .75 FREE DIA. |
| 6 | 5103631 | 2 | ROD, DUMP VALVE, IS600 |
| 7 | 5050857X9P5 | 2 | HOSE, 1/2 PUSH-LOCK, 9.50 |
| 8 | 5104055 | 2 | E-CLIP, BRAKE ARM, ZT3100 & ZT3400 |
| 9 | 5103750 | 2 | BRAKE ARM, ZT3400 |
| 10 | 5025011X24 | 4 | BOLT, 5/16-18 X 3 GD5 YZ |
| 11 | 5025013X20 | 4 | BOLT, 3/8-16 X 2-1/2" GD5 CZ |
| 12 | 5025392 | 4 | NUT, 5/16-18 HEX NYLOCK FLANGE |
| 13 | 5025292 | 4 | WASHER, 5/16 F436 FLAT |
| 14 | ----- | 0 | See Pump Drive Group |
| 15 | 5025126 | 2 | NUT, 1/4-20 HEX SERR. FLANGE |
| 16 | 5025010X6 | 4 | BOLT, 1/4-20 X 3/4 GD5 YZ |
| 17 | 5025154 | 4 | WASHER, 1/4 SAE |
| 18 | 5025391 | 8 | NUT, 1/4-20 HEX NYLOCK FLANGE |
| 19 | 5025288 | 2 | WASHER, 1/4 FENDER |
| 20 | 5025211 | 2 | PIN, HAIR, .0585 X 1-1/8, 1/4 EYE, YZ |
| 21 | 5025156 | 4 | WASHER, 3/8 SAE |
| 22 | 5025394 | 4 | NUT, 3/8 - 16 HEX NYLOCK FLANGE |

Instrument Control Panel

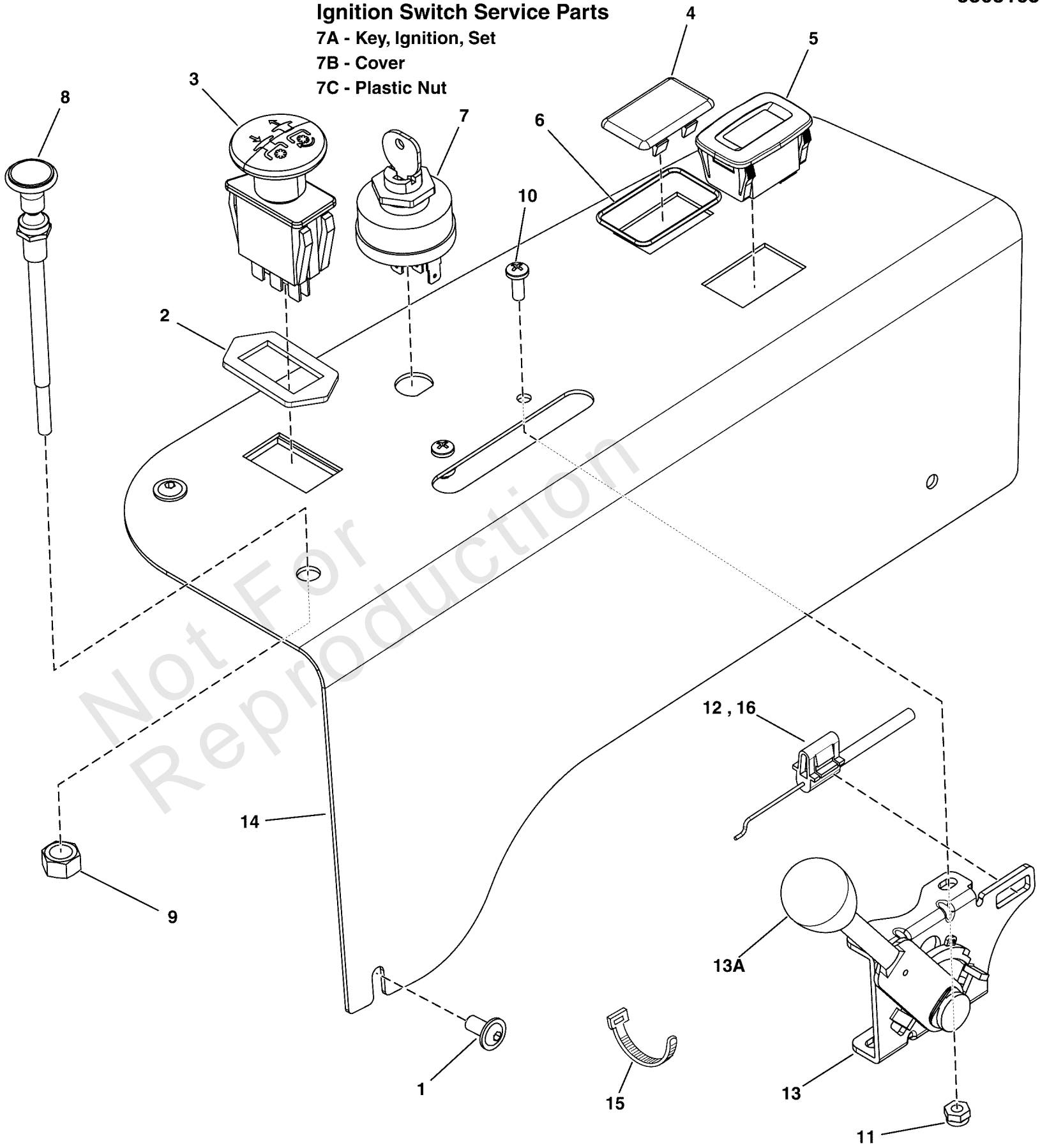
Note: Unless noted otherwise, use the standard torque specifications

Mfg. No: 5902107

5303165

Ignition Switch Service Parts

- 7A - Key, Ignition, Set
- 7B - Cover
- 7C - Plastic Nut



Instrument Control Panel

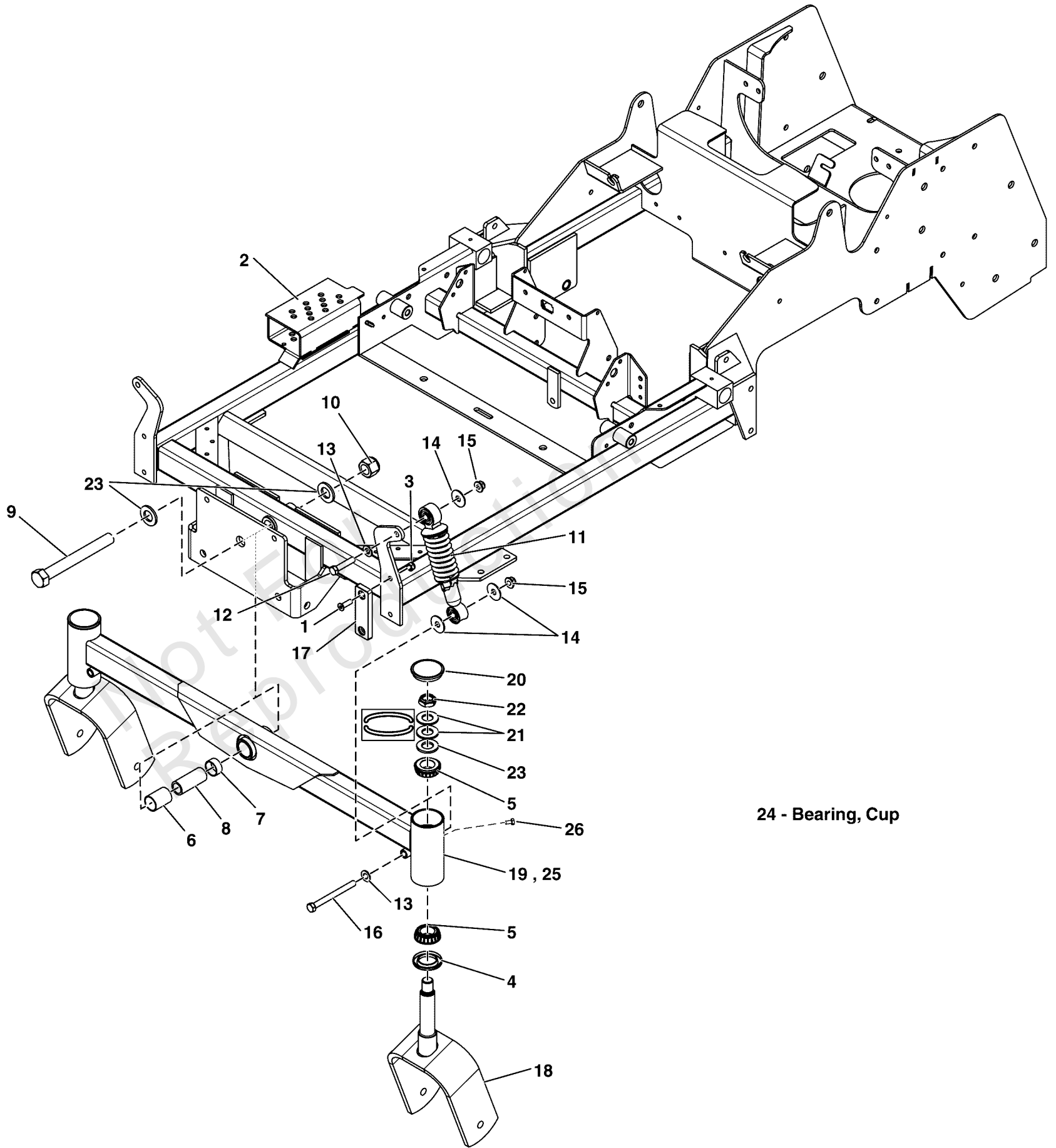
| REF NO | PART NO | QTY | DESCRIPTION |
|--------|-----------|-----|---|
| 1 | 5025299X4 | 3 | SCREW, 1/4-20 X 1/2 ALLEN BH |
| 2 | 5022222 | 1 | RING, SWITCH RETAINER |
| 3 | 5022180 | 1 | SWITCH, BLADE ENGAGEMENT |
| 4 | 1709188 | 1 | PLUG, .820X1.44 HOLE, BLACK PLASTIC |
| 5 | 84008768 | 1 | HOURMETER -(Replaces hour meters equipped with two individual wires) |
| 5 | 84008510 | 1 | HOURMETER -(Replaces hour meters equipped with 6 pin connectors) |
| 6 | 5022269 | 1 | O-RING, 7/8 ID X 1/16 W |
| 7 | 5020927 | 1 | SWITCH, IGNITION, 6 POST |
| 7A | 5022789 | 1 | KEY, IGNITION MOLDED SET -(SV) |
| 7B | 5022790 | 1 | COVER, PLASTIC, SNAP ON -(SV) |
| 7C | 5022791 | 1 | PLASTIC NUT -(SV) |
| 8 | 5047779 | 1 | CABLE, CHOKE CONTROL, 51 (Z) |
| 9 | 5025309 | 1 | NUT, 3/8-24 HEX JAM |
| 10 | 5025179X6 | 2 | SCREW, #10-24 X 3/4 ROUND PHILLIPS |
| 11 | 5025271 | 2 | NUT, #10-24 HEX NYLON LOCK |
| 12 | 5101073 | 1 | CABLE, THROTTLE, 42" -(All other models) |
| 13 | 5101537 | 1 | LEVER, THROTTLE CONTROL, HEAVY-DUTY |
| 13A | 5046360X1 | 1 | THROTTLE CONTROL HANDLE/KNOB -(SV) |
| 14 | 5410303A | 1 | PLATE, CONTROL PANEL, IS600Z - BLK |
| 15 | 5021030 | 2 | TIE, SELF-LOCKING, 6" |
| 16 | 5101076 | 1 | CABLE, THROTTLE 47" -(Briggs & Stratton Model 541777 Vanguard Engine Models) |

Main Frame & Front Suspension Group

Note: Unless noted otherwise, use the standard torque specifications

Mfg. No: 5902107

5303162



24 - Bearing, Cup

Main Frame & Front Suspension Group

| REF NO | PART NO | QTY | DESCRIPTION |
|--------|------------|-----|---|
| 1 | 5025594 | 4 | SCREW, 5/16-18 X 1, PHILLIPS HD, BZ -(Was 5025303) |
| 2 | ----- | 1 | WELD, MAIN FRAME, IS700Z - RED -(Refer to Note: *) |
| 3 | 5025057 | 4 | NUT, Hex, Nylon Locking, 5/16-18 |
| 4 | 5021072 | 2 | SEAL, GREASE |
| 5 | 5020884 | 4 | BEARING, TAPERED ROLLER, 1" |
| 6 | 5022852 | 1 | PIVOT BEARING, 1.00" X 1.125" OD X 1.50" |
| 7 | 5100358 | 1 | PIVOT BEARING, 1.00" X 1.125" OD X .50" |
| 8 | 5047489 | 1 | SPACER, .75 x 1.00 x 2.38 |
| 9 | 5025265X52 | 1 | BOLT, 3/4-16 X 6-1/2" YZ GD5 |
| 10 | 5025284 | 1 | NUT, Hex, Nylon Lock, 3/4-16 |
| 11 | 5023483 | 2 | SHOCK & SPRING ASSEMBLY |
| 12 | 5025013X14 | 2 | BOLT, 3/8-16 X 1-3/4" GD5 CZ |
| 13 | 5025156 | 4 | WASHER, 3/8 SAE |
| 14 | 5025165 | 6 | WASHER, 3/8" Fender |
| 15 | 5025394 | 4 | NUT, 3/8 - 16 HEX NYLOCK FLANGE |
| 16 | 5025013X32 | 2 | BOLT, 3/8-16 X 4" GD5 CZ |
| 17 | 5102702 | 2 | PAD, FRICTION, .375 X 1.25 X 4.00 |
| 18 | 5402208B | 2 | WELD, CASTER YOKE - RED MODEL -(S/N: 4000771923 and below) |
| 18 | 5419196B | 2 | WELD, CASTER YOKE - RED -(S/N: 4000771924 and above) |
| 19 | 5403810B | 1 | WELD, PIVOTING FRONT END - RED -(61" Models) |
| 20 | 5109845 | 2 | CAP, GREASE, LOW PROFILE |
| 21 | 5025449 | 4 | WASHER, BELLEVILLE - 1.500 X .755 |
| 22 | 5025448 | 2 | NUT, 3/4-16, HEX JAM NYLON LOCK |
| 23 | 5025160 | 4 | WASHER, 3/4 SAE |
| 24 | 5020883 | 4 | CUP, BEARING (SV) -(SV) |
| 25 | 5405923B | 1 | WELD, PIVOTING FRONT END - RED -(52" Models) |
| 26 | 5025457 | 2 | BOLT, 1/4-28 X 1/2, GD5 YZ |

Footnotes:

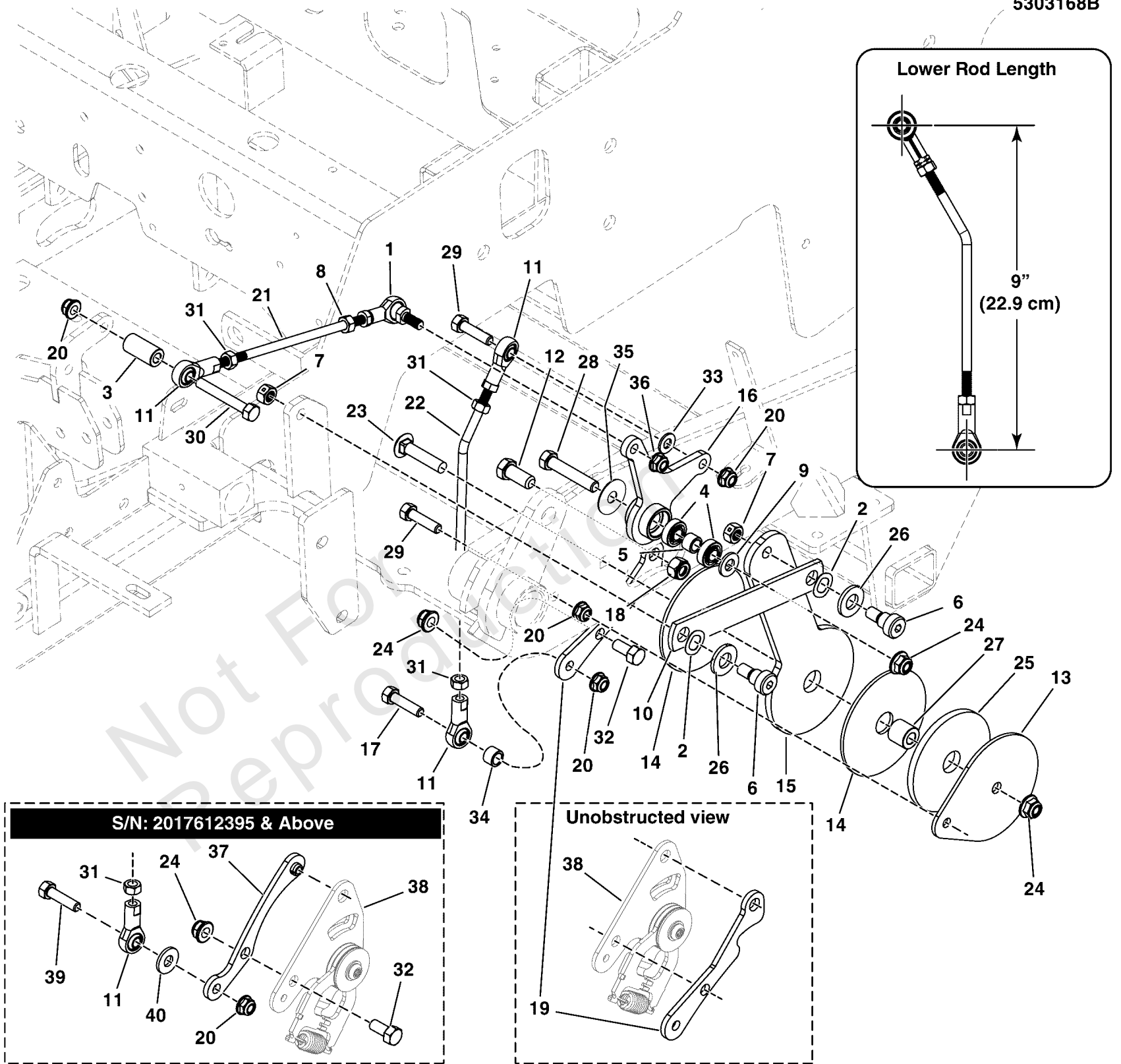
Note: *If frame is damaged, call 1-800-933-6175 ext. 709

Motion Control Group - Control System

Note: Unless noted otherwise, use the standard torque specifications

Mfg. No: 5902107

5303168B



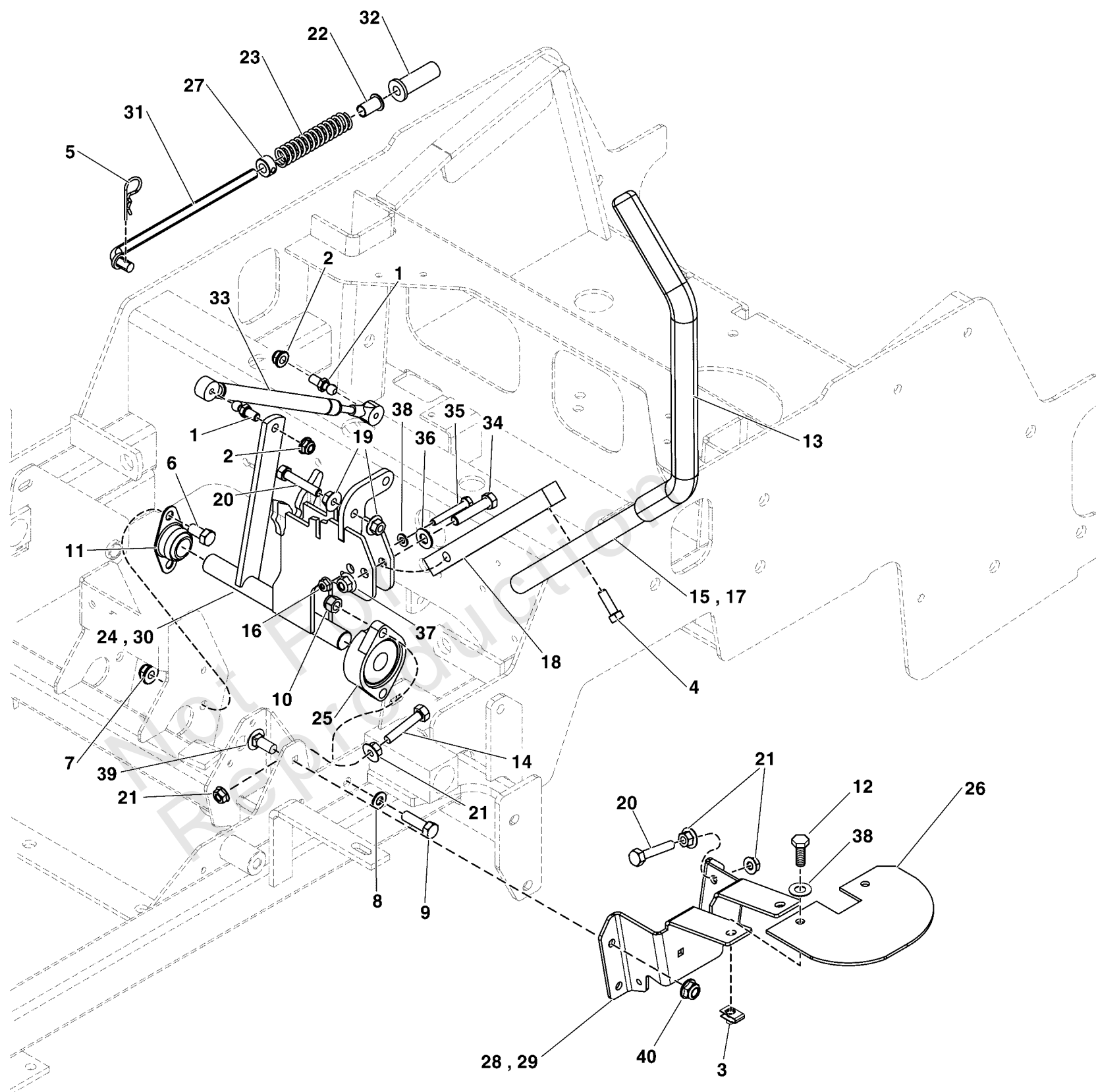
Motion Control Group - Control System

| REF NO | PART NO | QTY | DESCRIPTION |
|--------|------------|-----|--|
| 1 | 5104495 | 2 | BALL JOINT, 5/16-24 LH FEMALE W/STUD, BR |
| 2 | 5103784 | 4 | WAVE WASHER, 1/2"ID X .087"OD X .01 THK. |
| 3 | 5102599 | 2 | SPACER, .38 X .75 X 1.25, PM, CZ |
| 4 | 5102003 | 4 | BEARING, .375" ID X .875" OD X .341" THK |
| 5 | 5103676 | 2 | SPACER, .39 X .55 X .38, PM, CZ |
| 6 | 5025356 | 4 | BOLT, 3/8-16 X 3/8", 1/2" SHOULDER |
| 7 | 5025100 | 4 | NUT, Hex, Side Lock, 3/8-16 |
| 8 | 5023212 | 2 | NUT, 5/16-24 HEX, LH |
| 9 | 5025293 | 2 | WASHER, 3/8" GR. 9 FLAT |
| 10 | 5410447AYP | 2 | LINK, Control |
| 11 | 5104578 | 6 | BALL JOINT 5/16-24 RH FEMALE STAMPED STL |
| 12 | 5025015X6 | 2 | BOLT, 7/16-14 X 3/4, GD 5 YZ -(S/N: 2017612394 & Below) |
| 13 | 5410271A | 2 | PLATE, CONTROL SYSTEM LOCK - BLK |
| 14 | 5103672 | 4 | PAD, CONTROL SYSTEM |
| 15 | 5410268 | 2 | PLATE, CONTROL SYSTEM ARM - HT |
| 16 | 5103718 | 2 | PIVOT, CONTROL SYSTEM, S125XT |
| 17 | 5025011X12 | 2 | BOLT, 5/16-18 X 1-1/2" GD5 YZ -(S/N: 2017612394 & Below) |
| 18 | 5025044 | 2 | NUT, 7/16-14 HEX TOP LOCK -(S/N: 2017612394 & Below) |
| 19 | ----- | 2 | REPLACE WITH COMPONENTS IN S/N: 2017612395 & ABOVE RANGE -(S/N: 2017612394 & Below) |
| 20 | 5025392 | 6 | NUT, 5/16-18 HEX NYLOCK FLANGE NUT |
| 21 | 5103759 | 2 | ROD, HYDRO LINKAGE, 7.75, CZ |
| 22 | 5103760 | 2 | ROD, CONTROL SYSTEM, IS700, CZ |
| 23 | 5025146X12 | 2 | BOLT, 3/8-16 X 1-1/2, CARRIAGE, GD5, CZ |
| 24 | 5025394 | 6 | NUT, 3/8 - 16 HEX NYLOCK FLANGE |
| 25 | 5103704 | 2 | PAD, .77 X 3.50 X .25, POLYURETHANE |
| 26 | 5025440 | 4 | WASHER, 1/2" GD9 YZ |
| 27 | 5103705 | 2 | SPACER, .39 X .75 X .69, PM, CZ |
| 28 | 80003522 | 2 | HHCS, 3/8-16 X 2.00, GR5, ZINC/CLEAR |
| 29 | 5025011X10 | 10 | BOLT, 5/16-18 X 1-1/4" GD5 YZ |
| 30 | 5025011X20 | 2 | BOLT, 5/16-18 X 2-1/2" GD5 YZ |
| 31 | 5025033 | 6 | NUT, Hex, 5/16-24 |
| 32 | 5025013X6 | 2 | BOLT, 3/8-16 X 3/4" GD5 CZ |
| 33 | 5025292 | 2 | WASHER, 5/16 GRADE 9, FLAT |
| 34 | 5103767 | 2 | SPACER, .33 X .63 X .36, PM, CZ -(S/N: 2017612394 & Below) |
| 35 | 5025165 | 2 | WASHER, 3/8" Fender |
| 36 | 5025045 | 2 | NUT, 5/16-24 HEX NYLON LOCK |
| 37 | 5105030 | 2 | CONTROL ARM, ZT3400 -(S/N: 2017612395 & Above) |
| 38 | ----- | 0 | TRANSAXLE CONTROL ARM (PART OF TRANSAXLE) |
| 39 | 5025011X10 | 2 | BOLT, 5/16-18 X 1-1/4" GD5 YZ -(S/N: 2017612395 & Above) |
| 40 | 5025155 | 2 | WASHER, 5/16" SAE -(S/N: 2017612395 & Above) |

Motion Control Group - Handles & Dampeners

Note: Unless noted otherwise, use the standard torque specifications

Mfg. No: 5902107



Motion Control Group - Handles & Dampeners

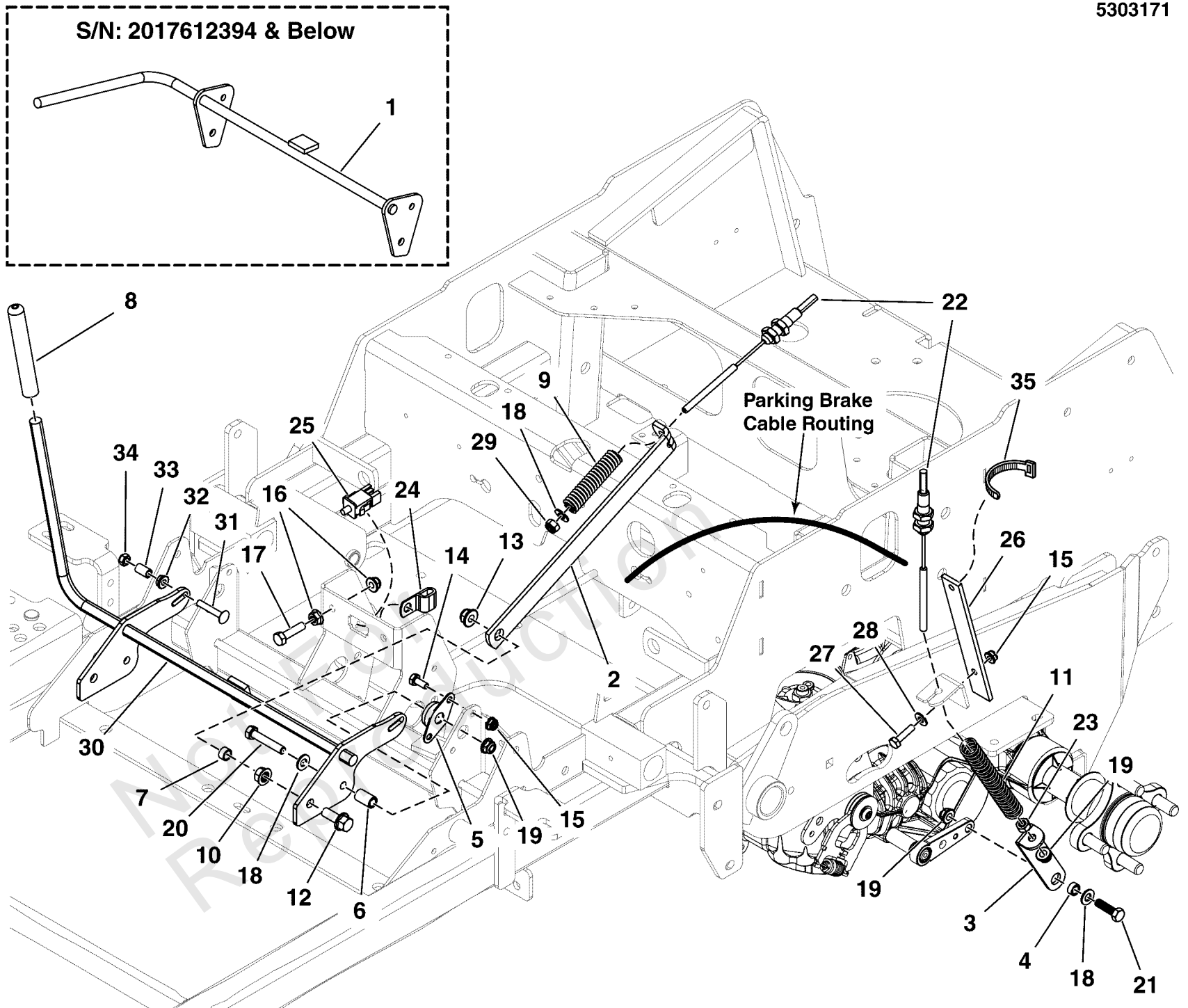
| REF NO | PART NO | QTY | DESCRIPTION |
|--------|------------|-----|--|
| 1 | 5101307 | 4 | 10MM BALL STUD, 5/16-18 X 3/4 THDS |
| 2 | 5025392 | 12 | NUT, 5/16-18 HEX NYLOCK FLANGE NUT |
| 3 | 5022665 | 4 | BODY CLIP, 1/4-20 X 1/2" DEEP |
| 4 | 80003531 | 4 | SCREW, 5/16-18x0.750, GR5, WHIZ-LOCK, ZC |
| 5 | 5025210 | 2 | 3/32 X 1-5/8 HAIR PIN CLIP |
| 6 | 5025013X6 | 4 | BOLT, 3/8-16 X 3/4" GD5 CZ |
| 7 | 5025394 | 6 | NUT, 3/8 - 16 HEX NYLOCK FLANGE |
| 8 | 5025155 | 4 | WASHER, 5/16" SAE |
| 9 | 5025327 | 4 | BOLT, Allen Head, 3/8-16 x 1-1/4 |
| 10 | 5025096 | 4 | NUT, 3/8-16 HEX NYLON LOCK |
| 11 | 5021098 | 2 | BEARING, BRONZE FLANGE, 3/4" |
| 12 | 5025010X6 | 4 | BOLT, 1/4"-20 X 3/4" GD5 YZ |
| 13 | 5104722 | 2 | GRIP, FOAM, 1" ID, 16" LONG |
| 14 | 5025055X10 | 2 | BOLT, 5/16-18 X 1-1/4 GD5 TFL, CZ |
| 15 | 5108430AA | 1 | WELD,HANDLE MOTION CNTRL-19.0,1.0-LH-BLK |
| 16 | 5025391 | 6 | NUT, 1/4-20 Hex Nylock Flange |
| 17 | 5108431AA | 1 | WELD,HANDLE MOTION CNTRL-19.0,1.0-RH-BLK |
| 18 | 5103106AA | 2 | MOUNT, CONTROL ARM - BLK |
| 19 | 5025139 | 4 | NUT, 5/16-18 HEX SERRATED FLANGE (LARGE) |
| 20 | 5025055X14 | 2 | BOLT, 5/16-18 X 1-3/4 TFL, GD5 YZ |
| 21 | 5025127 | 8 | NUT, 5/16-18 HEX SERRATED FLANGE (SMALL) |
| 22 | 5023260 | 2 | BUSHING, FLANGE 3/8ID X 7/8 LONG |
| 23 | 5022645 | 2 | SPRING, REVERSE RETURN |
| 24 | 5416663A | 1 | WELD, CONTROL SHAFT, LOCKOUT, LH - BLK |
| 25 | 5021499 | 2 | BEARING, FLANGE |
| 26 | 5410610AA | 2 | PLATE, NEUTRAL LOCK SHIELD - IS700 - BLK |
| 27 | 5010546 | 2 | COLLAR, 3/8" Set |
| 28 | 5409982A | 1 | PLATE, NEUTRAL LOCK, LH - BLK |
| 29 | 5409983AYP | 1 | LOCK, Neutral, RH -(Not illustrated) |
| 30 | 5416664A | 1 | WELD, CONTROL SHAFT, LOCKOUT, RH - BLK -(Not illustrated) |
| 31 | 5100947 | 2 | ROD, NEUTRAL RETURN, CZ |
| 32 | 5104375 | 2 | FLANGED BUSHING, 3/8IDX.63ODX.8125FL |
| 33 | 5100940 | 2 | DAMPENER, CONTROL,#(P6709/P3610) |
| 34 | 5025013X14 | 2 | BOLT, 3/8-16 X 1-3/4" GD5 CZ |
| 35 | 5025010X14 | 2 | BOLT, 1/4 X 20 X 1-3/4 GD5 YZ |
| 36 | 5025156 | 2 | WASHER, 3/8 SAE |
| 37 | 5025394 | 4 | NUT, 3/8 - 16 HEX NYLOCK FLANGE |
| 38 | 5025154 | 6 | WASHER, 1/4 SAE |
| 39 | 5025145X6 | 4 | BOLT, 5/16-18 X 3/4, CARRIAGE, GD5, CZ |
| 40 | 5025033 | 4 | NUT, Hex, 5/16-24 |

Parking Brake Group

Note: Unless noted otherwise, use the standard torque specifications

Mfg. No: 5902107

5303171



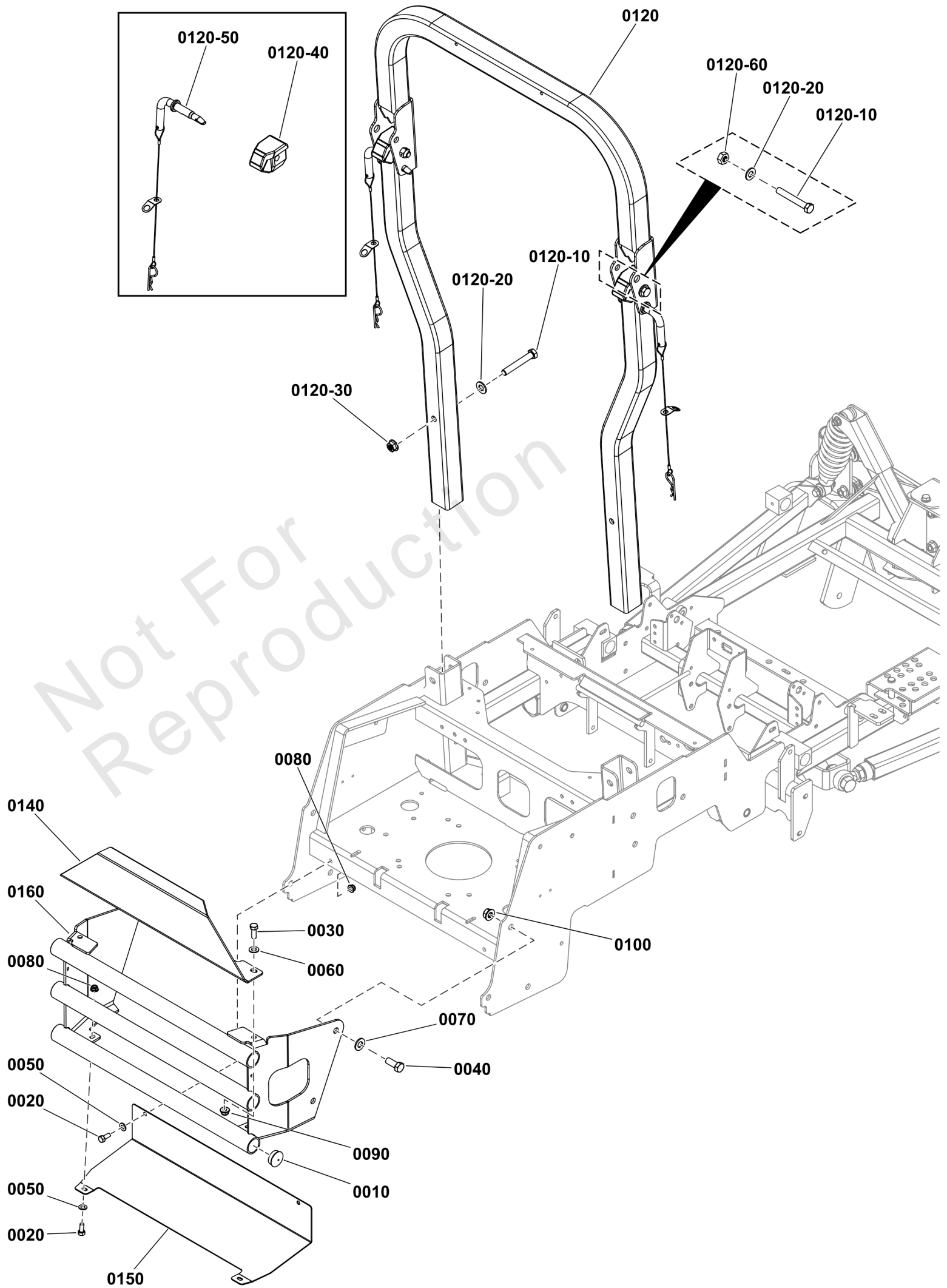
Parking Brake Group

| REF NO | PART NO | QTY | DESCRIPTION |
|--------|------------|-----|--|
| 1 | 5410216A | 1 | WELD, BRAKE SHAFT, IS600 - BLK |
| 2 | 5410328AA | 2 | LINK, BRAKE LOCK, IS700 - BLK |
| 3 | 5410294AA | 2 | LINK, LOWER BRAKE, IS700 - BLK |
| 4 | 5102463 | 2 | SPACER, .33 X .50 X .25, CZ |
| 5 | 5101123 | 2 | BEARING, 1/2 FLANGED, PLASTIC BALL |
| 6 | 5103660 | 2 | SPACER, .32 X .50 X .83, CZ |
| 7 | 5041930 | 2 | SPACER, .38 X .50 X .27, CZ |
| 8 | 5021880 | 1 | GRIP, FOAM, .475 X 4.35 X .095 |
| 9 | 5023242 | 2 | SPRING-COMP, .496ID X 3.00LG X .112WR |
| 10 | 5025128 | 2 | NUT, 3/8-16 HEX SERRATED FLANGE |
| 11 | 5021494 | 2 | SPRING, COMPRESSION, 5-1/2 |
| 12 | 5025390X12 | 2 | BOLT, 3/8-16 X 1-1/2, FLANGE, GD 5, CZ |
| 13 | 5025394 | 2 | NUT, 3/8-16 HEX NYLOCK FLANGE |
| 14 | ----- | 4 | HHCS, 1/4-20 X 0.625, GR5, ZINC/CLEAR |
| 15 | 5025391 | 6 | NUT, 1/4-20 HEX NYLOCK FLANGE |
| 16 | 5025127 | 2 | NUT, 5/16-18 HEX SERRATED FLANGE (SMALL) |
| 17 | 5025055X10 | 1 | BOLT, 5/16-18 X 1-1/4 GD5 TFL, CZ |
| 18 | 5025155 | 6 | WASHER, 5/16" SAE |
| 19 | 5025392 | 6 | NUT, 5/16-18 HEX NYLOCK FLANGE |
| 20 | 5025011X12 | 2 | BOLT, 5/16-18 X 1-1/2" GD5 YZ |
| 21 | 5025011X9 | 2 | BOLT, 5/16-18 X 1-1/8 GD5 |
| 22 | 5104276 | 2 | CABLE, PARKING BRAKE, 31" (787.9 MM) |
| 23 | 5025032 | 2 | NUT, 5/16-18 HEX |
| 24 | 5025430 | 1 | CLAMP, 5/16 DOUBLE, WIRE & TUBE -(For stowing the spanner wrench.) |
| 25 | ----- | 1 | SEE ELECTRICAL GROUP |
| 26 | 5410734AA | 2 | BRACKET, CABLE SUPPORT - BLK |
| 27 | 5025010X6 | 2 | BOLT, 1/4-20 X 3/4 GD5 YZ |
| 28 | 5025154 | 2 | WASHER, 1/4 SAE |
| 29 | 5025045 | 2 | NUT, 5/16-24 HEX NYLON LOCK |
| 30 | 5415910AA | 1 | WELD, BRAKE SHAFT, 600/700/125/560 - BLK -(S/N: 2017612395 & Above) |
| 31 | 80003564 | 2 | BOLT, 1/4-20 X 1.500, GR5, SQ, ZINC/CLEA -(S/N: 2017612395 & Above) |
| 32 | 5025126 | 2 | NUT, 1/4-20 HEX SERR. FLANGE -(S/N: 2017612395 & Above) |
| 33 | 5041483 | 2 | SPACER, .25 X .38 X .63, CZ -(S/N: 2017612395 & Above) |
| 34 | 5025095 | 2 | NUT, 1/4-20 HEX NYLON LOCK -(S/N: 2017612395 & Above) |
| 35 | 5021029 | 2 | TIE, SELF-LOCKING, 12" |

Rear Bumper and ROPS Group

Note: Unless noted otherwise, use the standard torque specifications

Mfg. No: 5902107



Rear Bumper and ROPS Group

| REF NO | PART NO | QTY | DESCRIPTION |
|---------|------------|-----|------------------------------------|
| 0010 | 5023484 | 6 | PLUG, PANEL, 1.25 - BLACK |
| 0020 | 5025011X6 | 4 | BOLT, 5/16-18 X 3/4 GD5 |
| 0030 | 5025013X8 | 2 | BOLT, 3/8-16 X 1" GD5 CZ |
| 0040 | 5025017X10 | 4 | BOLT, 1/2-13 X 1-1/4 GD5 CZ |
| 0050 | 5025155 | 4 | WASHER, 5/16" SAE |
| 0060 | 5025156 | 2 | WASHER, 3/8 SAE |
| 0070 | 5025158 | 4 | WASHER, 1/2 SAE |
| 0080 | 5025392 | 4 | NUT, 5/16-18 HEX NYLOCK FLANGE NUT |
| 0090 | 5025394 | 2 | NUT, 3/8 - 16 HEX NYLOCK FLANGE |
| 0100 | 5025396 | 4 | NUT, Hex Flange, Nylock, 1/2-13 |
| 0120 | ----- | 1 | ROLL BAR -(Refer to Note: *) |
| 0120-10 | 5025017X24 | 4 | BOLT, 1/2-13 X 3" GD5 CZ |
| 0120-20 | 5025158 | 4 | WASHER, 1/2 SAE |
| 0120-30 | 5025332 | 2 | NUT, 1/2-13 Hex Side Lock |
| 0120-40 | 5108027 | 2 | BLOCK, ROPS |
| 0120-50 | 5108350 | 2 | HINGE PIN ASSEMBLY |
| 0120-60 | 5025332 | 2 | NUT, 1/2-13 Hex Side Lock |
| 0140 | 5410486B | 1 | PLATE, CARB PROTECTOR - RED |
| 0150 | 5410485AA | 1 | PLATE, HEAT SHIELD, IS700 - BLK |
| 0160 | 5410483B | 1 | WELD, BUMPER - IS700 - RED |

Footnotes:

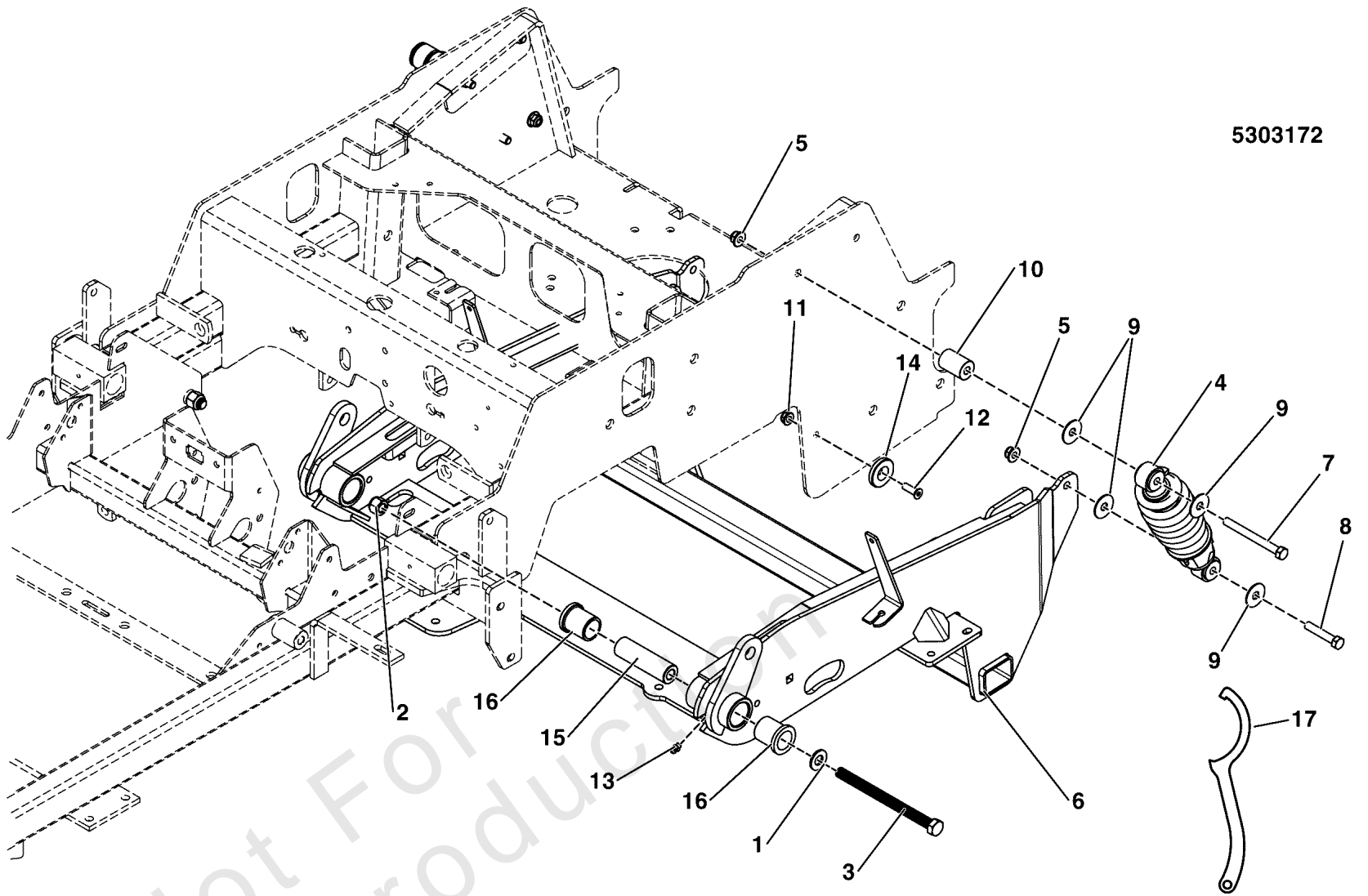
Note: *Contact the Service Department at 1-800-933-6175 for roll bar replacement parts. You must provide the serial number of the roll bar system.

Rear Suspension Group

Note: Unless noted otherwise, use the standard torque specifications

Mfg. No: 5902107

5303172



Rear Suspension Group

| REF NO | PART NO | QTY | DESCRIPTION |
|--------|------------|-----|-------------------------------------|
| 1 | 5025158 | 2 | WASHER, 1/2 SAE |
| 2 | 5025056 | 2 | NUT, 1/2-13 HEX NYLON LOCK |
| 3 | 5025488X52 | 2 | BOLT, 1/2-13 X 6-1/2" GD8 YZ |
| 4 | 5023436 | 2 | COIL - OVER SHOCK ASSEMBLY |
| 5 | 5025394 | 4 | NUT, 3/8 - 16 HEX NYLOCK FLANGE |
| 6 | 84007762 | 1 | CRADLE, Suspension |
| 7 | 5025013X28 | 2 | BOLT, 3/8-16 X 3-1/2" GD5 CZ |
| 8 | 5025013X16 | 2 | BOLT, 3/8-16 X 2, GD5, CZ |
| 9 | 5025165 | 8 | WASHER, 3/8" Fender |
| 10 | 5103427 | 2 | SPACER, .39 X 1.00 X 1.25, PM, CZ |
| 11 | 5025392 | 2 | NUT, 5/16-18 HEX NYLOCK FLANGE NUT |
| 12 | 5025594 | 2 | SCREW, 5/16-18 X 1, PHILLIPS HD, BZ |
| 13 | 5020095 | 2 | GREASE FITTING, 1/4-28 Straight |
| 14 | 5102701 | 2 | SPACER, .34 X 1.54 X .25 - UHMW |
| 15 | 5061339 | 2 | SPACER, .52 X 1.00 X 3.42 |
| 16 | 5021541 | 4 | BUSHING, FLANGE |
| 17 | 5022853 | 1 | WRENCH, SPANNER, CZ |

Seat Mount and Floor Group S/N: 4001827762 and Above

Note: Unless noted otherwise, use the standard torque specifications

Mfg. No: 5902107

Seat Service Parts:

0080-10 - Back Cover, Seat

0080-15 - Cushion Cover, Seat

0080-20 - Set of Non-Adjust Arms

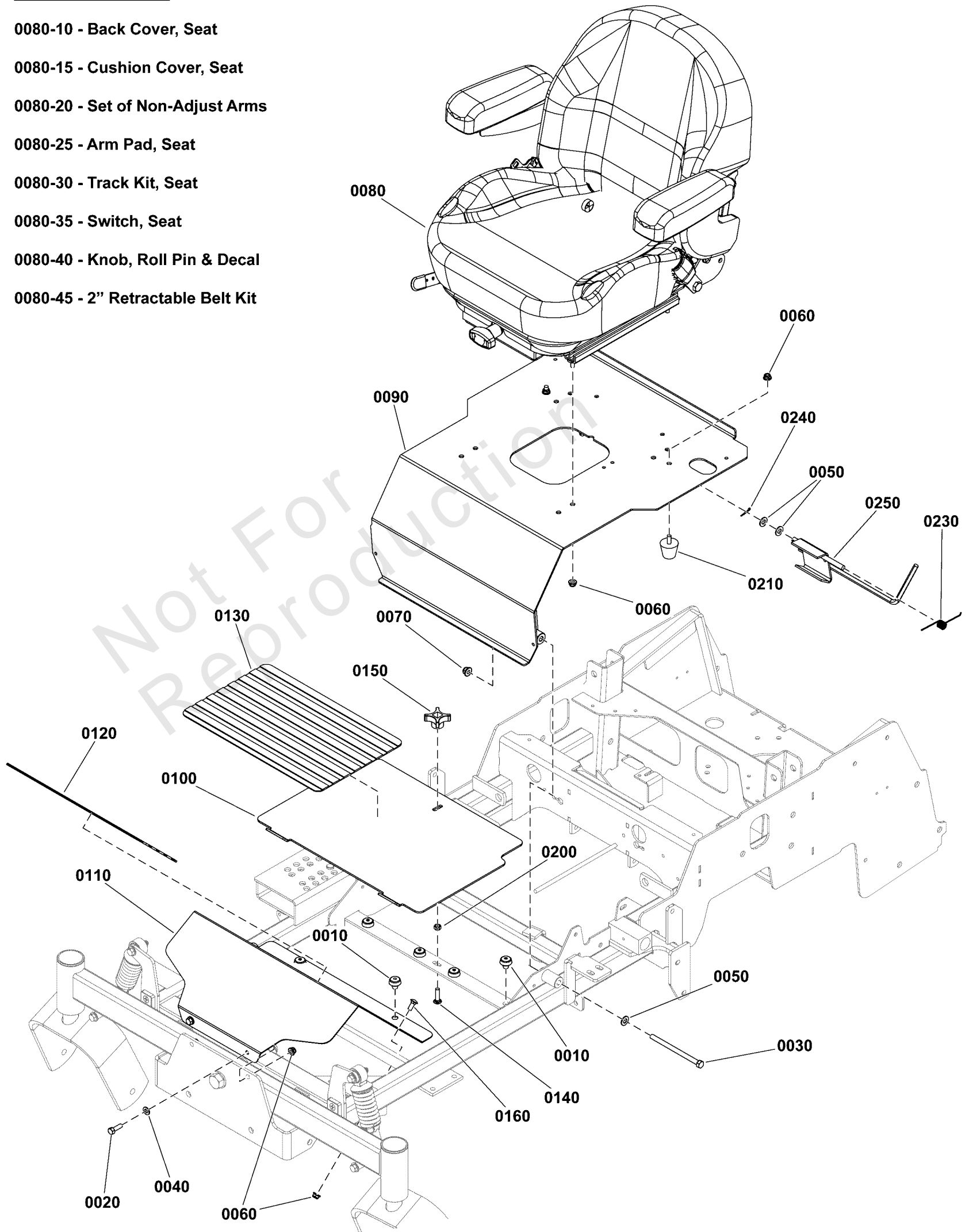
0080-25 - Arm Pad, Seat

0080-30 - Track Kit, Seat

0080-35 - Switch, Seat

0080-40 - Knob, Roll Pin & Decal

0080-45 - 2" Retractable Belt Kit



Seat Mount and Floor Group S/N: 4001827762 and Above

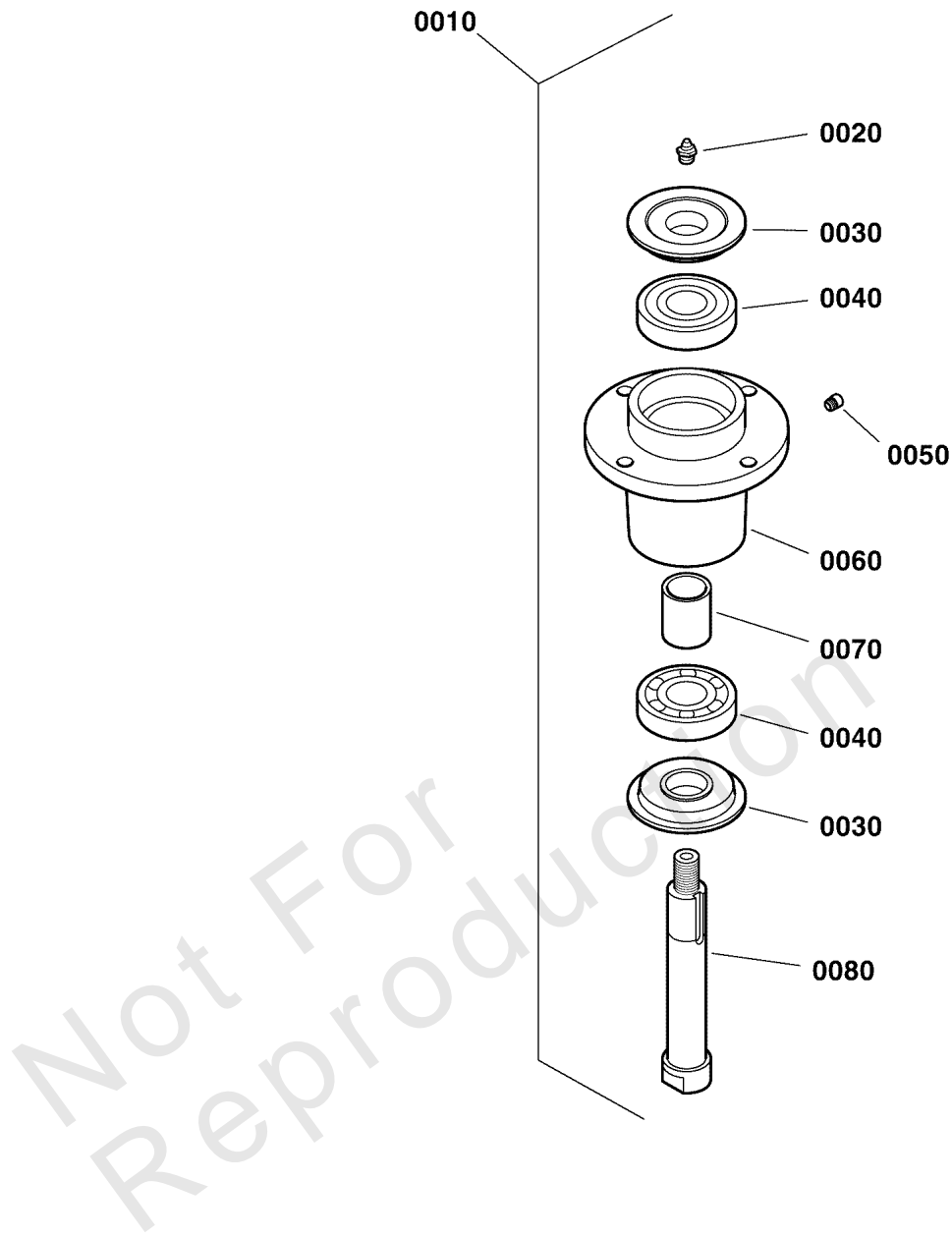
| REF NO | PART NO | QTY | DESCRIPTION |
|---------|------------|-----|---|
| 0010 | 197546 | 6 | MNT, VBRTN, RBBR |
| 0020 | 5025011X8 | 2 | BOLT, 5/16-18 X 1" GRD5 YZ |
| 0030 | 5025013X44 | 2 | BOLT, 3/8-16 X 5-1/2" GD5 CZ |
| 0040 | 5025155 | 2 | WASHER, 5/16" SAE |
| 0050 | 5025156 | 4 | WASHER, 3/8 SAE |
| 0060 | 5025392 | 10 | NUT, 5/16-18 HEX NYLOCK FLANGE NUT |
| 0070 | 5025394 | 2 | NUT, 3/8 - 16 HEX NYLOCK FLANGE |
| 0080 | 5109530 | 1 | SEAT, 110 SUSPENSION, W/ BELTS |
| 0080-10 | 84005183 | 1 | COVER, Back -(SV) |
| 0080-15 | 84005184 | 1 | CUSHION, Seat -(SV) |
| 0080-20 | 5108520X5 | 1 | SET OF NON-ADJUST ARMS -(SV) |
| 0080-25 | 5106325X3 | 1 | SET OF ARM PADS -(SV) |
| 0080-30 | 5108520X1 | 1 | TRACK KIT, SEAT -(SV) |
| 0080-35 | 7023354 | 1 | SWITCH, SEAT -(SV) |
| 0080-40 | 84005187 | 1 | KNOB, Adjuster -(SV) |
| 0080-45 | 5106325X5 | 1 | 2" RETRACTABLE BELT KIT -(SV) |
| 0090 | 5601294 | 1 | SEAT PLATE W/DECALS, 800, ST LTCH -(USA Models) |
| 0090 | 5601295 | 1 | SEAT PLATE W/DECALS, 800, ST LATCH AUS -(Ansi-Export Models) |
| 0100 | 5410296B | 1 | PLATE, FLOOR, REMOVABLE, IS700 - RED |
| 0110 | 5410297B | 1 | PLATE, FLOOR, RIDGID, IS700 - RED |
| 0120 | 5101374 | 1 | SAFETY WALK, FLOOR REST, 16.00 X 6.00 |
| 0130 | 5101333 | 1 | SAFETY WALK, FLOOR PLATE, S50X, 10X17.13 |
| 0140 | 5025145X10 | 1 | BOLT, 5/16-18 X 1-1/4, CARRIAGE, GD5, CZ |
| 0150 | 1670578 | 1 | KNOB-INT THR .312-18 4-ARM 2.12WD 1.06LG |
| 0160 | 5025145X6 | 2 | BOLT, 5/16-18 X 3/4, CARRIAGE, GD5, CZ |
| 0200 | 80003675 | 1 | NUT, 5/16-1/8, HEX, CNTR LK, ZINC PHOS/OIL |
| 0210 | 5106763 | 2 | BUMPER, RUBBER, 5/16-18, 60 DURO |
| 0230 | 5106644 | 1 | SPRING, TORSION, LH, .0625OD |
| 0240 | 80002736 | 1 | PIN, 3/32 X 0.750, COT, ZINC/CLEAR |
| 0250 | 5420950AA | 1 | WELD, SEAT LATCH HOOK, 700/800 - BLK |

Spindle SERVICE PARTS - 5061095

Note: Unless noted otherwise, use the standard torque specifications

Mfg. No: 5902107

5061095



Spindle SERVICE PARTS - 5061095

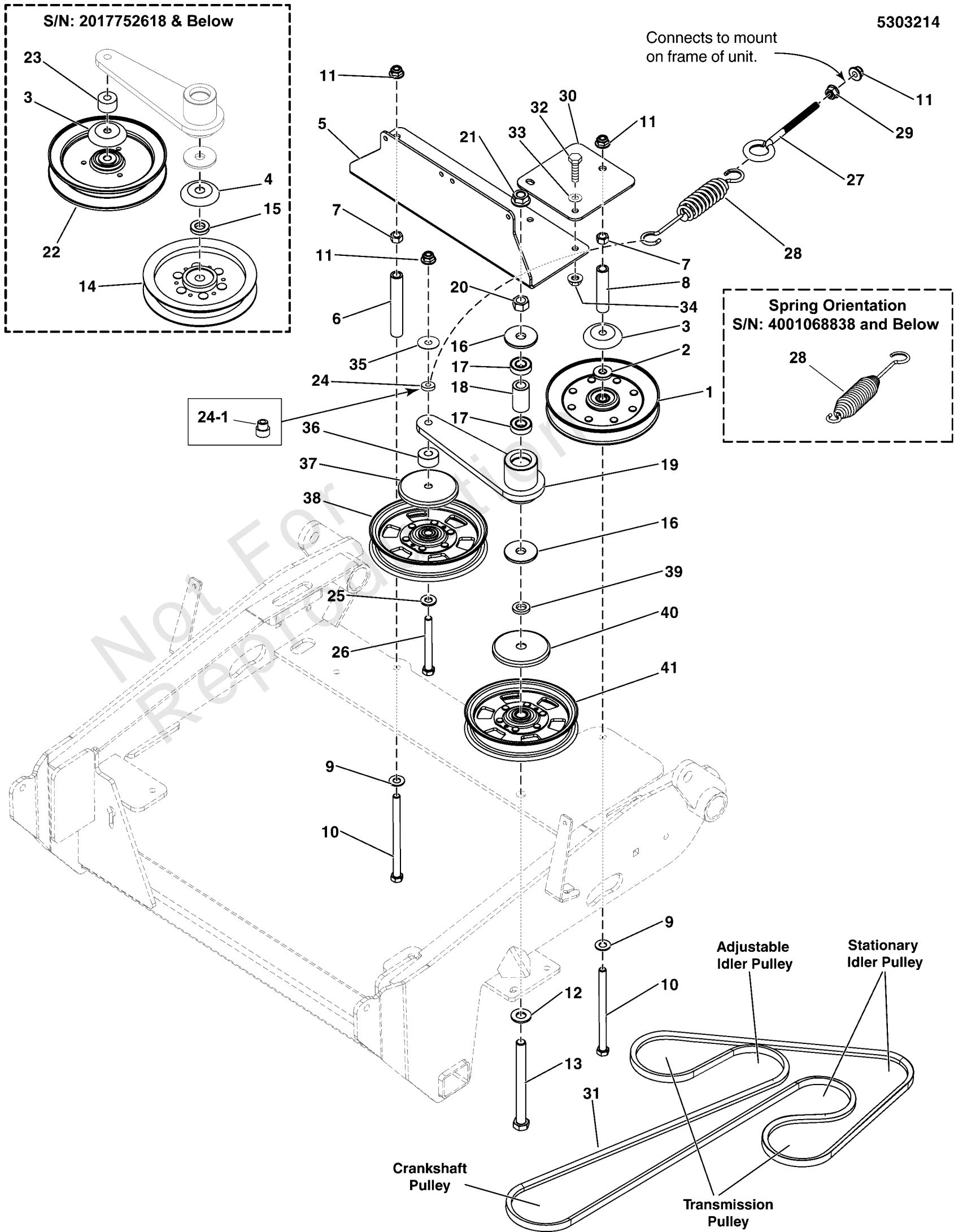
| REF NO | PART NO | QTY | DESCRIPTION |
|--------|---------|-----|---|
| 0010 | 5061095 | 1 | SPINDLE, ASSM, ALUMINUM - 5.25 -(Nut and Washer Sold Separately) (Includes items #0020 - 0080) |
| 0020 | 5023329 | 1 | FITTING, 1/8 NPT STR, SHORT |
| 0030 | 5049793 | 2 | TRASH SHIELD |
| 0040 | 5023330 | 2 | BEARING, .98 X 2.44 X .67 |
| 0050 | 5023296 | 1 | FITTING, RELIEF, 1-5 PSI |
| 0060 | 5061097 | 1 | HOUSING, SPINDLE |
| 0070 | 5061099 | 1 | SPACER, 1.00 X 1.25 X 1.75 |
| 0080 | 5061098 | 1 | SPINDLE SHAFT |

Not For Reproduction

Transaxle Drive Group

Note: Unless noted otherwise, use the standard torque specifications

Mfg. No: 5902107



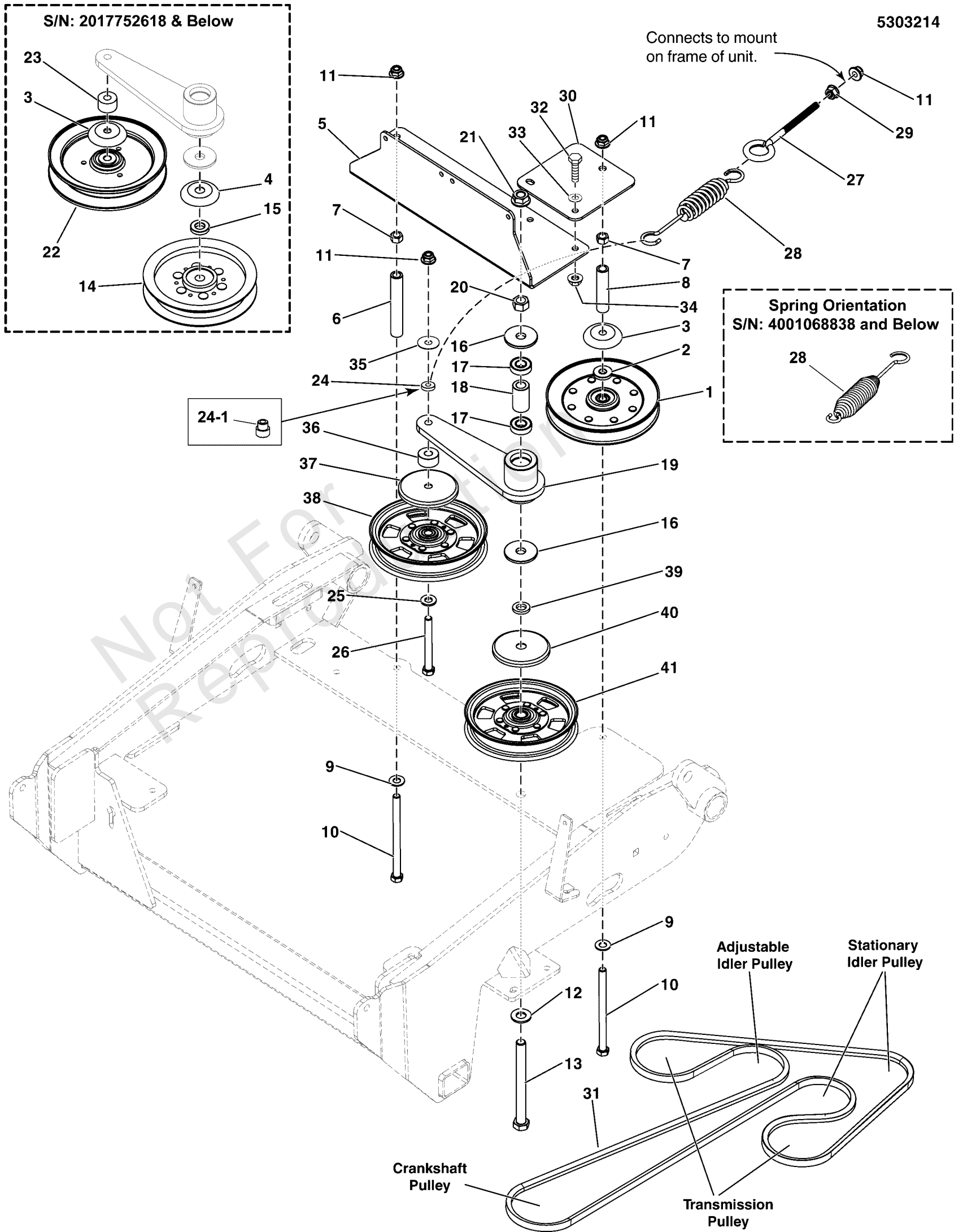
Transaxle Drive Group

| REF NO | PART NO | QTY | DESCRIPTION |
|--------|------------|-----|--|
| 1 | 5103792 | 1 | PULLEY, IDLER-V, 5.83OB, .381ID, .94W |
| 2 | 5101965 | 1 | SPACER, .390 X 1.00 X .188, CZ |
| 3 | 5103787 | 1 | SHIELD, BEARING PULLEY, 3/8ID -(Qty: 2 - S/N: 2017752618 & Below) |
| 4 | 5101103 | 1 | SHIELD, PULLEY BEARING -(S/N: 2017752618 & Below) |
| 5 | 5410310A | 1 | PLATE, RESERVOIR MOUNT - BLK |
| 6 | 5103763 | 1 | SPACER, .39 X .63 X 4.06, CZ |
| 7 | 5025034 | 2 | NUT, 3/8-16 HEX |
| 8 | 5103765 | 1 | SPACER, .39 X .63 X 2.81, CZ |
| 9 | 5025156 | 2 | WASHER, 3/8 SAE |
| 10 | 5025013X44 | 2 | BOLT, 3/8-16 X 5-1/2" GD5 CZ |
| 11 | 5025394 | 4 | NUT, 3/8-16 HEX NYLOCK FLANGE |
| 12 | 5025158 | 1 | WASHER, 1/2 SAE |
| 13 | 5025017X44 | 1 | BOLT, 1/2-13 X 5-1/2 GD5 YZ |
| 14 | 5103764 | 1 | PULLEY, IDLER 5"OD .500ID, .75W STL -(S/N: 2017752618 & Below) |
| 15 | 5100520 | 1 | SPACER, .52 X 1.00 X .22, PM, CZ -(S/N: 2017752618 & Below) |
| 16 | 5103262 | 2 | SPACER, IDLER ARM, 1/2" |
| 17 | 7078243 | 2 | BEARING, BALL, AXLE |
| 18 | 5103812 | 1 | SPACER, .52 X .84 X 1.53, PM |
| 19 | 5412787AA | 1 | WELD, IDLER ARM, PUMP DRIVE, 6.38 - BLK |
| 20 | 703340 | 1 | NUT, 1/2-13, GR5, HEX, ZC |
| 21 | 5025396 | 1 | NUT, Hex Flange, Nylock, 1/2-13 |
| 22 | 5103789 | 1 | PULLEY, C-SEC, V-IDLER, 6.25"ODX3/8ID -(S/N: 2017752618 & Below) |
| 23 | 5100334 | 1 | SPACER, .39 X 1.00 X .63, CZ -(S/N: 2017752618 & Below) |
| 24 | 5044960 | 1 | SPACER, .39 X 1.00 X .25, PM, CZ -(S/N: 4001068839 and Above) |
| 24-1 | 5020923 | 1 | SPACER, Shoulder -(S/N: 4001068838 and Below) |
| 25 | 5025293 | 1 | WASHER, 3/8 GD.9 FLAT |
| 26 | 5025013X28 | 1 | BOLT, 3/8-16 X 3-1/2" GD5 CZ -(S/N: 4001068838 and Below) |
| 26 | 5025013X22 | 1 | BOLT, 3/8-16 X 2-3/4" GD5 CZ -(S/N: 4001068839 and Above) |
| 27 | 5021812 | 1 | EYE BOLT, 3/8-16 X 6, 3.0 THREAD |
| 28 | 5100632 | 1 | SPRING-EXT, 1.25OD X 9.3LG X .142WR, BLK -(coil-to-coil spring measurement: 5-3/4") |
| 29 | 5025128 | 1 | NUT, 3/8-16 HEX SERRATED FLANGE |
| 30 | 5410589AYP | 1 | PLATE, Support |
| 31 | 5103653 | 1 | BELT, A-SEC, 114.3"EL, ARAMID, WRPD |
| 32 | 5025011X6 | 2 | BOLT, 5/16-18 X 3/4 GD5 |
| 33 | 5025155 | 2 | WASHER, 5/16" SAE |
| 34 | 5025392 | 2 | NUT, 5/16-18 HEX NYLOCK FLANGE |
| 35 | 5025165 | 1 | WASHER-3/8 FENDER |
| 36 | 5046860 | 1 | SPACER, .39 X 1.00 X .50, PM, CZ -(S/N: 2017752619 & Above) |
| 37 | 5105146 | 1 | SHIELD, BEARING, 3/8ID X 2-7/8OD, CZ -(S/N: 2017752619 & Above) |
| 38 | 5105098 | 1 | PULLEY, FLT IDLER, 5.0 X .75 X .38, CZ -(S/N: 2017752619 & Above) |
| 39 | 5104239 | 1 | SPACER, .52 X .88 X .14, BZ -(S/N: 2017752619 & Above) |

Transaxle Drive Group

Note: Unless noted otherwise, use the standard torque specifications

Mfg. No: 5902107



Transaxle Drive Group

| REF NO | PART NO | QTY | DESCRIPTION |
|--------|---------|-----|--|
| 40 | 5105145 | 1 | SHIELD, BEARING, 1/2ID X 2-7/8 OD, CZ -(S/N: 2017752619 & Above) |
| 41 | 5105101 | 1 | PULLEY, FLT IDLER, 5.0 X .75 X .50SH, CZ -(S/N: 2017752619 & Above) |

Not For Reproduction

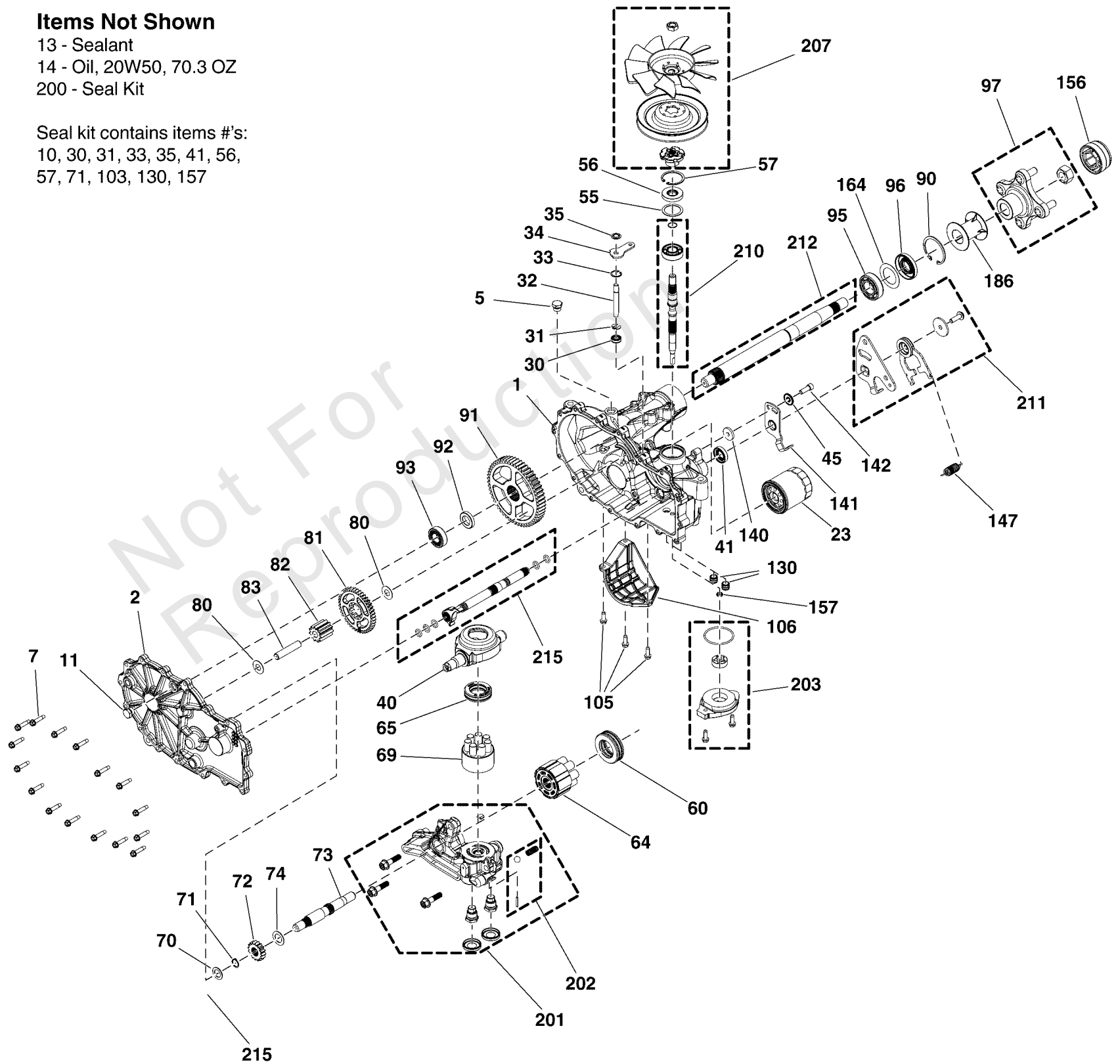
**Service Parts Schematic for Hydro-Gear® Transaxles:
ZJ-KYEF-8T7C-1GRX (5106642)
ZJ-GYEF-8T7B-1GRX (5106643)**

For components not listed see your authorized Hydro-Gear® service provider.

Items Not Shown

- 13 - Sealant
- 14 - Oil, 20W50, 70.3 OZ
- 200 - Seal Kit

Seal kit contains items #'s:
10, 30, 31, 33, 35, 41, 56,
57, 71, 103, 130, 157



Transaxle SERVICE Parts - Hydro-Gear ZT3200 (5106643_5106642)

| REF NO | PART NO | QTY | DESCRIPTION |
|--------|------------|-----|--|
| 1 | ---- | 1 | KIT, MAIN HOUSING, LH, CHRГ, CNTL |
| 2 | ---- | 1 | KIT, SIDE COVER, LH |
| 5 | ---- | 1 | PLUG EXTERNAL HEX VENT 9/16-18 |
| 7 | ---- | 16 | SCREW, HEX WASHER |
| 11 | ---- | 1 | PLUG EXTERNAL HEX VENT 9/16-18 |
| 13 | ---- | 1 | TUBE, SEALANT |
| 23 | 5101026X1 | 1 | FILTER, OIL, ZT2800 |
| 30 | 5104471X1 | 1 | SEAL, .375 X .750 X .25 LIP, H/G 51626 |
| 31 | ---- | 1 | BYPASS RETAINING RING 1 |
| 32 | ---- | 1 | ROD, BYPASS .375 X 2.88 |
| 33 | ---- | 1 | BYPASS RETAINING RING 2 |
| 34 | ---- | 1 | ARM, BYPASS |
| 35 | ---- | 1 | RING, RETAINING .375 EXTERNAL |
| 40 | ---- | 1 | SWASHPLATE, TRUNNION |
| 41 | 5101026X2 | 1 | SEAL, CONTROL ARM, 18X32X7, #51140 |
| 45 | ---- | 1 | WASHER, .34X.88X.06 |
| 55 | 1730272 | 1 | SPACER (50951) |
| 56 | 5101026X3 | 1 | SEAL, LIP, 17 X 40 X 7 |
| 57 | 5101026X4 | 1 | RING, RET 2.06 INT, |
| 60 | ---- | 1 | BEARING, THRUST 35 x 62 x 18 |
| 64 | ---- | 1 | KIT, 16cc CYLINDER BLOCK ASSEMBLY |
| 65 | ---- | 1 | BEARING, THRUST 30 x 52 x 13 |
| 69 | ---- | 1 | KIT, BLOCK 7 PISTON |
| 70 | ---- | 1 | WASHER, .63 X 1.00 X .05 FLAT |
| 71 | 1706130 | 1 | RING-SNAP (44145) |
| 72 | ---- | 1 | GEAR, 16T (STEEL) |
| 73 | ---- | 1 | SHAFT, MOTOR |
| 74 | ---- | 1 | WASHER, .71 X 1.16 X .04 FLAT |
| 80 | ---- | 2 | WASHER, .51 X 1.00 X .03 FLAT |
| 81 | ---- | 1 | GEAR, 43T |
| 82 | ---- | 1 | GEAR, 11T (STEEL) |
| 83 | ---- | 1 | PIN, JACKSHAFT |
| 90 | 5101026X17 | 1 | RING, RETAINING 2.25 INTERNAL (50859) |
| 91 | ---- | 1 | GEAR, 54T |
| 92 | ---- | 1 | SPACER, .750 X 1.320 X .257 |
| 93 | 5101026X18 | 1 | KIT, BEARING (72749) |
| 95 | 5101026X5 | 1 | BEARING BALL, 1.0 X 52 X 15 OPEN 6205M |
| 96 | 5103589X1 | 1 | KIT, SEAL, AXLE - HG# 53699 |
| 97 | 5103589X8 | 1 | ASSM, HUB |
| 105 | ---- | 3 | SCREW, HEX WASHER 1/4-20 X .75 |
| 106 | ---- | 1 | GUARD, FILTER, LH |
| 130 | ---- | 2 | TUBE, CHARGE TRIPLE O-RING |
| 140 | ---- | 1 | SPACER, .320X1.005X.179 |
| 141 | ---- | 1 | ARM, NEUTRAL, LH |
| 142 | ---- | 1 | SHCS, 5/16-24 X .875 (PATCH) |
| 147 | 1735483 | 1 | SPRING, Extension (Used on Hydro-Gear P/N ZC-AHBB-2A7B-1DPX and ZC-AHBB-2A7B-1DPX) |
| 156 | 5103589X7 | 1 | AXLE CAP, |
| 157 | ---- | 1 | KIT, GEROTOR SEAL |
| 164 | ---- | 1 | WASHER, 1.355 x 2.035 x .021 FLAT |
| 186 | 5103589X9 | 1 | DEBRIS GUARD HG #53496 |

Transaxle SERVICE Parts - Hydro-Gear ZT3200 (5106643_5106642)

Note: Unless noted otherwise, use the standard torque specifications

Mfg. No: 5902107

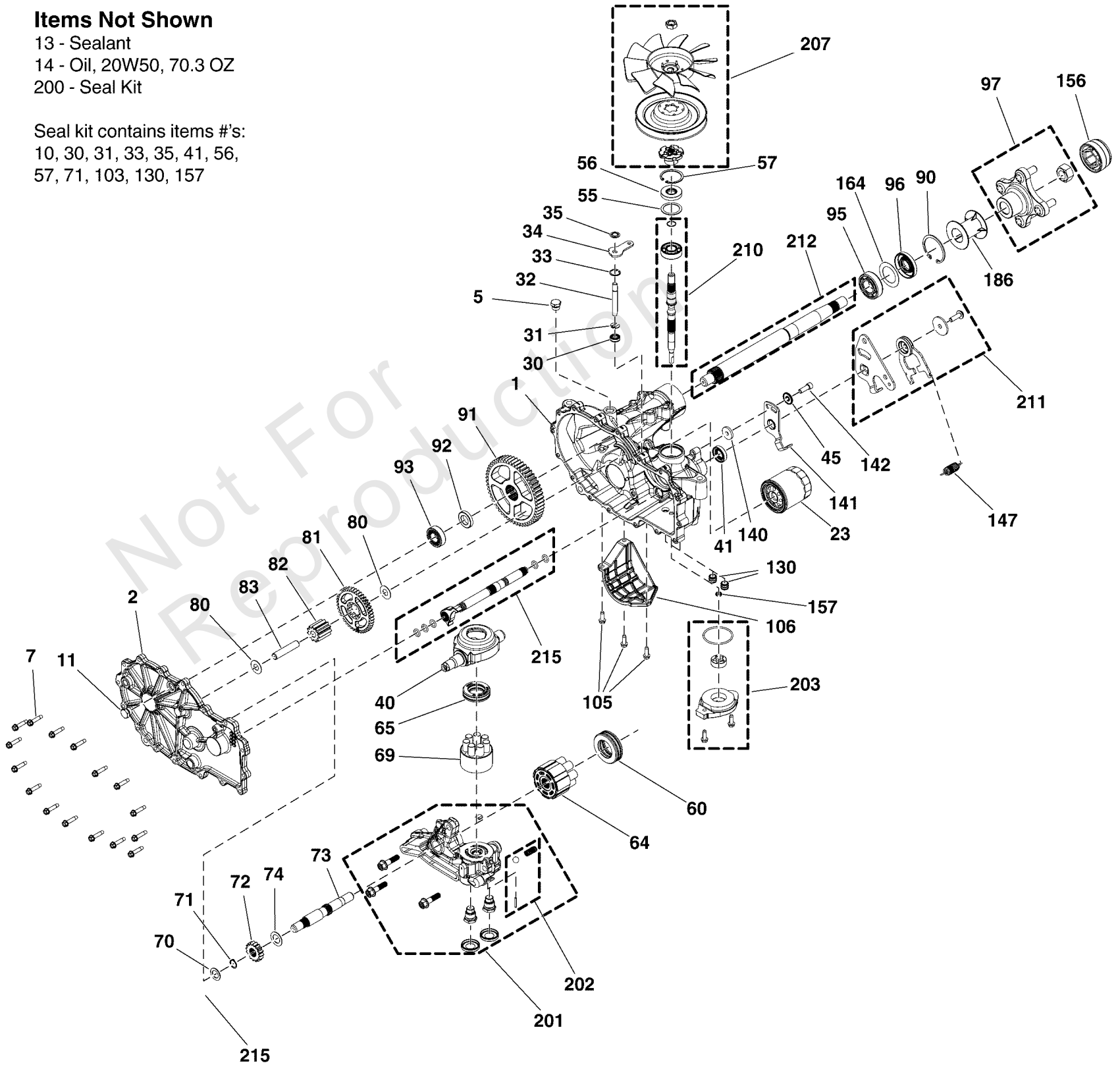
Service Parts Schematic for Hydro-Gear® Transaxles: ZJ-KYEF-8T7C-1GRX (5106642) ZJ-GYEF-8T7B-1GRX (5106643)

For components not listed see your authorized Hydro-Gear® service provider.

Items Not Shown

- 13 - Sealant
- 14 - Oil, 20W50, 70.3 OZ
- 200 - Seal Kit

Seal kit contains items #'s:
10, 30, 31, 33, 35, 41, 56,
57, 71, 103, 130, 157



Transaxle SERVICE Parts - Hydro-Gear ZT3200 (5106643_5106642)

| REF NO | PART NO | QTY | DESCRIPTION |
|--------|-----------|-----|--|
| 200 | 5101026X8 | 1 | KIT SEAL |
| 201 | ----- | 1 | KIT, CENTER SECTION, LH CHARGE |
| 202 | ----- | 1 | KIT, CHARGE RELIEF |
| 203 | ----- | 1 | KIT, CHARGE |
| 207 | ----- | 1 | KIT, FAN/ PULLEY |
| 210 | 5101026X9 | 1 | KIT, INPUT SHAFT |
| 211 | 1735490 | 1 | KIT, L.H. Control Arm |
| 212 | ----- | 1 | SHAFT, AXLE |
| 215 | 5104581X2 | 1 | SEAL KIT BRAKE SHAFT ZT3400 RH 72754 NET |

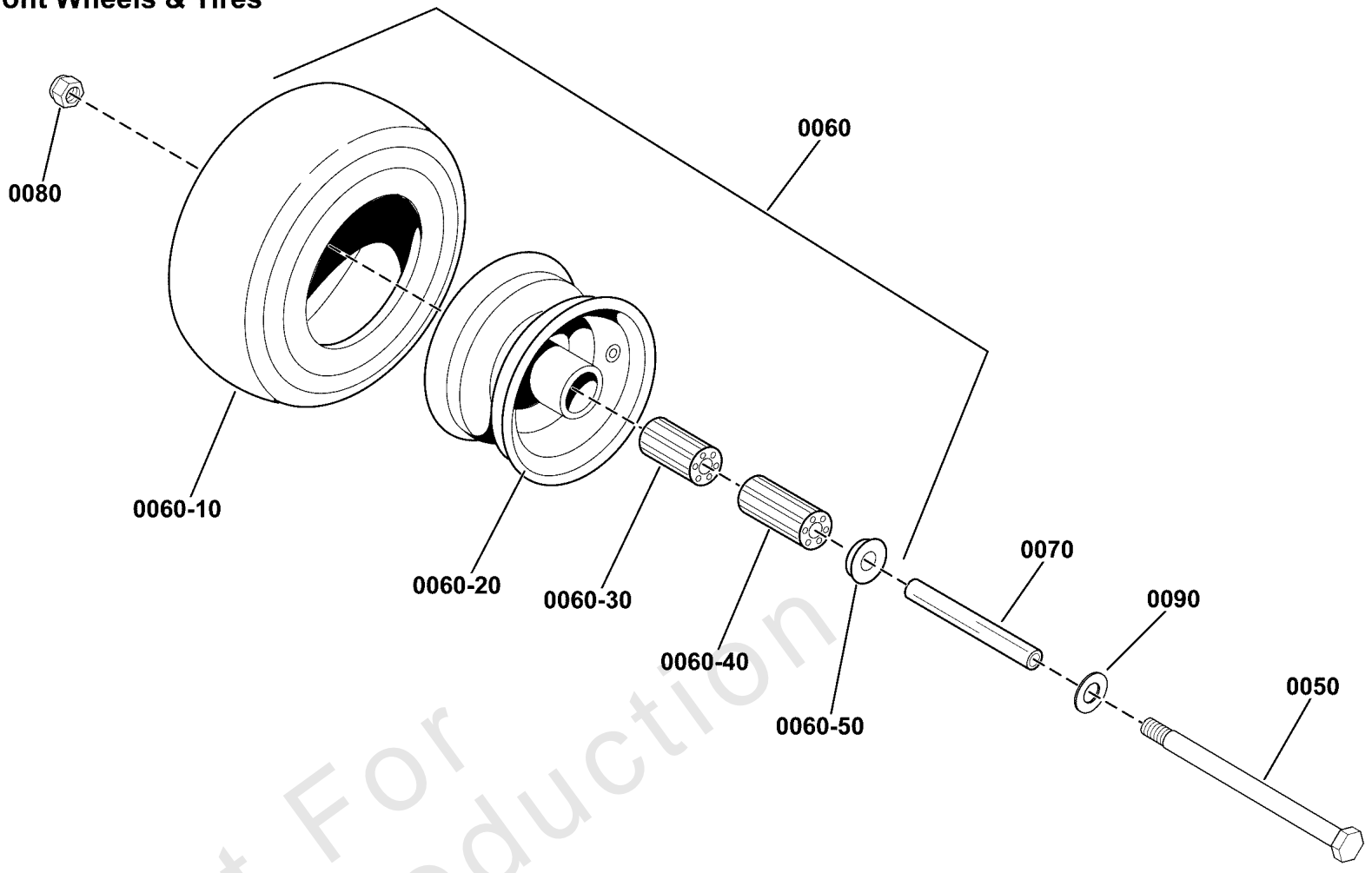
Not For Reproduction

Wheel and Tire Group

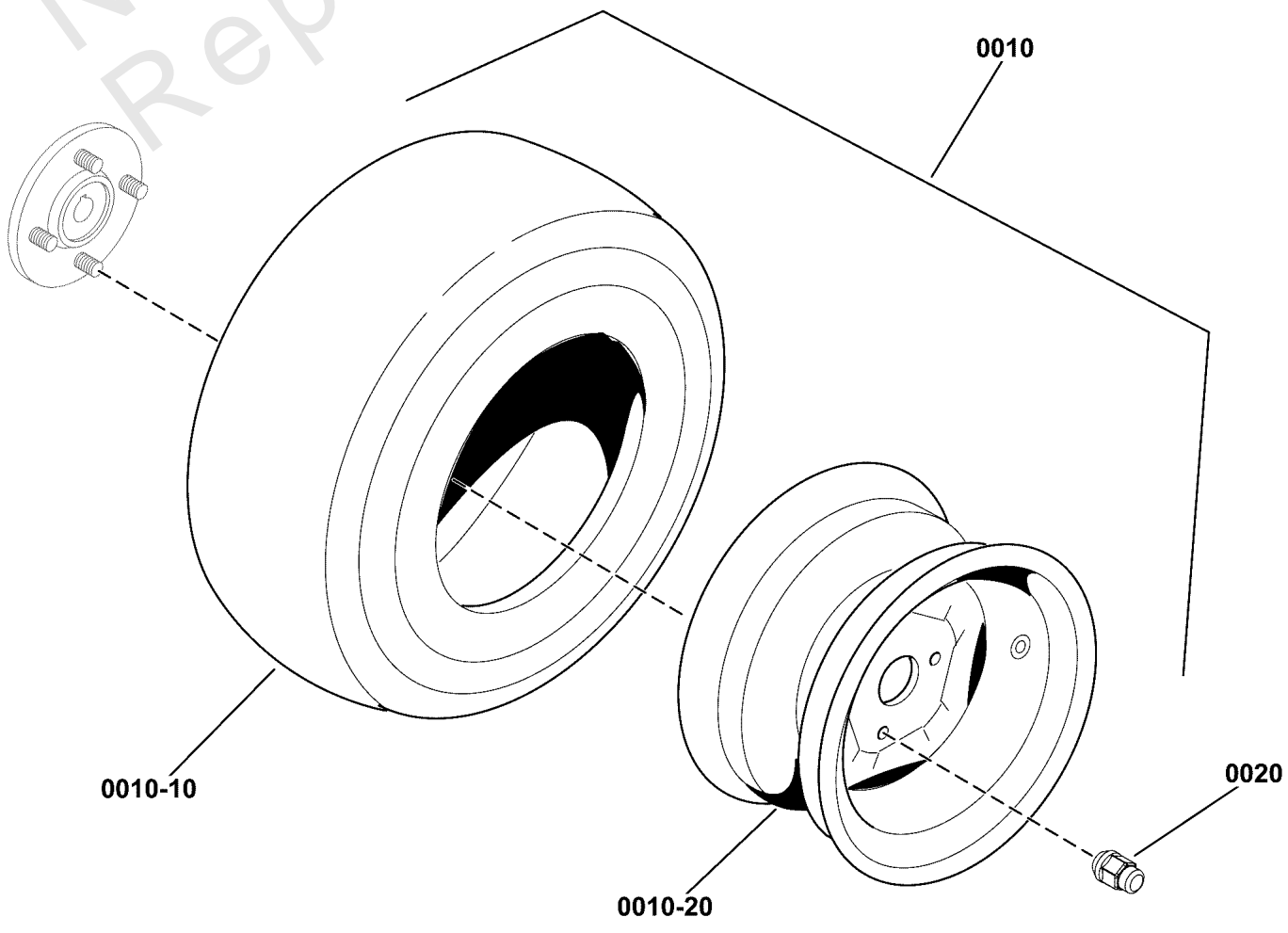
Note: Unless noted otherwise, use the standard torque specifications

Mfg. No: 5902107

Front Wheels & Tires



Rear Wheels & Tires



Wheel and Tire Group

| REF NO | PART NO | QTY | DESCRIPTION |
|---------|------------|-----|---|
| 0010 | 5109047 | 2 | TIRE ASM, 22 X 11 -10 TURF, 4 BOLT, BLK |
| 0010-10 | 5023369X2 | 2 | TIRE, 22 X 11.00 - 10, 4 PLY -(One per tire) |
| 0010-20 | ----- | 2 | WHEEL RIM -(One per tire) |
| 0020 | ----- | 10 | LUG NUT, Black -(Originally Black Lug nut - Replacement 5020601SM is silver in color). |
| 0020 | 5020601SM | 10 | NUT, 1/2-20, FOR WHEEL BOLT SILVER -(Replacement 5020601SM is silver in color). |
| 0050 | 5025017X72 | 2 | BOLT, 1/2-13 X 9" GD5 YZ |
| 0060 | 5109055 | 2 | TIRE ASM, 13 X 6.5-6, RB, BLK, KENDA |
| 0060-10 | 5022577 | 2 | TIRE, RUBBER ONLY -(One per tire) |
| 0060-20 | ----- | 2 | WHEEL RIM |
| 0060-30 | 84008029 | 2 | BEARING -(One per tire) |
| 0060-40 | 5021182 | 2 | BEARING, ROLLER 3/4" ID X 3.25" (ONE PER TIRE)(SV) -(One per tire) |
| 0060-50 | 5021043 | 4 | RETAINER, BEARING (TWO PER TIRE)(SV) |
| 0070 | 5106587 | 2 | CASTER AXLE SHAFT, .51"ID X .75"OD X7.16 |
| 0080 | 5025396 | 2 | NUT, Hex Flange, Nylock, 1/2-13 |
| 0090 | 5025158 | 2 | WASHER, 1/2 SAE |

Hardware Identification & Torque Specifications

| Torque Specification Chart | | | | | | | | |
|--|-----------|------|-----------|------|------------|------|------------|------|
| FOR STANDARD METRIC MACHINE HARDWARE (Tolerance ± 20%) | | | | | | | | |
| Property Class | 5.6 | | 8.8 | | 10.9 | | 12.9 | |
| | Class 5.6 | | Class 8.8 | | Class 10.9 | | Class 12.9 | |
| Size Of Hardware | in/lbs | Nm. | in/lbs | Nm. | in/lbs | Nm. | in/lbs | Nm. |
| | ft/lbs | | ft/lbs | | ft/lbs | | ft/lbs | |
| M3 | 5.88 | .56 | 13.44 | 1.28 | 19.2 | 1.80 | 22.92 | 2.15 |
| M4 | 13.44 | 1.28 | 30.72 | 2.90 | 43.44 | 4.10 | 52.56 | 4.95 |
| M5 | 26.4 | 2.50 | 60.96 | 5.75 | 5.97 | 8.10 | 7.15 | 9.7 |
| M6 | 44.64 | 4.3 | 7.3 | 9.9 | 10.3 | 14 | 12.1 | 16.5 |
| M7 | 5.2 | 7.1 | 12.1 | 16.5 | 16.9 | 23 | 19.9 | 27 |
| M8 | 7.7 | 10.5 | 17.7 | 24 | 25 | 34 | 29 | 40 |
| M10 | 15 | 21 | 35 | 48 | 50 | 67 | 59 | 81 |
| M12 | 26 | 36 | 61 | 83 | 86.2 | 117 | 103 | 140 |
| M14 | 42 | 58 | 101 | 132 | 136 | 185 | 162 | 220 |
| M16 | 64 | 88 | 147 | 200 | 210 | 285 | 250 | 340 |
| M18 | 89 | 121 | 202 | 275 | 287 | 390 | 346 | 470 |
| M20 | 126 | 171 | 290 | 390 | 405 | 550 | 486 | 660 |
| M22 | 169 | 230 | 390 | 530 | 559 | 745 | 656 | 890 |
| M24 | 217 | 295 | 497 | 375 | 708 | 960 | 840 | 1140 |
| M27 | 320 | 435 | 733 | 995 | 1032 | 1400 | 1239 | 1680 |
| M30 | 435 | 590 | 995 | 1350 | 1401 | 1900 | 1681 | 2280 |
| M33 | 590 | 800 | 1349 | 1830 | 1902 | 2580 | 2278 | 3090 |
| M36 | 759 | 1030 | 1740 | 2360 | 2441 | 3310 | 2935 | 3980 |
| M39 | 988 | 1340 | 2249 | 3050 | 3163 | 4290 | 3798 | 5150 |

| Torque Specification Chart | | | | | | |
|---|-------------|-------|-------------|-------|-------------|---------|
| FOR STANDARD MACHINE HARDWARE (Tolerance ± 20%) | | | | | | |
| Hardware Grade | No Marks | | SAE Grade 5 | | SAE Grade 8 | |
| | SAE Grade 2 | | SAE Grade 5 | | SAE Grade 8 | |
| Size Of Hardware | in/lbs | Nm. | in/lbs | Nm. | in/lbs | Nm. |
| | ft/lbs | | ft/lbs | | ft/lbs | |
| 8-32 | 19 | 2.1 | 30 | 3.4 | 41 | 4.6 |
| 8-36 | 20 | 2.3 | 31 | 3.5 | 43 | 4.9 |
| 10-24 | 27 | 3.1 | 43 | 4.9 | 60 | 6.8 |
| 10-32 | 31 | 3.5 | 49 | 5.5 | 68 | 7.7 |
| 1/4-20 | 66 | 7.6 | 8 | 10.9 | 12 | 16.3 |
| 1/4-28 | 76 | 8.6 | 10 | 13.6 | 14 | 19.0 |
| 5/16-18 | 11 | 15.0 | 17 | 23.1 | 25 | 34.0 |
| 5/16-24 | 12 | 16.3 | 19 | 25.8 | 29 | 34.0 |
| 3/8-16 | 20 | 27.2 | 30 | 40.8 | 45 | 61.2 |
| 3/8-24 | 23 | 31.3 | 35 | 47.6 | 50 | 68.0 |
| 7/16-14 | 30 | 40.8 | 50 | 68.0 | 70 | 95.2 |
| 7/16-20 | 35 | 47.6 | 55 | 74.8 | 80 | 108.8 |
| 1/2-13 | 50 | 68.0 | 75 | 102.0 | 110 | 149.6 |
| 1/2-20 | 55 | 74.8 | 90 | 122.4 | 120 | 163.2 |
| 9/16-12 | 65 | 88.4 | 110 | 149.6 | 150 | 204.0 |
| 9/16-18 | 75 | 102.0 | 120 | 163.2 | 170 | 231.2 |
| 5/8-11 | 90 | 122.4 | 150 | 204.0 | 220 | 299.2 |
| 5/8-18 | 100 | 136 | 180 | 244.8 | 240 | 326.4 |
| 3/4-10 | 160 | 217.6 | 260 | 353.6 | 386 | 525.0 |
| 3/4-16 | 180 | 244.8 | 300 | 408.0 | 420 | 571.2 |
| 7/8-9 | 140 | 190.4 | 400 | 544.0 | 600 | 816.0 |
| 7/8-14 | 155 | 210.8 | 440 | 598.4 | 660 | 897.6 |
| 1-8 | 220 | 299.2 | 580 | 788.8 | 900 | 1,244.0 |
| 1-12 | 240 | 326.4 | 640 | 870.4 | 1,000 | 1,360.0 |

The guides and ruler furnished below are designed to help you select the appropriate hardware.



Nut, M8

Thread Diameter (mm)

Inside Diameter (in) Threads per inch

Nut, 1/2-16



Screw, M8- 1.25 x 25

Thread Diameter (mm) Distance between threads (mm) Body Length (mm)

Body Diameter Threads per inch Body Length (in)

Screw, 1/2- 16 x 2



Standard Hardware Sizing

When a washer or nut is identified as 1/2" (M8), this is the *Nominal size*, meaning the *inside diameter* is 1/2 inch (8mm metric thread diameter); if a second number is present it represents the *threads per inch* (distance between threads).

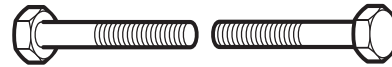
When bolt or capscrew is identified as 1/2 - 16 x 2" (M8 - 1.25 x 50), this means the *Nominal size*, or body diameter is 1/2 inch (8mm metric thread diameter), the second number, 16, represents the *threads per inch*, (*distance between threads*). The final number is the body length of the bolt or screw, 2 inches (50mm).

NOTES

- These torque values are to be used for all hardware excluding: locknuts, self-tapping screws, thread forming screws, sheet metal screws and socket head setscrews.
- Recommended seating torque values for locknuts:
 - for prevailing torque locknuts - use 65% of grade 5 torques.
 - for flange whizlock nuts and screws - use 135% of grade 5 torques.
- Unless otherwise noted on assembly drawings, all torque values must meet this specification.

Common Hardware Types

Hex Head Capscrew



Washer



Carriage Bolt



Hex Nut

Wrench & Fastener Size Guide

| | | | | |
|----------------------------------|----------------------------------|----------------------------------|--|---------------------------------|
| | | | | |
| 1/4" Bolt or Nut Wrench—7/16" | 5/16" Bolt or Nut Wrench—1/2" | 3/8" Bolt or Nut Wrench—9/16" | 7/16" Bolt or Nut Wrench (Bolt)—5/8" Wrench (Nut)—11/16" | 1/2" Bolt or Nut Wrench—3/4" |
| M6 Bolt or Nut Wrench—10mm | M8 Bolt or Nut Wrench—13mm | M10 Bolt or Nut Wrench—17mm | M12 Bolt or Nut Wrench—19mm | M14 Bolt or Nut Wrench—22mm |

